



Positive Lock 197

TE Internal #: 142685-3

Quick Disconnects, Receptacle, 20 – 17 AWG Wire Size, .51 – 1.03 mm<sup>2</sup> Wire Size, Mating Tab Width .2 in [5.08 mm], Straight, Positive Lock 197

[View on TE.com >](#)

Terminals & Splices > Quick Disconnects



Quick Disconnect Terminal Type: **Receptacle**

Wire Size: .51 – 1.03 mm<sup>2</sup>

Mating Tab Width: 5.08 mm [.2 in ]

Mating Tab Thickness: .81 mm [.032 in ]

**Features**

**Product Type Features**

Terminates To	Wire & Cable
Wire Stop	No
Wire/Cable Type	FLK
Insertion Force	Low
Sealable	No

**Configuration Features**

Connection Capacity	Single
---------------------	--------

**Contact Features**

Quick Disconnect Terminal Type	Receptacle
Mating Tab Width	5.08 mm[.2 in]
Mating Tab Thickness	.81 mm[.032 in]
Terminal Orientation	Straight
Contact Base Material	Phosphor Bronze
Terminal Plating Material	Pre-Tin
Crimp Type	F-Crimp



Barrel Type	Open
-------------	------

### Mechanical Attachment

Wire Insulation Support	With
-------------------------	------

### Dimensions

Accepts Wire Insulation Diameter Range	1.3 – 2 mm [.051 – .078 in]
--	-----------------------------

Overall Length	21 mm [.826 in]
----------------	-----------------

Receptacle Terminal Stock Thickness	.41 mm [.016 in]
-------------------------------------	------------------

Wire Size	.51 – 1.03 mm <sup>2</sup>
-----------	----------------------------

### Usage Conditions

Insulation Option	Uninsulated
-------------------	-------------

Operating Temperature Range	-40 – 110 °C [-40 – 230 °F]
-----------------------------	-----------------------------

### Industry Standards

UL Rating	Recognized
-----------	------------

### Packaging Features

Packaging Quantity	4000
--------------------	------

Packaging Method	Strip/Reel
------------------	------------

### Product Compliance

[For compliance documentation, visit the product page on TE.com>](#)

EU RoHS Directive 2011/65/EU	Compliant
------------------------------	-----------

EU ELV Directive 2000/53/EC	Compliant
-----------------------------	-----------

China RoHS 2 Directive MIIT Order No 32, 2016	No Restricted Materials Above Threshold
---	---

EU REACH Regulation (EC) No. 1907/2006	Current ECHA Candidate List: JUNE 2022 (224) Candidate List Declared Against: JAN 2022 (223) SVHC > Threshold: Not Yet Reviewed
--	--

Halogen Content	Low Halogen - Br, Cl, F, I < 900 ppm per homogenous material. Also BFR/CFR/PVC Free
-----------------	---

Solder Process Capability	Not applicable for solder process capability
---------------------------	--

#### Product Compliance Disclaimer

This information is provided based on reasonable inquiry of our suppliers and represents our current actual knowledge based on the information they provided. This information is subject to change. The part numbers that TE has identified as

EU RoHS compliant have a maximum concentration of 0.1% by weight in homogenous materials for lead, hexavalent chromium, mercury, PBB, PBDE, DBP, BBP, DEHP, DIBP, and 0.01% for cadmium, or qualify for an exemption to these limits as defined in the Annexes of Directive 2011/65/EU (RoHS2). Finished electrical and electronic equipment products will be CE marked as required by Directive 2011/65/EU. Components may not be CE marked. Additionally, the part numbers that TE has identified as EU ELV compliant have a maximum concentration of 0.1% by weight in homogenous materials for lead, hexavalent chromium, and mercury, and 0.01% for cadmium, or qualify for an exemption to these limits as defined in the Annexes of Directive 2000/53/EC (ELV). Regarding the REACH Regulation, the information TE provides on SVHC in articles for this part number is based on the latest European Chemicals Agency (ECHA) 'Guidance on requirements for substances in articles' posted at this URL: <https://echa.europa.eu/guidance-documents/guidance-on-reach>

## Compatible Parts



TE Part # 142680-1  
PL MK III 2 POS HOUSING BROEN  
RAL 8016



TE Part # 142680-4  
PL MK III 2 POS HOUSING YELLOW  
RAL 1016



TE Part # 142681-1  
PL MK III 3 POS HOUSING BROEN



TE Part # 142681-4  
PL MK III 3 POS HOUSING YELLOW




TE Part # 142685-5  
L.I.F PL CONTACT 5MM 0.35-1 MM2  
PTPPHBZ



TE Part # 2-2150376-2  
OCEAN-2.0-APPLICATOR-E-  
090F118FA



TE Part # 2150376-2  
OCEAN-2.0-APPLICATOR-E-  
090F118FA



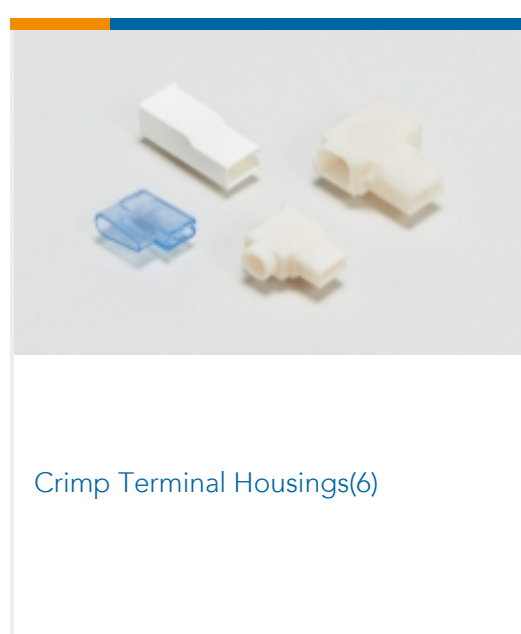
TE Part # 7-2150376-2  
OCEAN-2.0-APPLICATOR-E-  
090F118FA



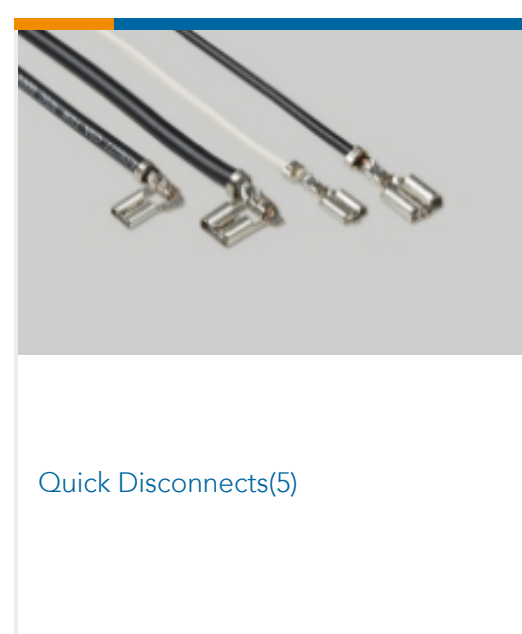
**KIT**  
REPRESENTATION ONLY

TE Part # 7-2150376-7  
OCEAN\_2.0\_SPARE\_PART\_KIT-  
090F118F

## Also in the Series | Positive Lock 197

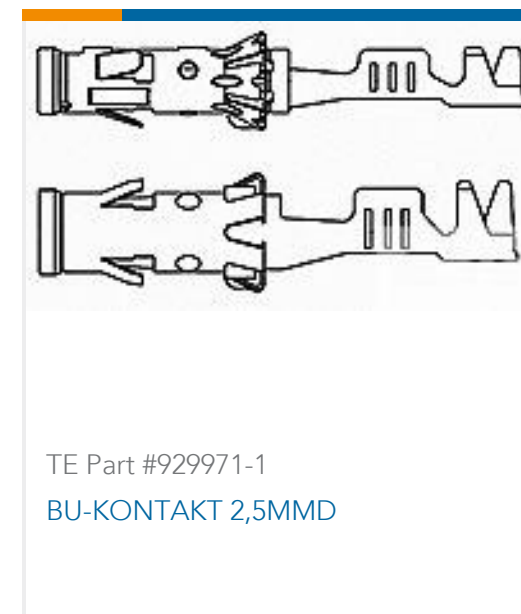
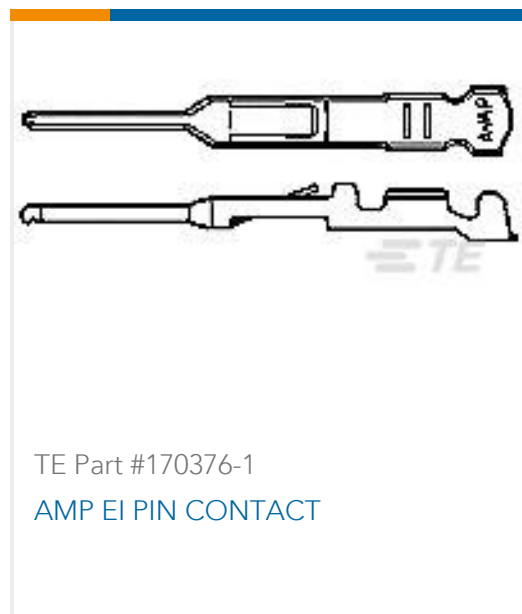


Crimp Terminal Housings(6)



Quick Disconnects(5)

## Customers Also Bought



## Documents

### Product Drawings

[L.I.F PL CONTACT 5MM 0.35-1 MM2 PTPPHBZ](#)

English

### CAD Files

[3D PDF](#)

3D

Customer View Model

[ENG\\_CVM\\_CVM\\_142685-3\\_W.2d\\_dxf.zip](#)

English

Customer View Model

[ENG\\_CVM\\_CVM\\_142685-3\\_W.3d\\_igs.zip](#)

English

Customer View Model

[ENG\\_CVM\\_CVM\\_142685-3\\_W.3d\\_stp.zip](#)

English

By downloading the CAD file I accept and agree to the [Terms and Conditions](#) of use.



**Product Specifications**

**Application Specification**

French

---

**Product Environmental Compliance**

**TE Material Declaration**

English