



Connectors > D-Shaped Connectors > D-Sub Accessories > D-Sub Backshells & Clamps



D-Shaped Connector Accessories: **Cable Crimp Kit**

Cable Insulation Diameter Range: **6 mm [ .236 in ]**

## Features

### Product Type Features

Product Type	Accessory
D-Shaped Connector Accessories	Cable Crimp Kit

### Dimensions

Cable Insulation Diameter Range	6 mm [.236 in]
---------------------------------	----------------

### Packaging Features

Packaging Quantity	100
Packaging Method	Bag

### Other

Comment	Use as an upgrade to standard ADK Series backshell kits.
---------	--

## Product Compliance

[For compliance documentation, visit the product page on TE.com>](#)

EU RoHS Directive 2011/65/EU	Compliant
EU ELV Directive 2000/53/EC	Compliant
China RoHS 2 Directive MIIT Order No 32, 2016	No Restricted Materials Above Threshold
EU REACH Regulation (EC) No. 1907/2006	Current ECHA Candidate List: JUNE 2022 (224)



Candidate List Declared Against: JUNE 2022 (224)

Does not contain REACH SVHC

Halogen Content

Low Halogen - Br, Cl, F, I < 900 ppm per homogenous material. Also BFR/CFR/PVC Free

Solder Process Capability

Not applicable for solder process capability

Product Compliance Disclaimer

This information is provided based on reasonable inquiry of our suppliers and represents our current actual knowledge based on the information they provided. This information is subject to change. The part numbers that TE has identified as EU RoHS compliant have a maximum concentration of 0.1% by weight in homogenous materials for lead, hexavalent chromium, mercury, PBB, PBDE, DBP, BBP, DEHP, DIBP, and 0.01% for cadmium, or qualify for an exemption to these limits as defined in the Annexes of Directive 2011/65/EU (RoHS2). Finished electrical and electronic equipment products will be CE marked as required by Directive 2011/65/EU. Components may not be CE marked. Additionally, the part numbers that TE has identified as EU ELV compliant have a maximum concentration of 0.1% by weight in homogenous materials for lead, hexavalent chromium, and mercury, and 0.01% for cadmium, or qualify for an exemption to these limits as defined in the Annexes of Directive 2000/53/EC (ELV). Regarding the REACH Regulation, the information TE provides on SVHC in articles for this part number is based on the latest European Chemicals Agency (ECHA) 'Guidance on requirements for substances in articles' posted at this URL: <https://echa.europa.eu/guidance-documents/guidance-on-reach>

### Compatible Parts



TE Part # 5-1478764-1  
Crimp kit 6.0mm-KIT



TE Part # 1583684-1  
DIE SET D CONN SIZE 7.0

### Customers Also Bought



TE Part #205205-2  
CRIMP SNAP RCPT ASSY,SIZE 2



TE Part #1-66505-0  
20 DF SCKT CONT



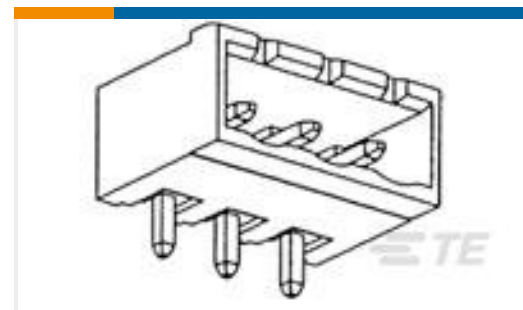
TE Part #1-2308272-1  
CABLE CLAMPS (CASE RAW)



TE Part #52041-1  
TERMINAL,R PG 8 1/4



TE Part #52291  
TERMINAL R PG 8 5/16



TE Part #1-796638-0  
10POS 5.08MM CE R/A HDR,TRM BK



TE Part #5052942064  
RNF-100-3/32-0-STK



TE Part #5052892055  
RNF-100-1/16-0-STK



TE Part #63699-1  
ADAPTER 187 FASTON TPBR



TE Part #D33050-000  
203W301-25-0

## Documents

### Product Drawings

#### CRIMP KIT 6.0MM

English

### CAD Files

#### 3D PDF

3D

#### Customer View Model

[ENG\\_CVM\\_CVM\\_1478764-1\\_D.2d\\_dxf.zip](#)

English

#### Customer View Model

[ENG\\_CVM\\_CVM\\_1478764-1\\_D.3d\\_igs.zip](#)

English

#### Customer View Model

[ENG\\_CVM\\_CVM\\_1478764-1\\_D.3d\\_stp.zip](#)

English

By downloading the CAD file I accept and agree to the [Terms and Conditions](#) of use.

### Product Specifications

#### Product Specification

English