

1443996-3 ✓ ACTIVE

TE Internal #: 1443996-3

Hard Wired Box Accessories, Cover, IP67, 27 / 38 / 49 Position, .307 in / .32 in [7.8 mm / 8.13 mm] Centerline, Sealable, -40 – 125 °C [-40 – 257 °F]

[View on TE.com >](#)



Connectors > Automotive Connectors > Power Distribution Boxes > Hard Wired Box Accessories



Hardware Accessory Type: **Cover**

IP Rating: **IP67**

Number of Positions: **27, 38, 49, 60**

Centerline (Pitch): **7.8 mm, 8.13 mm [.307 in, .32 in]**

Sealable: **Yes**

Features

Product Type Features

Hardware Accessory Type	Cover
Sealable	Yes

Configuration Features

Number of Positions	27, 38, 49, 60
---------------------	----------------

Housing Features

Centerline (Pitch)	7.8 mm, 8.13 mm [.307 in][.32 in]
--------------------	-----------------------------------

Usage Conditions

Operating Temperature Range	-40 – 125 °C [-40 – 257 °F]
-----------------------------	-----------------------------

Industry Standards

IP Rating	IP67
-----------	------

Product Compliance

[For compliance documentation, visit the product page on TE.com>](#)

EU RoHS Directive 2011/65/EU	Compliant
------------------------------	-----------



EU ELV Directive 2000/53/EC	Compliant
China RoHS 2 Directive MIIT Order No 32, 2016	No Restricted Materials Above Threshold
EU REACH Regulation (EC) No. 1907/2006	Current ECHA Candidate List: JUNE 2022 (224) Candidate List Declared Against: JUL 2021 (219) SVHC > Threshold: Not Yet Reviewed
Halogen Content	Low Halogen - Br, Cl, F, I < 900 ppm per homogenous material. Also BFR/CFR/PVC Free
Solder Process Capability	Not applicable for solder process capability

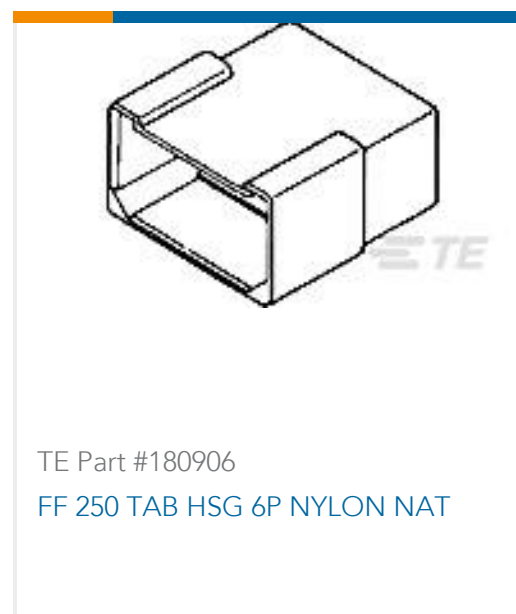
Product Compliance Disclaimer

This information is provided based on reasonable inquiry of our suppliers and represents our current actual knowledge based on the information they provided. This information is subject to change. The part numbers that TE has identified as EU RoHS compliant have a maximum concentration of 0.1% by weight in homogenous materials for lead, hexavalent chromium, mercury, PBB, PBDE, DBP, BBP, DEHP, DIBP, and 0.01% for cadmium, or qualify for an exemption to these limits as defined in the Annexes of Directive 2011/65/EU (RoHS2). Finished electrical and electronic equipment products will be CE marked as required by Directive 2011/65/EU. Components may not be CE marked. Additionally, the part numbers that TE has identified as EU ELV compliant have a maximum concentration of 0.1% by weight in homogenous materials for lead, hexavalent chromium, and mercury, and 0.01% for cadmium, or qualify for an exemption to these limits as defined in the Annexes of Directive 2000/53/EC (ELV). Regarding the REACH Regulation, the information TE provides on SVHC in articles for this part number is based on the latest European Chemicals Agency (ECHA) 'Guidance on requirements for substances in articles' posted at this URL: <https://echa.europa.eu/guidance-documents/guidance-on-reach>

Compatible Parts

 <p>TE Part # 828922-1 2,5MM CAVITY PLUG FOR 5,4MM DI</p>	 <p>TE Part # 828905-1 SINGLE-WIRE-SEAL(5MM HOLE)</p>	 <p>TE Part # CAT-AM7-FRB69 Sealed Fuse and Relay Boxes</p>	 <p>TE Part # 1-968857-1 AMP MCP 2.8, CONTACT SWS</p>
 <p>TE Part # 1443998-1 FUSE PULLER</p>	 <p>TE Part # 2304643-3 27POS, HYBRID, REC HSG ASSY, SLD</p>	 <p>TE Part # 2293416-1 ISO FUSE AND RELAY, 38 POSNUNSLD BASE</p>	

Customers Also Bought



Documents

Product Drawings

[COVER, 60 POSITION - NO EXTERIOR TEXT](#)

English

CAD Files

[3D PDF](#)

English

[Customer View Model](#)

[ENG_CVM_1443996-3_A1.2d_dxf.zip](#)

English

[Customer View Model](#)

[ENG_CVM_1443996-3_A1.3d_igs.zip](#)

English

[Customer View Model](#)

[ENG_CVM_1443996-3_A1.3d_stp.zip](#)

English

By downloading the CAD file I accept and agree to the [Terms and Conditions](#) of use.

Datasheets & Catalog Pages

[ICT Fuse and Relay Enclosures](#)

English

Product Specifications

[Product Specification](#)

English