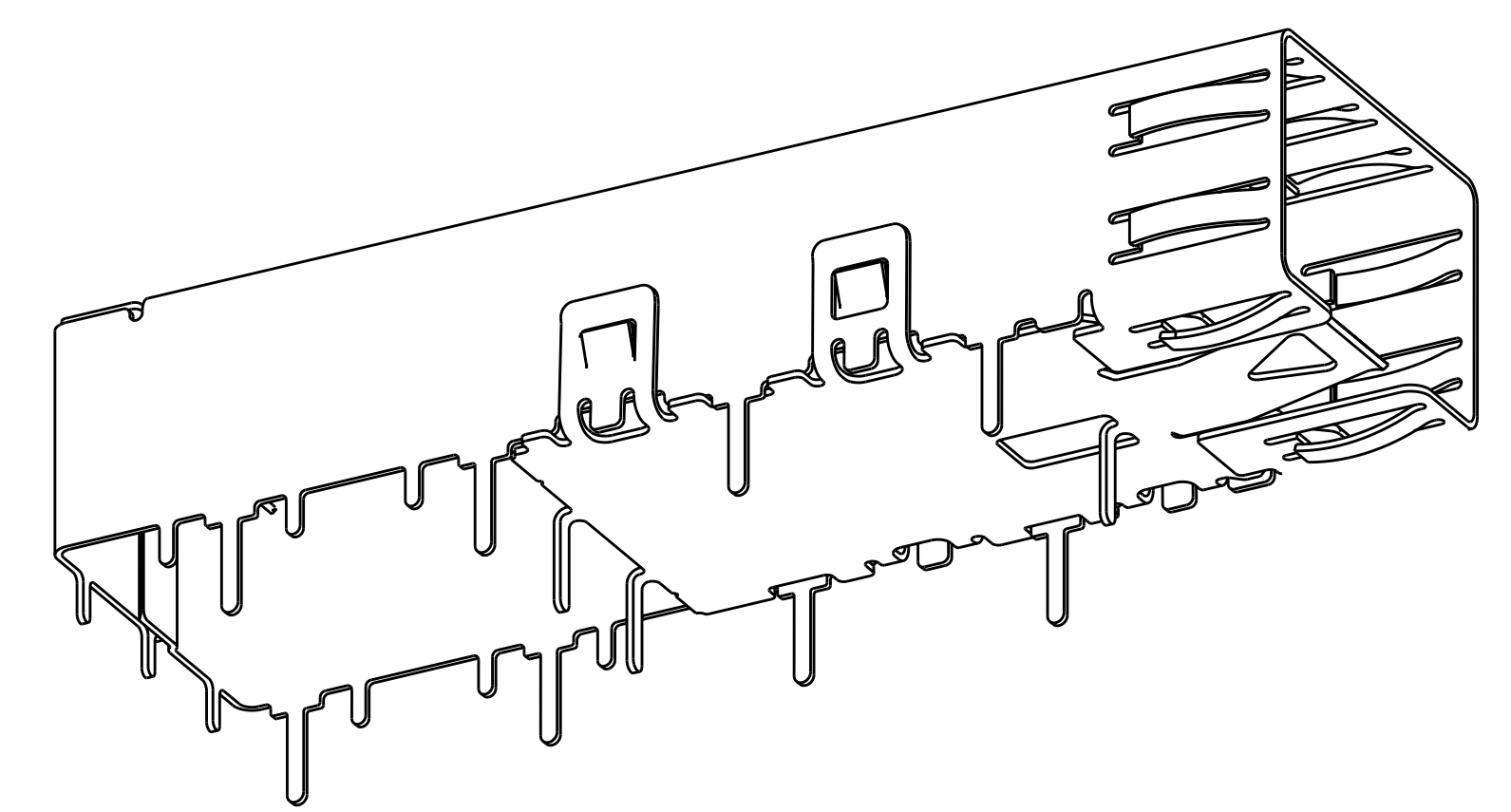
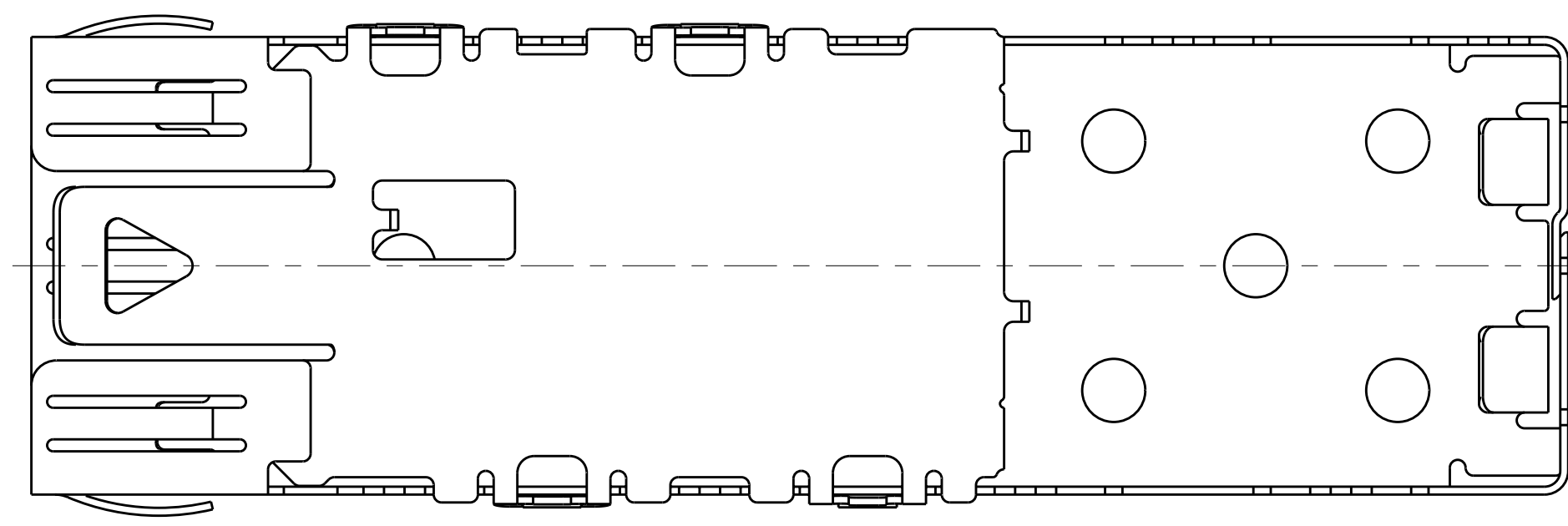
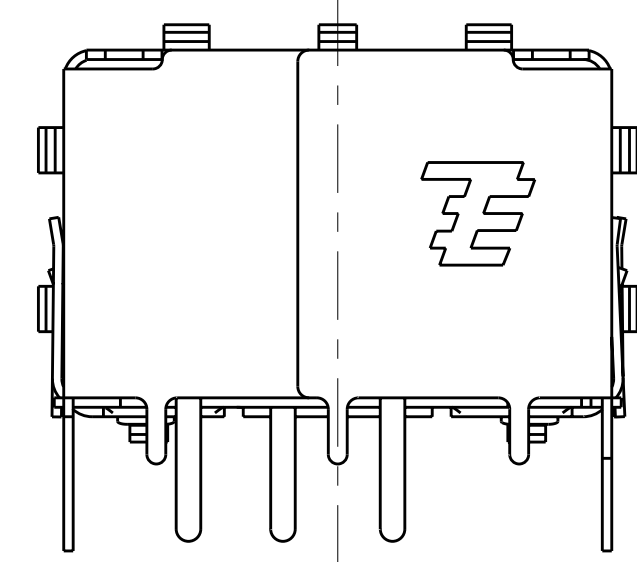
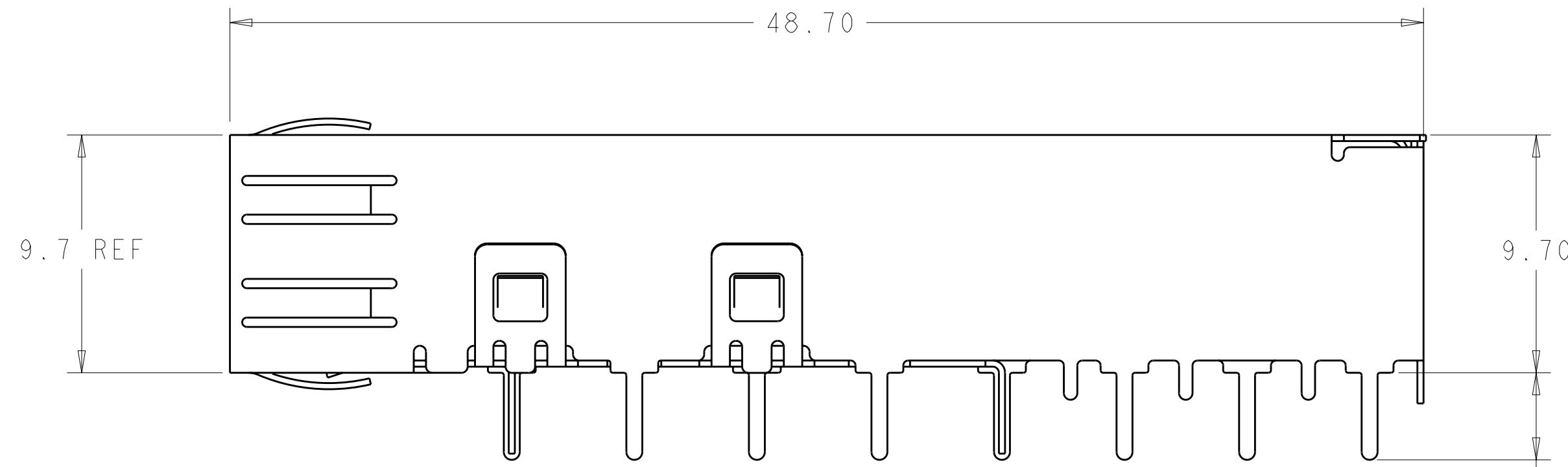
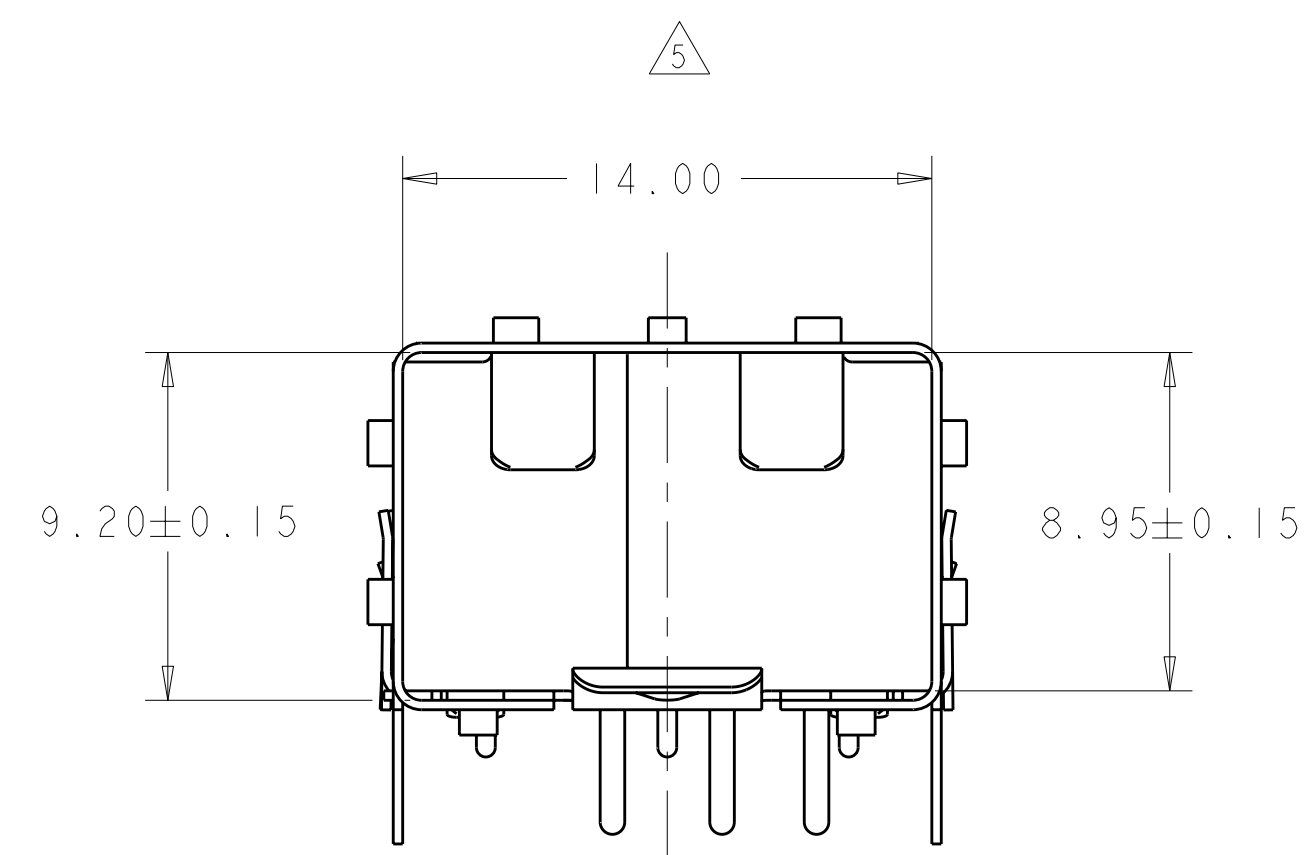
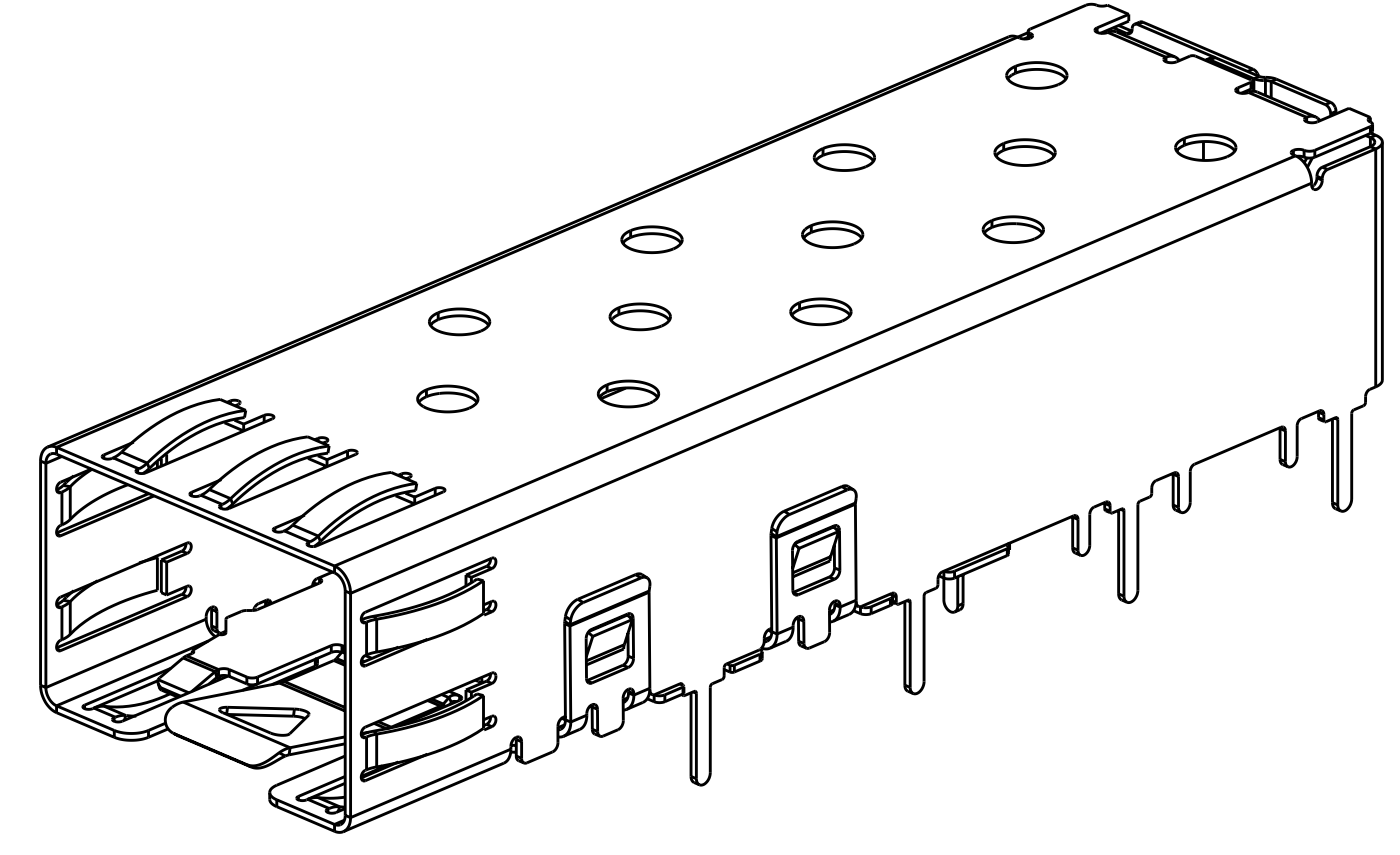
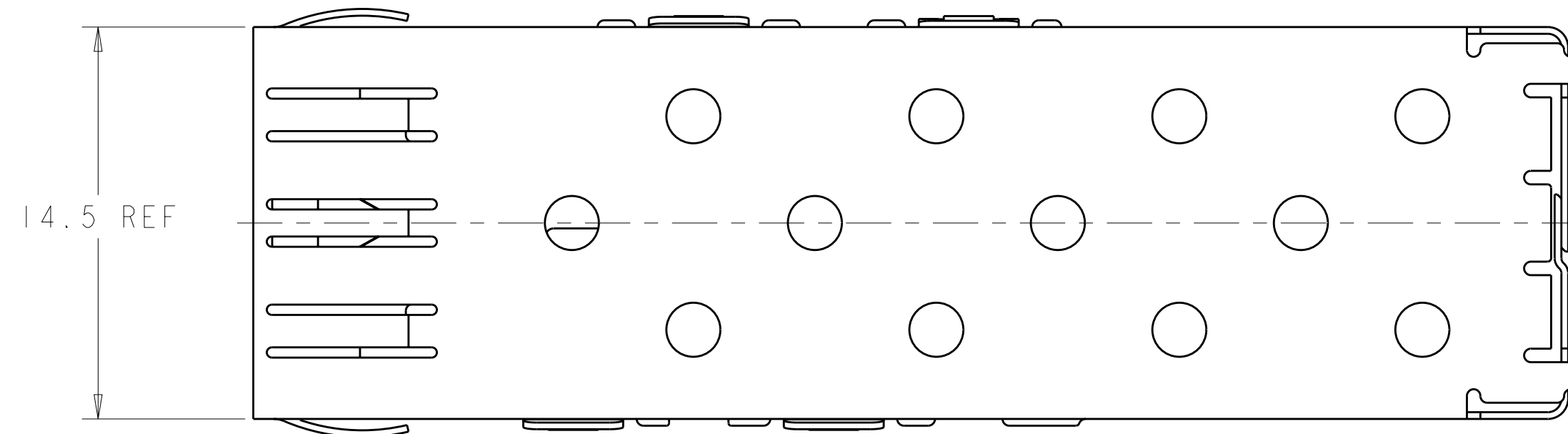


LOC	DIST	REVISIONS			
REV	DATE	DESCRIPTION	DATE	DWN	APVD
ES	00				
A6		REVISED PER ECO-11-005033	18MAR2011	RK	HMR



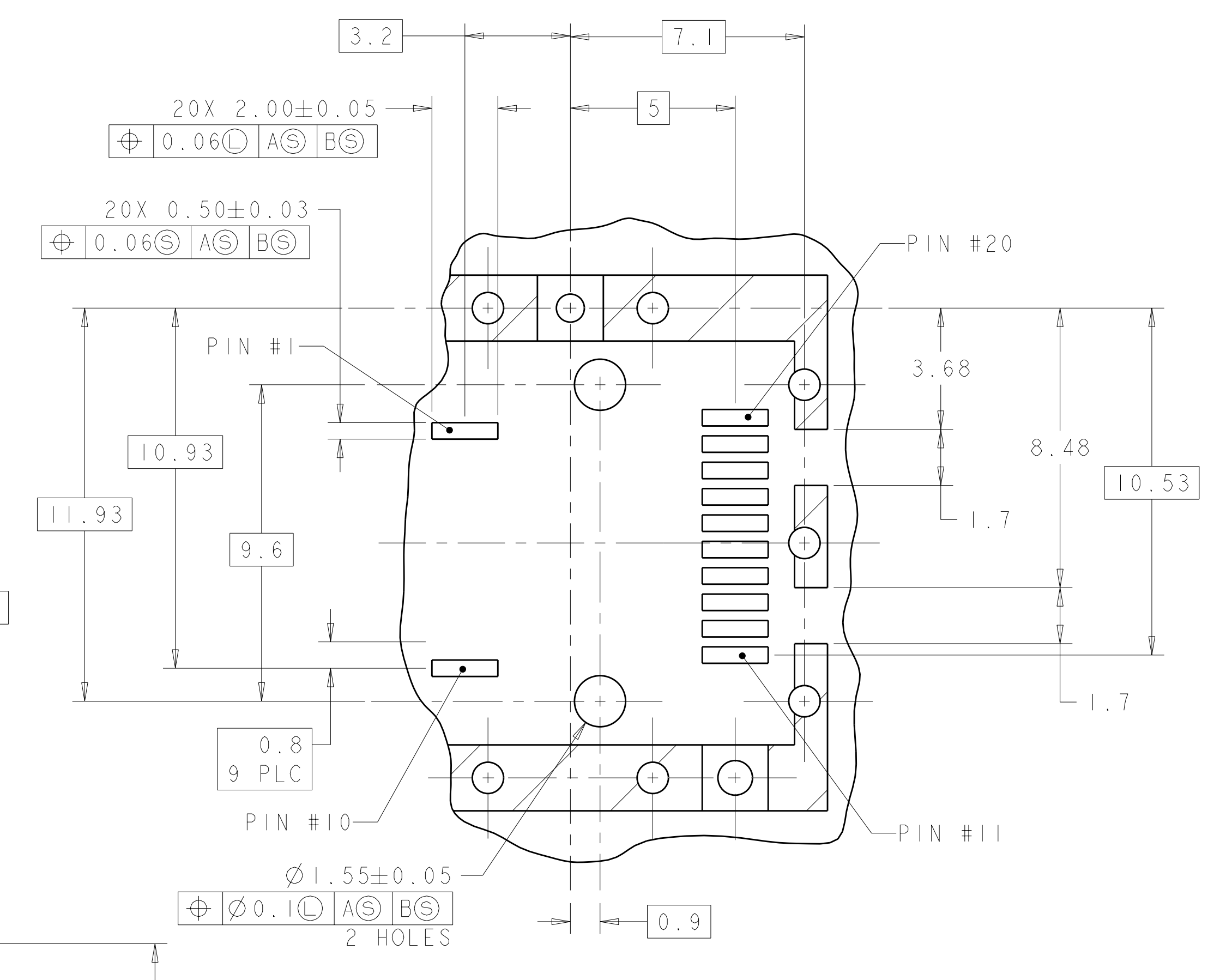
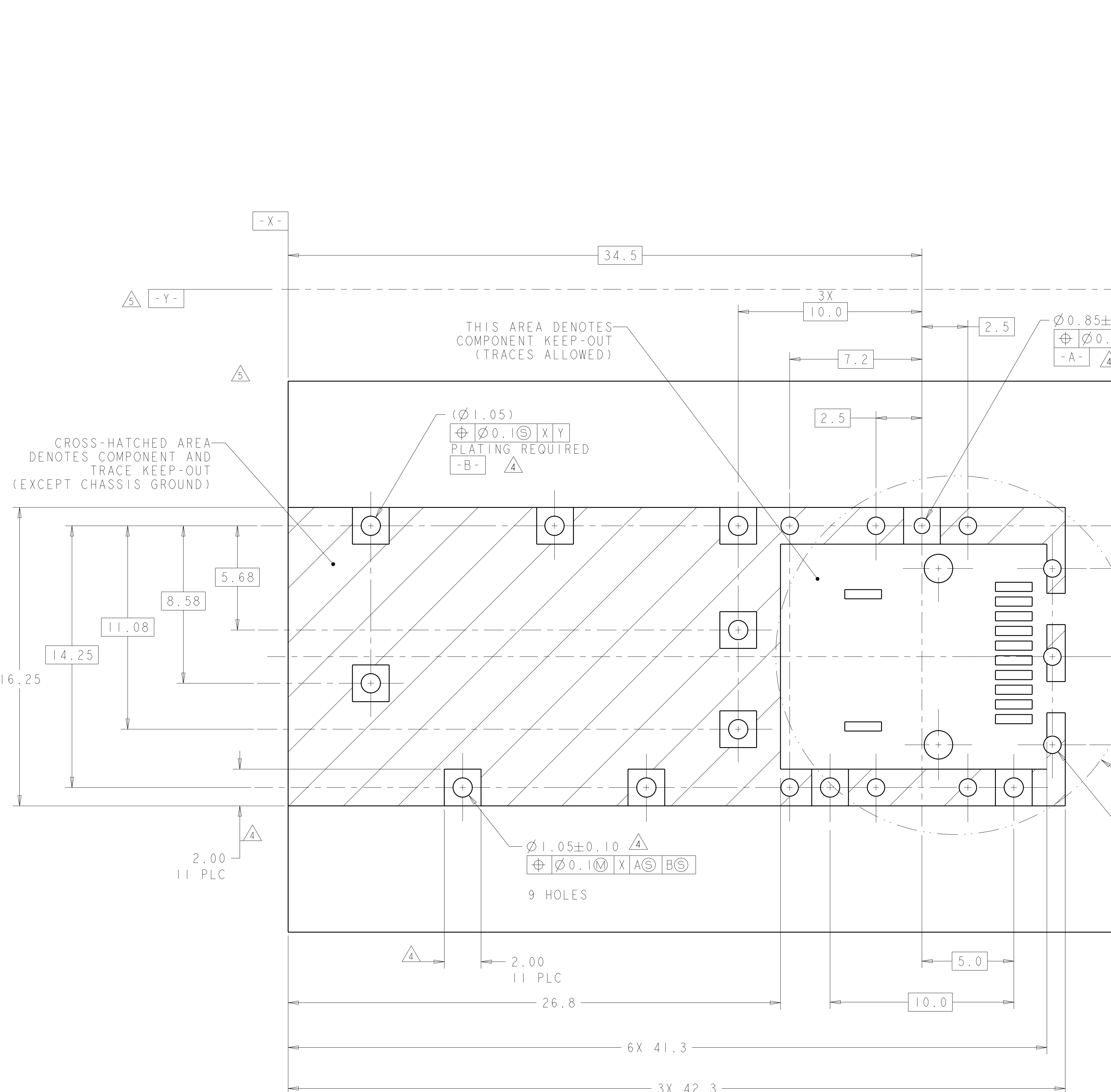
- 1 0.25 THICK COPPER ALLOY.
- 2 TIN OVER NICKEL. NONPLATED EDGES PERMISSIBLE.
- 3. SFP MSA COMPATIBLE.
- 4 PADS AND VIAS CHASSIS GROUND.
- 5 DATUM AND BASIC DIMENSION ESTABLISHED BY CUSTOMER.

TRAY	1.80	1489962-4
REEL	1.80	1489962-3
TRAY	3.55	1489962-1
PACKAGING	DIM AA	PART NUMBER

THIS DRAWING IS A CONTROLLED DOCUMENT.		DWN: J. GERACE 11JUL02	TE Connectivity	
DIMENSIONS: mm		CHK: J. KOPPENHEFFER 08JAN03	NAME: CAGE ASSEMBLY, SOLDER PIN, SFP	
TOLERANCES UNLESS OTHERWISE SPECIFIED:		APVD: M. WALMSLEY 08JAN03	PRODUCT SPEC: 108-1950	
0 PLC ±		APPLICATION SPEC: 114-13017		
1 PLC ±0.10		SIZE: A100779 C=1489962		
2 PLC ±		RESTRICTED TO: -		
3 PLC ±		SCALE: 5:1 SHEET 1 OF 3 REV: A6		
4 PLC ±		CUSTOMER DRAWING		
ANGLES ±				
FINISH				

LOC	DIST	REV	DATE	BY	APPROV
ES	00				

REVISIONS		DATE	BY	APPROV
1	SEE SHEET 1			

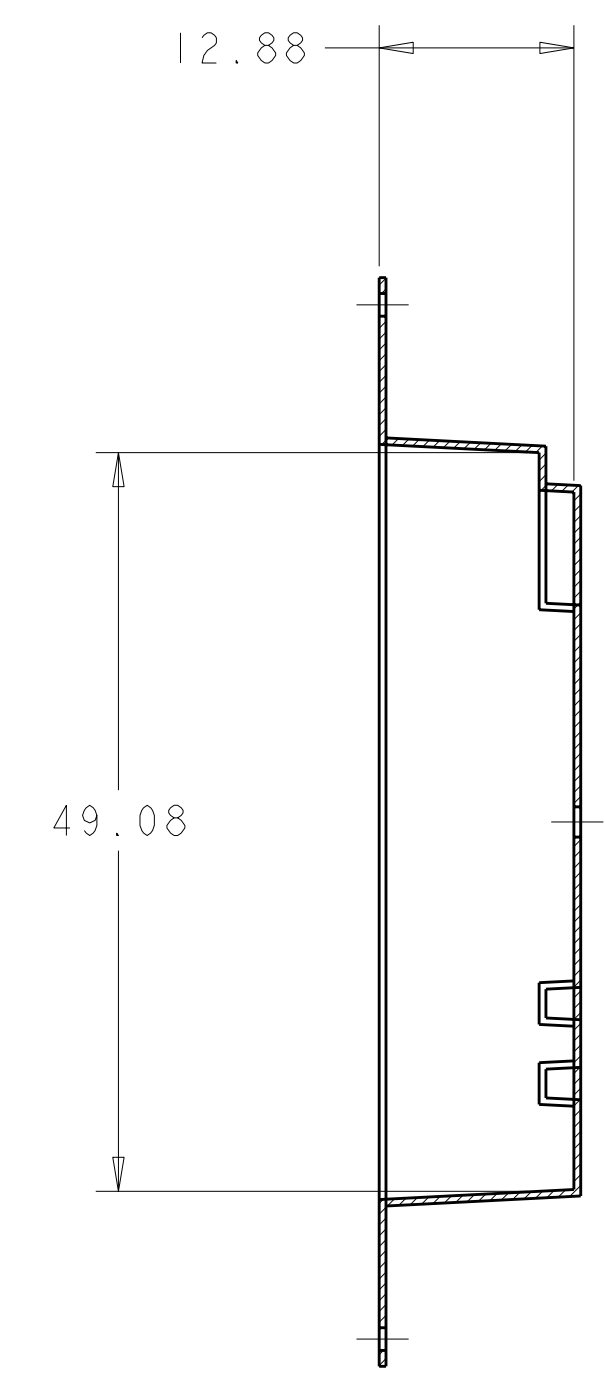
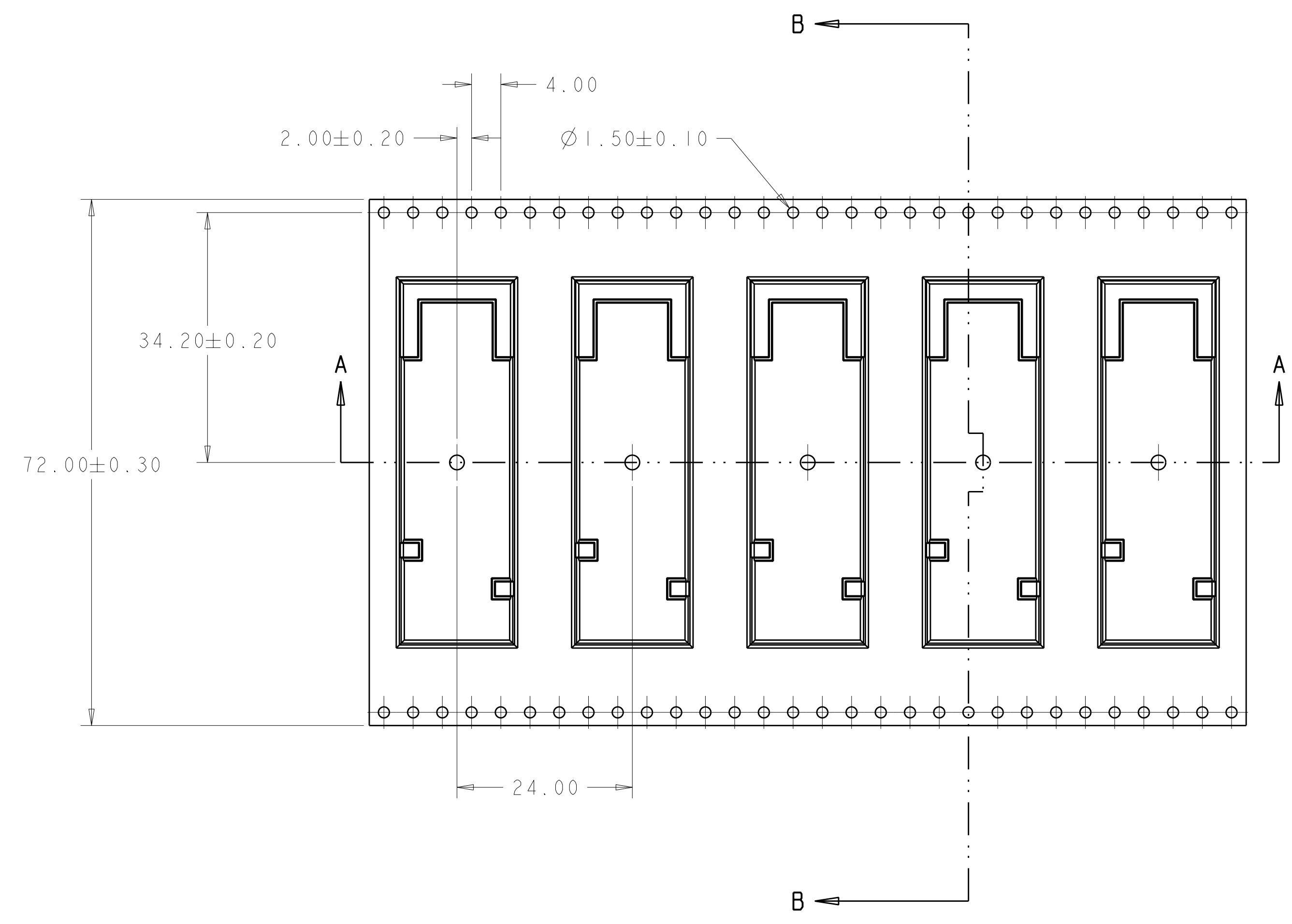


DETAIL G
 SCALE 8:1

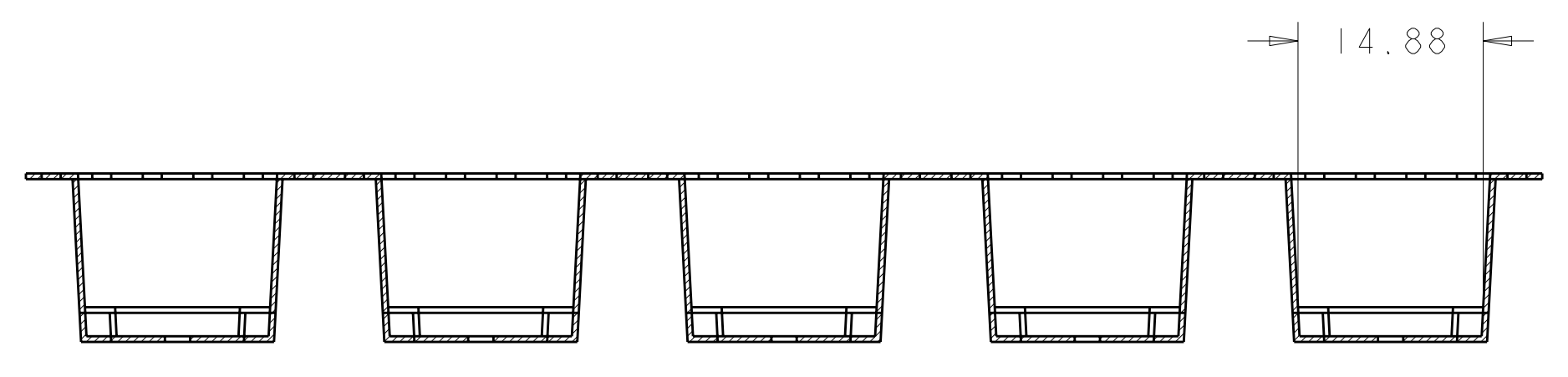
RECOMMENDED PCB LAYOUT
 SCALE 8:1

THIS DRAWING IS A CONTROLLED DOCUMENT.		OWN: J. GERACE 11JUL02	TE Connectivity
DIMENSIONS: mm		CHK: J. KOPPENHEFFER 08JAN03	
TOLERANCES UNLESS OTHERWISE SPECIFIED:		APVD: M. WALMSLEY 08JAN03	NAME: CAGE ASSEMBLY, SOLDER PIN, SFP
9 PLC ± 5 PLC ±0.10 4 PLC ± ANGLES ±		PRODUCT SPEC: 108-1950	SIZE: CAGE CODE DRAWING NO: A100779C=1489962
MATERIAL: FINISH:		APPLICATION SPEC: 114-13017	RESTRICTED TO:
		WEIGHT:	CUSTOMER DRAWING
		SCALE: 5:1	SHEET 2 OF 3
			REV A6

LOC	DIST	REVISIONS			
ES	00	REV	DATE	DWN	APVD
		-	SEE SHEET 1	-	-



SECTION B-B



SECTION A-A

1489962-3 REEL PACKAGING

THIS DRAWING IS A CONTROLLED DOCUMENT.		DWN: J. GERACE 11JUL02	TE Connectivity	
DIMENSIONS: mm		CHK: J. KOPPENHEFFER 08JAN03		
TOLERANCES UNLESS OTHERWISE SPECIFIED:		APVD: M. WALMSLEY 08JAN03	NAME: CAGE ASSEMBLY, SOLDER PIN, SFP	
0 PLC ± 1 PLC ± 2 PLC ±0.10 3 PLC ± 4 PLC ± ANGLES ±		PRODUCT SPEC: 108-1950	SIZE: A100779	
MATERIAL: FINISH:		APPLICATION SPEC: 114-13017	DRAWING NO: C=1489962	
		WEIGHT: CUSTOMER DRAWING	RESTRICTED TO: -	
		SCALE: 5:1	SHEET 3 OF 3 REV A6	