

142754-1 ✓ ACTIVE

TE Internal #: 142754-1

Automotive Terminals, Tab, Mating Tab Width 2.8 mm [.11 in], Tab Thickness .031 in [.8 mm], 22 – 17 AWG Wire Size, .35 – 1 mm² Wire Size

[View on TE.com >](#)



Terminals & Splices > Automotive Terminals



Terminal Type: **Tab**

Mating Tab Width: **2.8 mm [.11 in]**

Mating Tab Thickness: **.8 mm [.031 in]**

Terminal Transmits: **0 – 24 A (Low Power)**

Wire Size: **22 – 17 AWG**

Features

Product Type Features

Sealable	No
----------	----

Contact Features

Contact Size	2.8mm
Contact Fabrication	Stamped & Formed
Crimp Type	F-Crimp
Terminal Type	Tab
Mating Tab Width	2.8 mm[.11 in]
Mating Tab Thickness	.8 mm[.031 in]
Interface Plating	Tin (Sn)
Contact Termination Area Plating Material	Tin (Sn)

Termination Features

Termination Method to Wire & Cable	Crimp
Product Terminates To	Wire

Dimensions

Wire Size	.35 – 1 mm ²
Wire Size Search	17 AWG, 18 AWG, 19 AWG, 20 AWG, 21 AWG, 22 AWG
Tab Length	26.6 mm[1.05 in]
Wire Insulation Diameter	1.2 – 2.1 mm[.047 – .082 in]



Usage Conditions

Insulation Option	Uninsulated
-------------------	-------------

Operation/Application

Compatible With Wire Base Material	Copper
------------------------------------	--------

Packaging Features

Packaging Method	Reel
Packaging Quantity	6000

Other

Customer Preferred Contact	No
Terminal Transmits	0 – 24 A (Low Power)

Product Compliance

[For compliance documentation, visit the product page on TE.com>](#)

EU RoHS Directive 2011/65/EU	Compliant
EU ELV Directive 2000/53/EC	Compliant
China RoHS 2 Directive MIIT Order No 32, 2016	No Restricted Materials Above Threshold
EU REACH Regulation (EC) No. 1907/2006	Current ECHA Candidate List: JUNE 2022 (224) Candidate List Declared Against: JAN 2022 (223) SVHC > Threshold: Not Yet Reviewed
Halogen Content	Low Halogen - Br, Cl, F, I < 900 ppm per homogenous material. Also BFR/CFR/PVC Free
Solder Process Capability	Not reviewed for solder process capability

Product Compliance Disclaimer

This information is provided based on reasonable inquiry of our suppliers and represents our current actual knowledge based on the information they provided. This information is subject to change. The part numbers that TE has identified as EU RoHS compliant have a maximum concentration of 0.1% by weight in homogenous materials for lead, hexavalent chromium, mercury, PBB, PBDE, DBP, BBP, DEHP, DIBP, and 0.01% for cadmium, or qualify for an exemption to these limits as defined in the Annexes of Directive 2011/65/EU (RoHS2). Finished electrical and electronic equipment products will be CE marked as required by Directive 2011/65/EU. Components may not be CE marked. Additionally, the part numbers that TE has identified as EU ELV compliant have a maximum concentration of 0.1% by weight in homogenous materials for lead, hexavalent chromium, and mercury, and 0.01% for cadmium, or qualify for an exemption to these limits as defined in the Annexes of Directive 2000/53/EC (ELV). Regarding the REACH Regulation, the information TE provides on SVHC in articles for this part number is based on the latest European Chemicals Agency (ECHA) 'Guidance on requirements for substances in articles' posted at this URL: <https://echa.europa.eu/guidance-documents/guidance-on-reach>

Compatible Parts



TE Part # 2-2150076-2
OC-PA-E-FA-070F110F-001-0218



TE Part # 2150076-2
OC-AT-E-FA-070F110F-001-0218



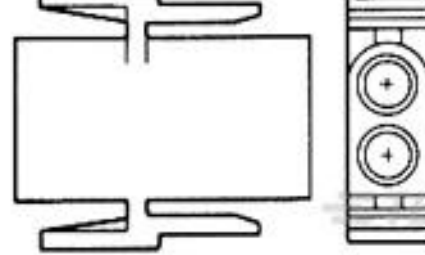
KIT
REPRESENTATION ONLY

TE Part # 7-2150076-7
OC-070F110F-CRIMPTOOLINGKIT

Customers Also Bought



TE Part #282375-1
070 MULTILOCK RCPT CONT



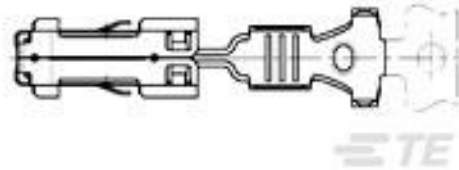
TE Part #1-350344-0
02P .140 MNL PLUG NAT



TE Part #927843-2
.140 SOCKET




TE Part #929941-3
JPT REC 2.8 Contact SWS Sn




TE Part #1703034-1
SENSOR CONTACT 2,8




TE Part #CS4794-000
FLTWC0311-18-8




TE Part #3-1768382-4
LBF-79252243



TE Part #4-1768390-2
LBF-79452929



TE Part #9-1768079-4
LBF-79250508C



TE Part #9-1768384-0
LBF-79218395D

Documents

Product Drawings
MIC IV COSI CONT

English

CAD Files

3D PDF

English



Customer View Model

[ENG_CVM_142754-1_E.3d_igs.zip](#)

English

Customer View Model

[ENG_CVM_142754-1_E.3d_stp.zip](#)

English

Customer View Model

[ENG_CVM_142754-1_E.2d_dxf.zip](#)

English

By downloading the CAD file I accept and agree to the [Terms and Conditions](#) of use.

Product Specifications

[Application Specification](#)

French

[Application Specification](#)

English

[SURMOULAGE DES CONNECTEURS MIC IV PORTE LANGUETTES ETANCHES](#)

English