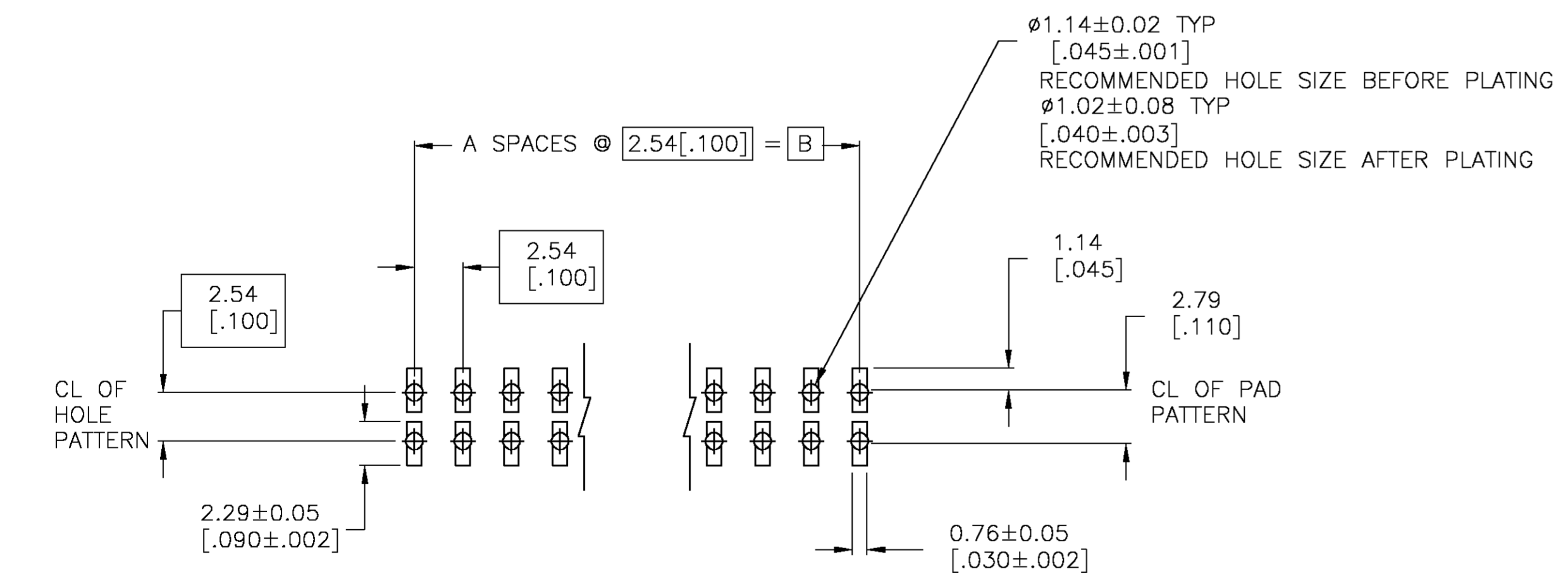
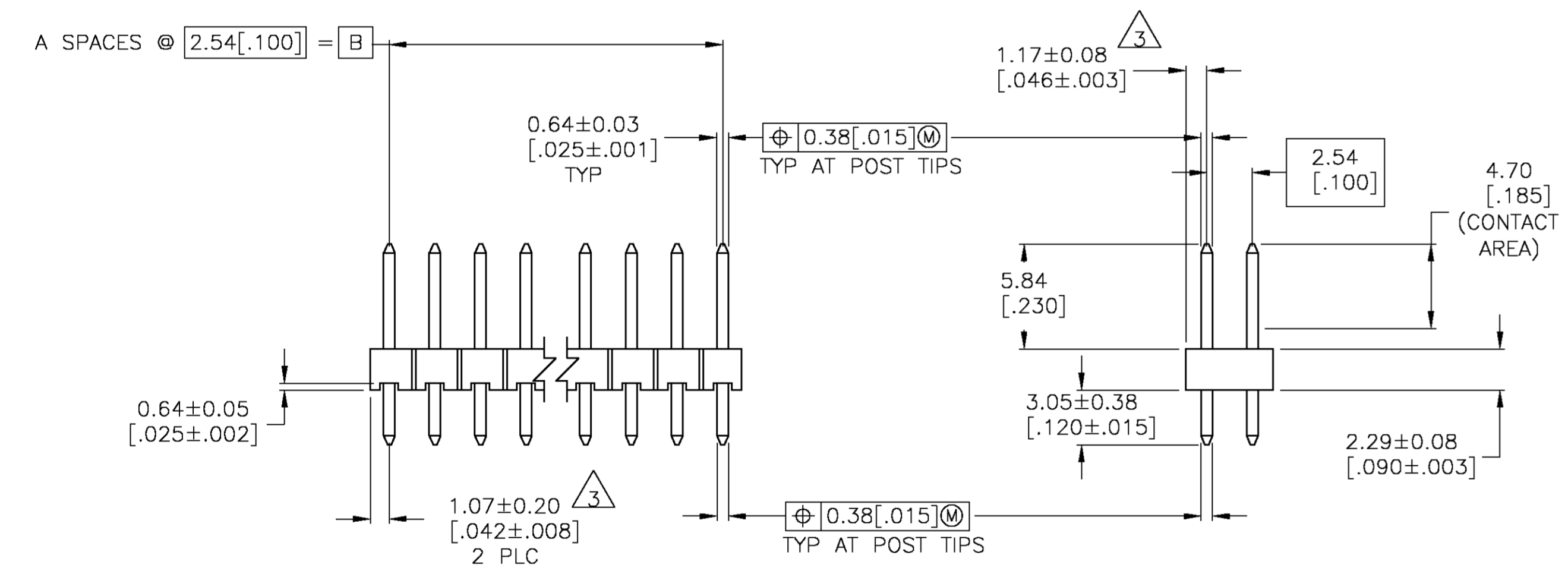
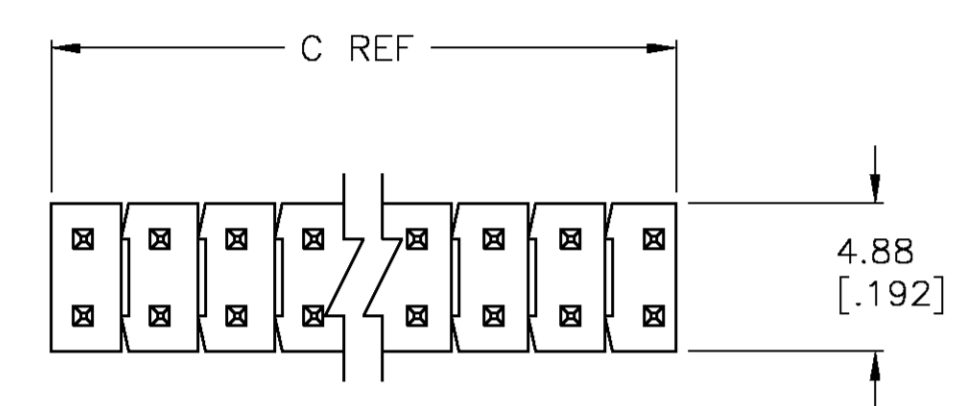


REV. NO.		REVISIONS			
DATE	BY	APPD	DESCRIPTION	DATE	BY
19JAN65	RB	JG	REV PER OG3C-083B-04	28JAN65	RB

- ASSEMBLY MAY BE BROKEN TO THE DESIRED NUMBER OF POSITIONS
- TRUE POSITION TOLERANCE OF THE POST TIPS APPLIES WHEN THE HEADER IS HELD FLAT AGAINST THE PRINTED CIRCUIT BOARD
- THE NOTED DIMENSIONS APPLY AT THE INTERSECTION OF THE POST AND HOUSING
- POST PLATING: 0.00762[.000030] GOLD ON CONTACT AREA, 0.00254-0.00508[.000100-.000200] MATTE TIN-LEAD ON SOLDER TAIL, ALL OVER 0.00127[.000050] NICKEL.
- HOUSING: LCP, COLOR-BLACK.
- POST: PHOSPHOR BRONZE
- PARTS PACKAGED IN TUBES.
- POST PLATING: 0.00762[.000030] GOLD ON CONTACT AREA, 0.00254-0.00508[.000100-.000200] MATTE TIN ON SOLDER TAIL, ALL OVER 0.00127[.000050] NICKEL.
- PRELIMINARY PART - NOT RELEASED FOR PRODUCTION.



RECOMMENDED PC BOARD MOUNTING DIMENSIONS FOR .063 [1.60] THICK PC BOARD AND .012 [0.305] STENCIL THICK.

PLATING	C	B	A	NO. OF POSITIONS	PART NUMBER
8	101.19 [3.984]	99.06 [3.900]	39	80	9-146257-0
8	98.65 [3.884]	96.52 [3.800]	38	78	8-146257-9
8	96.11 [3.784]	93.98 [3.700]	37	76	8-146257-8
8	93.57 [3.684]	91.44 [3.600]	36	74	8-146257-7
8	91.03 [3.584]	88.90 [3.500]	35	72	8-146257-6
8	88.49 [3.484]	86.36 [3.400]	34	70	8-146257-5
8	85.95 [3.384]	83.82 [3.300]	33	68	8-146257-4
8	83.41 [3.284]	81.28 [3.200]	32	66	8-146257-3
8	80.87 [3.184]	78.74 [3.100]	31	64	8-146257-2
8	78.33 [3.084]	76.20 [3.000]	30	62	8-146257-1
8	75.79 [2.984]	73.66 [2.900]	29	60	8-146257-0
8	73.25 [2.884]	71.12 [2.800]	28	58	7-146257-9
8	70.71 [2.784]	68.58 [2.700]	27	56	7-146257-8
8	68.17 [2.684]	66.04 [2.600]	26	54	7-146257-7
8	65.63 [2.584]	63.5 [2.500]	25	52	7-146257-6
8	63.09 [2.484]	60.96 [2.400]	24	50	7-146257-5
8	60.55 [2.384]	58.42 [2.300]	23	48	7-146257-4
8	58.01 [2.284]	55.88 [2.200]	22	46	7-146257-3
8	55.47 [2.184]	53.34 [2.100]	21	44	7-146257-2
8	52.93 [2.084]	50.80 [2.000]	20	42	7-146257-1
8	50.39 [1.984]	48.26 [1.900]	19	40	7-146257-0
8	47.85 [1.884]	45.72 [1.800]	18	38	6-146257-9
8	45.31 [1.784]	43.18 [1.700]	17	36	6-146257-8
8	42.77 [1.684]	40.64 [1.600]	16	34	6-146257-7
8	40.23 [1.584]	38.10 [1.500]	15	32	6-146257-6
8	37.69 [1.484]	35.56 [1.400]	14	30	6-146257-5
8	35.15 [1.384]	33.02 [1.300]	13	28	6-146257-4
8	32.61 [1.284]	30.48 [1.200]	12	26	6-146257-3
8	30.07 [1.184]	27.94 [1.100]	11	24	6-146257-2
8	27.53 [1.084]	25.40 [1.000]	10	22	6-146257-1
8	24.99 [.984]	22.86 [.900]	9	20	6-146257-0
8	22.45 [.884]	20.32 [.800]	8	18	5-146257-9
8	19.91 [.784]	17.78 [.700]	7	16	5-146257-8
8	17.37 [.684]	15.24 [.600]	6	14	5-146257-7
8	14.83 [.584]	12.70 [.500]	5	12	5-146257-6
8	12.29 [.484]	10.16 [.400]	4	10	5-146257-5
8	9.75 [.384]	7.62 [.300]	3	8	5-146257-4
8	7.21 [.284]	5.08 [.200]	2	6	5-146257-3
8	4.67 [.184]	2.54 [.100]	1	4	5-146257-2
8	-	-	0	2	5-146257-1

PLATING	C	B	A	NO. OF POSITIONS	PART NUMBER
9	17.37 [.684]	15.24 [.600]	6	14	4-146257-6
9	9.75 [.384]	7.62 [.300]	3	8	4-146257-5
9	7.21 [.284]	5.08 [.200]	2	6	4-146257-4
9	24.99 [.984]	22.86 [.900]	9	20	4-146257-3
9	75.79 [2.984]	73.66 [2.900]	29	60	4-146257-2
9	17.37 [.684]	15.24 [.600]	6	14	4-146257-1
9	101.19 [3.984]	99.06 [3.900]	39	80	4-146257-0
9	98.65 [3.884]	96.52 [3.800]	38	78	3-146257-9
9	96.11 [3.784]	93.98 [3.700]	37	76	3-146257-8
9	93.57 [3.684]	91.44 [3.600]	36	74	3-146257-7
9	91.03 [3.584]	88.90 [3.500]	35	72	3-146257-6
9	88.49 [3.484]	86.36 [3.400]	34	70	3-146257-5
9	85.95 [3.384]	83.82 [3.300]	33	68	3-146257-4
9	83.41 [3.284]	81.28 [3.200]	32	66	3-146257-3
9	80.87 [3.184]	78.74 [3.100]	31	64	3-146257-2
9	78.33 [3.084]	76.20 [3.000]	30	62	3-146257-1
9	75.79 [2.984]	73.66 [2.900]	29	60	3-146257-0
9	73.25 [2.884]	71.12 [2.800]	28	58	2-146257-9
9	70.71 [2.784]	68.58 [2.700]	27	56	2-146257-8
9	68.17 [2.684]	66.04 [2.600]	26	54	2-146257-7
9	65.63 [2.584]	63.5 [2.500]	25	52	2-146257-6
9	63.09 [2.484]	60.96 [2.400]	24	50	2-146257-5
9	60.55 [2.384]	58.42 [2.300]	23	48	2-146257-4
9	58.01 [2.284]	55.88 [2.200]	22	46	2-146257-3
9	55.47 [2.184]	53.34 [2.100]	21	44	2-146257-2
9	52.93 [2.084]	50.80 [2.000]	20	42	2-146257-1
9	50.39 [1.984]	48.26 [1.900]	19	40	2-146257-0
9	47.85 [1.884]	45.72 [1.800]	18	38	1-146257-9
9	45.31 [1.784]	43.18 [1.700]	17	36	1-146257-8
9	42.77 [1.684]	40.64 [1.600]	16	34	1-146257-7
9	40.23 [1.584]	38.10 [1.500]	15	32	1-146257-6
9	37.69 [1.484]	35.56 [1.400]	14	30	1-146257-5
9	35.15 [1.384]	33.02 [1.300]	13	28	1-146257-4
9	32.61 [1.284]	30.48 [1.200]	12	26	1-146257-3
9	30.07 [1.184]	27.94 [1.100]	11	24	1-146257-2
9	27.53 [1.084]	25.40 [1.000]	10	22	1-146257-1
9	24.99 [.984]	22.86 [.900]	9	20	1-146257-0
9	22.45 [.884]	20.32 [.800]	8	18	146257-9
9	19.91 [.784]	17.78 [.700]	7	16	146257-8
9	17.37 [.684]	15.24 [.600]	6	14	146257-7
9	14.83 [.584]	12.70 [.500]	5	12	146257-6
9	12.29 [.484]	10.16 [.400]	4	10	146257-5
9	9.75 [.384]	7.62 [.300]	3	8	146257-4
9	7.21 [.284]	5.08 [.200]	2	6	146257-3
9	4.67 [.184]	2.54 [.100]	1	4	146257-2
9	-	-	0	2	146257-1

THIS DRAWING IS A CONTROLLED DOCUMENT.

DIMENSIONS: mm	TOLERANCES UNLESS OTHERWISE SPECIFIED: 0 PLC ± - 1 PLC ± - 2 PLC ± 0.51[.02] 3 PLC ± 0.127[.005] 4 PLC ± 0.0127[.0005] ANGLES ± -	APPROVED: J. GESFORD	DATE: 19JAN65	NAME: J. GESFORD	PRODUCT SPEC: 19JAN65
MATERIAL:	FINISH: SEE TABLE	WEIGHT: -	SIZE: A1	CAGE CODE: 00779	DRAWING NO: 146257

TYCO Electronics Corporation  
 Harriburg, Pa 17105-3608

HEADER ASSEMBLY, MOD II, BREAKAWAY, DOUBLE ROW, HIGH TEMPERATURE

CUSTOMER DRAWING SCALE 4:1 SHEET 1 OF 1 REV M

[Skip to content](#)

Search By: Part Number Text [Tips](#)



[Sign In](#)

[Home](#) > [Products](#) > [By Type](#) > [PCB Connectors](#) > [Product Feature Selector](#) > Product Details

# Product Details for 6-146257-0

[Product Photo](#)

6-146257-0

.100 inch  
AMPMODU  
Headers

[RoHS Compliant](#)

[Previous](#)

[Next](#)

# Next

[Part Status is Active](#)

[RoHS Compliant](#)

[Previous 1 \[2\]](#)

[Active](#)

## Product Highlights:

### Quick Links

- Header
- Header Type = Breakaway
- Number of Rows = Dual
- Number of Positions = 20
- Mating Post Length = 5.84 mm
- [Check Pricing & Availability](#)
- [Search for Tooling](#)
- [Product Feature Selector](#)
- [Compare Products](#)
- [Contact Us About This Product](#)

[View all Features](#)

## Documentation & Additional Information

## Product Drawings:

- [HEADER ASSEMBLY, MOD II, BREAKAWAY, DOUBLE ROW, HI...](#) (PDF, English)

## Catalog Pages/Data Sheets:

- [AMPMODU INTERCONNECTION SYSTEM](#) (PDF, English)

## Product Specifications:

- None Available

## Application Specifications:

- None Available

## Instruction Sheets:

- None Available

## CAD Files:

- None Available

## Additional Information:

- [Product Line Information](#)

## Related Products:

- [Tooling](#)

[List all Documents](#)

## Product Features (Please use the Product Drawing for all design activity)

### Product Type Features:

- [Product Type](#) = Header
- [Number of Positions](#) = 20
- [Mount Angle](#) = Vertical
- [PCB Retention Feature](#) = Without
- [Surface Mount Compatible](#) = Yes
- [Board Standoff](#) = With
- [Mounting Ears](#) = Without
- [Mating Connector Lock](#) = Without
- Post Size (mm [in]) = 0.64 [.025]

### Contact Related Features:

- [Contact Mating Area Plating](#) = Gold (30)
- [High Speed Serial Data Connector](#) = No
- Contact Shape = Square
- Contact Material = Phosphor Bronze
- Contact Termination Area Plating = Tin over Nickel
- Approved Standards = UL E28476, CSA LR7189

### Housing Related Features:

## Mechanical Attachment:

- Mating Post Length (mm [in]) = 5.84 [0.230]
- [Panel Attachment](#) = Without

- Housing Material = Thermoplastic
- Housing Flammability Rating = UL 94V-0

### Electrical Characteristics:

- Current Rating (Amps.) = 3
- Insulation Resistance (M $\bullet$ ) = 5,000
- Dielectric Withstanding Voltage (V) = 750

### Termination Related Features:

- [Termination Post Length \(mm \[in\]\)](#) = 3.05 [0.120]
- Solder Tail Plating = Matte Tin over Nickel

### Body Related Features:

- [Header Type](#) = Breakaway
- [Number of Rows](#) = Dual
- [Centerline, Matrix \(mm \[in\]\)](#) = 2.54 x 2.54 [.100 x .100]
- [Selectively Loaded](#) = No
- [Mount Type](#) = PC Board

### Industry Standards:

- [RoHS/ELV Compliance](#) = RoHS compliant, ELV compliant
- [Lead Free Solder Processes](#) = Wave solder capable to 240°C, Wave solder capable to 260°C, Wave solder capable to 265°C, Reflow solder capable to 245°C, Reflow solder capable to 260°C, Pin-in-Paste capable to 245°C, Pin-in-Paste capable to 260°C
- RoHS/ELV Compliance History = Always was RoHS compliant

### Conditions for Usage:

- [High Temperature Housing](#) = Yes
- Operating Temperature (°C) = -65 – +105

### Other:

- Brand = AMP

**Languages:** English | [Deutsch](#) | [Español](#) | [Português \(do Brasil\)](#) | [Italiano](#) | [•••• \(••\) \(Chinese\)](#) | [•• \(••\) \(Simplified Chinese\)](#) | [••• \(Japanese\)](#)

**Country Sites:** [China](#) | [Japan](#)

© [2006 Tyco Electronics All Rights Reserved](#)

[Home](#) | [Customer Support](#) | [Supplier](#) | [Site Map](#) | [Privacy Policy](#) | [Browser Support](#)