

1488220-1 ✓ ACTIVE

AMP | AMP 0.64 Connector System

TE Internal #: 1488220-1

Automotive Terminals, Tab, Mating Tab Width .8 mm [.031 in], Tab Thickness .025 in [.64 mm], 20 – 18 AWG Wire Size, AMP 0.64 Connector System

[View on TE.com >](#)



Terminals & Splices > Automotive Terminals



Terminal Type: **Tab**

Mating Tab Width: **.8 mm [.031 in]**

Mating Tab Thickness: **.64 mm [.025 in]**

Terminal Transmits: **0 – 24 A (Low Power)**

Wire Size: **20 – 18 AWG**

## Features

### Product Type Features

|                  |      |
|------------------|------|
| Receptacle Style | 180° |
| Sealable         | No   |

### Contact Features

|   |                  |
|---|------------------|
| Contact Size                              | .64mm            |
| Contact Fabrication                       | Stamped & Formed |
| Typical Current Rating                    | 7.7 A            |
| Crimp Type                                | F-Crimp          |
| Terminal Type                             | Tab              |
| Mating Tab Width                          | .8 mm[.031 in]   |
| Mating Tab Thickness                      | .64 mm[.025 in]  |
| Interface Plating                         | Tin (Sn)         |
| Contact Termination Area Plating Material | Tin (Sn)         |

### Termination Features

|                                    |       |
|------------------------------------|-------|
| Termination Method to Wire & Cable | Crimp |
| Product Terminates To              | Wire  |

### Dimensions

|                  |                         |
|------------------|-------------------------|
| Wire Size        | .5 – .8 mm <sup>2</sup> |
| Wire Size Search | 18 AWG, 19 AWG, 20 AWG  |



|                          |                               |
|--------------------------|-------------------------------|
| Wire Insulation Diameter | 1.2 – 1.9 mm [.047 – .074 in] |
|--------------------------|-------------------------------|

### Usage Conditions

|                             |  |
|-----------------------------|--|
| Insulation Option           | Uninsulated  |
| Operating Temperature (Max) | 80 °C, 85 °C, 90 °C, 100 °C, 105 °C, 110 °C, 120 °C, 125 °C [176 °F][185 °F][194 °F][212 °F][221 °F][230 °F][248 °F][257 °F] |
| Operating Temperature Range | -40 – 125 °C [-40 – 257 °F]  |

### Operation/Application

|                                    |        |
|------------------------------------|--------|
| Compatible With Wire Base Material | Copper |
|------------------------------------|--------|

### Packaging Features

|                    |         |
|--------------------|---------|
| Packaging Method   | Package |
| Packaging Quantity | 7000    |

### Other

|                    |                      |
|--------------------|----------------------|
| Terminal Transmits | 0 – 24 A (Low Power) |
|--------------------|----------------------|

## Product Compliance

[For compliance documentation, visit the product page on TE.com>](#)

|   |  |
|---|--|
| EU RoHS Directive 2011/65/EU                  | Compliant  |
| EU ELV Directive 2000/53/EC                   | Compliant  |
| China RoHS 2 Directive MIIT Order No 32, 2016 | No Restricted Materials Above Threshold  |
| EU REACH Regulation (EC) No. 1907/2006        | Current ECHA Candidate List: JUNE 2022 (224)<br>Candidate List Declared Against: JAN 2022 (223)<br>SVHC > Threshold:<br>Not Yet Reviewed |
| Halogen Content                               | Low Halogen - Br, Cl, F, I < 900 ppm per homogenous material. Also BFR/CFR/PVC Free  |
| Solder Process Capability                     | Not reviewed for solder process capability   |

#### Product Compliance Disclaimer

This information is provided based on reasonable inquiry of our suppliers and represents our current actual knowledge based on the information they provided. This information is subject to change. The part numbers that TE has identified as EU RoHS compliant have a maximum concentration of 0.1% by weight in homogenous materials for lead, hexavalent chromium, mercury, PBB, PBDE, DBP, BBP, DEHP, DIBP, and 0.01% for cadmium, or qualify for an exemption to these limits as defined in the Annexes of Directive 2011/65/EU (RoHS2). Finished electrical and electronic equipment products will be CE marked as required by Directive 2011/65/EU. Components may not be CE marked. Additionally, the part numbers that TE has identified as EU ELV compliant have a maximum concentration of 0.1% by weight in homogenous materials for lead, hexavalent chromium, and mercury, and 0.01% for cadmium, or qualify for an exemption to these limits

as defined in the Annexes of Directive 2000/53/EC (ELV). Regarding the REACH Regulation, the information TE provides on SVHC in articles for this part number is based on the latest European Chemicals Agency (ECHA) 'Guidance on requirements for substances in articles' posted at this URL: <https://echa.europa.eu/guidance-documents/guidance-on-reach>

## Compatible Parts



TE Part # 2305570-1  
TERMINAL CUTTER, SIDE FEED



TE Part # 2151580-1  
OCEAN\_2.0\_APPLICATOR-S-062F067F



TE Part # 2-2151580-1  
OCEAN\_2.0\_APPLICATOR-S-062F067F



TE Part # 2-2151580-2  
OCEAN\_2.0\_APPLICATOR-S-062F067FA



TE Part # 2151580-2  
OCEAN\_2.0\_APPLICATOR-S-062F067FA



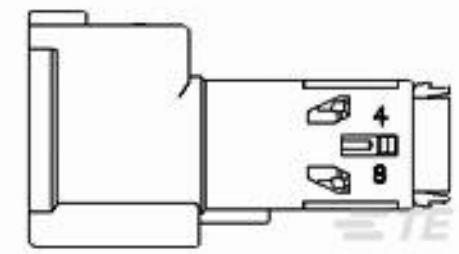
TE Part # 7-2151580-1  
OCEAN\_2.0\_APPLICATOR-S-062F067F



TE Part # 7-2151580-2  
OCEAN\_2.0\_APPLICATOR-S-062F067FA



TE Part # 7-2151580-7  
OCEAN\_2.0\_SPARE\_PART\_KIT-062F067F



TE Part # 638379-3  
.64MM 2X4 CAP ASSY, KEY C




TE Part # 1438726-2  
70 Way Inline Sealed Hybrid Cap Assy

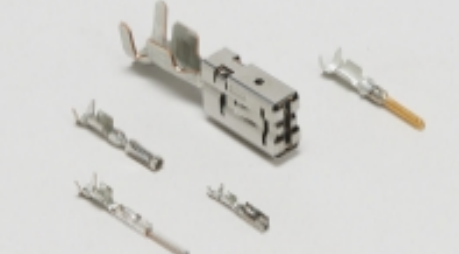
## Also in the Series | AMP 0.64 Connector System




Automotive Connector Caps & Covers (19)



Automotive Housings(31)



Automotive Terminals(13)



Insertion & Extraction Tools(1)

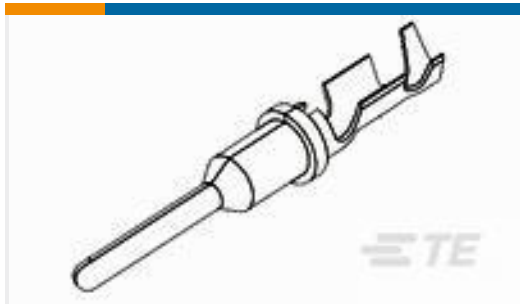


Other Automotive Connector Accessories(1)



PCB Headers & Receptacles(42)

## Customers Also Bought



TE Part #776300-2  
PIN CONTACT WIRE TO WIRE NICKE



TE Part #35111  
TERMINAL,PIDG R 12-10 5/16



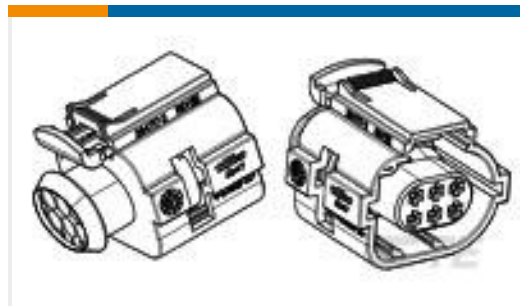
TE Part #776434-1  
AS 16, 6P CAP ASSY, KEY 1



TE Part #WP-4P  
WEDGE LOCK, 4P, REC, ORG, DTP



TE Part #1060-12-0166  
PIN, SF, SIZE 12, 12-14, NI/SN



TE Part #284716-3  
6 POS REC. CONNECTOR FOR MTII



TE Part #2-964300-1  
TAB A 2.8x0.8 CONTACT CF SWS Sn



TE Part #02560231-160  
R30A 10KHZ +/- 60



TE Part #66530072-000  
R-FLEX CPLG ADP RVIT/RVDT/RSYN



TE Part #184016-1  
2 POS. PLUG ASSY, KEY J, BLACK

## Documents

### Product Drawings

[MALE TERM. 18-20AWG, SN, RE-RE](#)

English

[MALE TERM. 18-20AWG, SN, RE-RE](#)

English

### CAD Files

[Customer View Model](#)

[ENG\\_CVM\\_1488220-1\\_O1.3d\\_igs.zip](#)



English

**Customer View Model**

[ENG\\_CVM\\_1488220-1\\_O1.3d\\_stp.zip](#)

English

**Customer View Model**

[ENG\\_CVM\\_1488220-1\\_O1.2d\\_dxf.zip](#)

English

**3D PDF**

English

By downloading the CAD file I accept and agree to the [Terms and Conditions](#) of use.

---

**Product Specifications**

[Application Specification](#)

English

---

**Instruction Sheets**

[Instruction Sheet \(U.S.\)](#)

English

[Instruction Sheet \(U.S.\)](#)

English