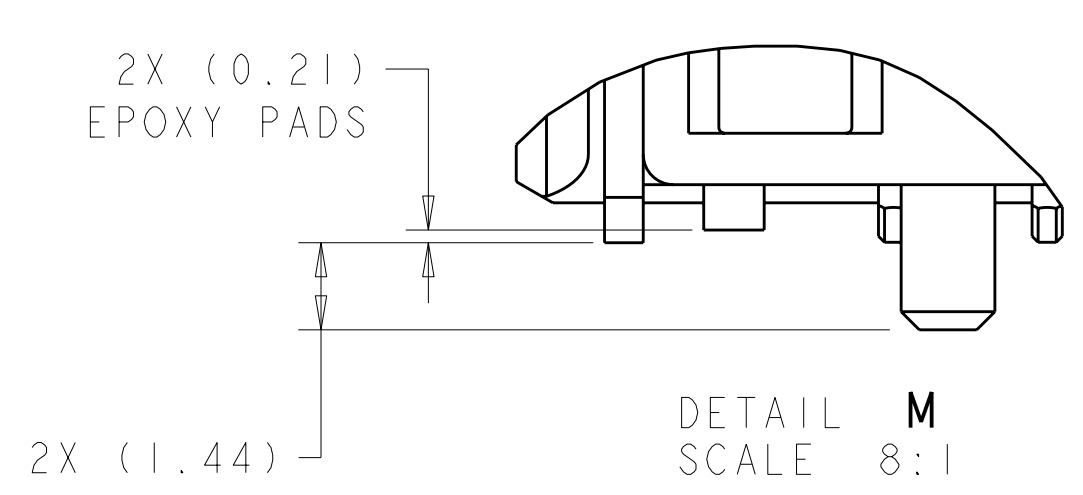
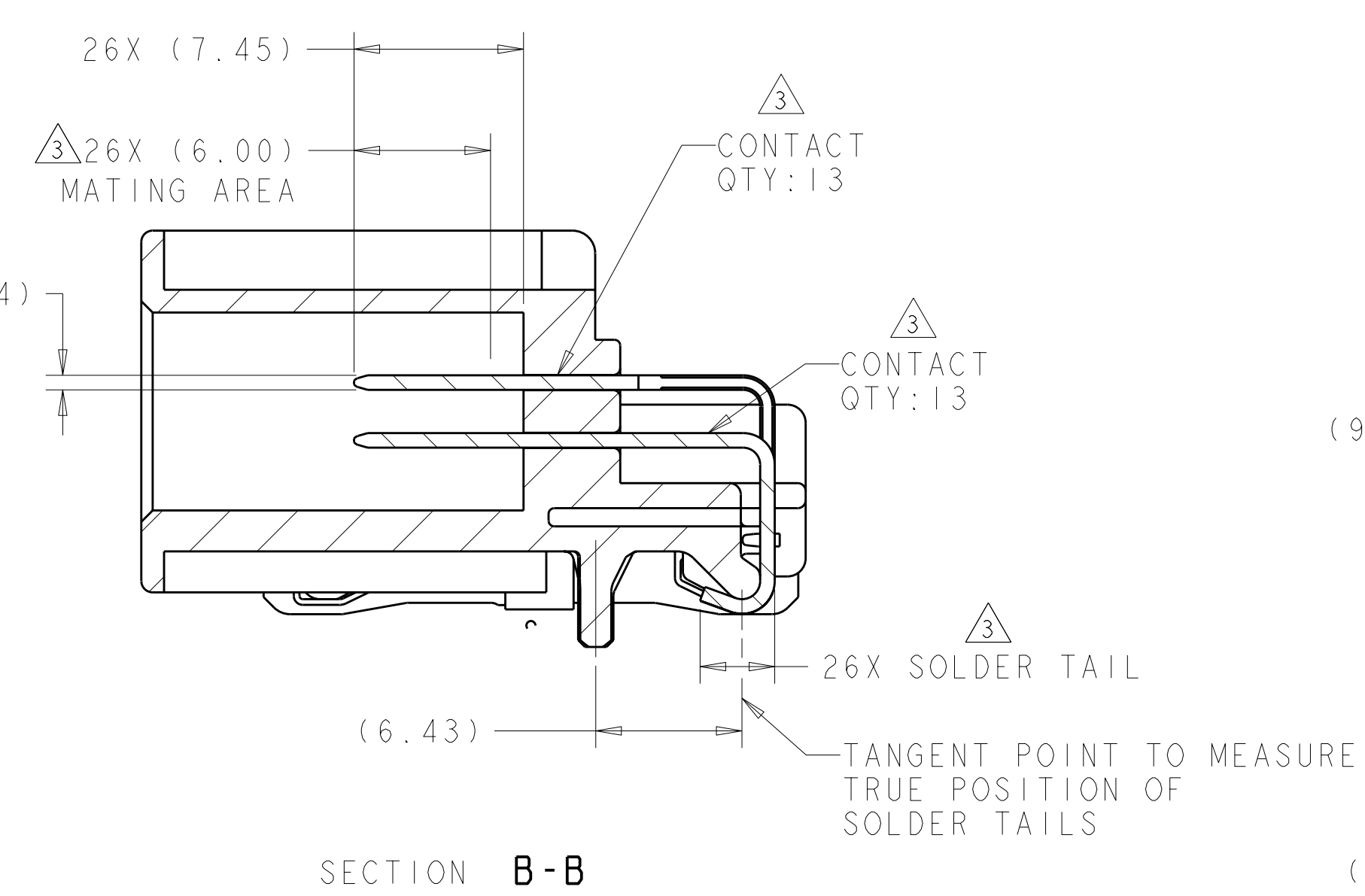
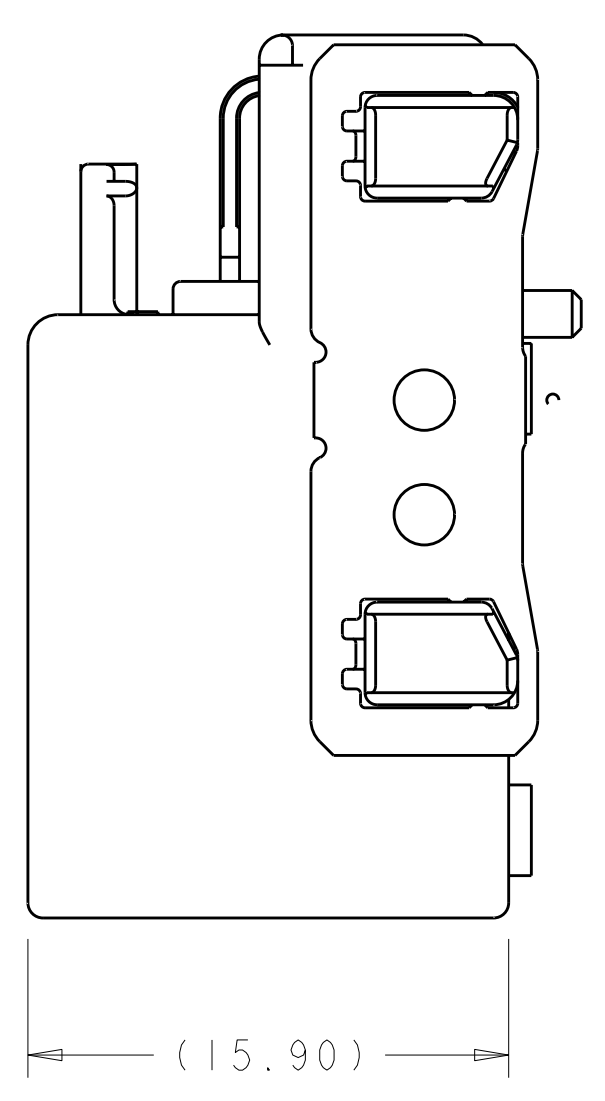
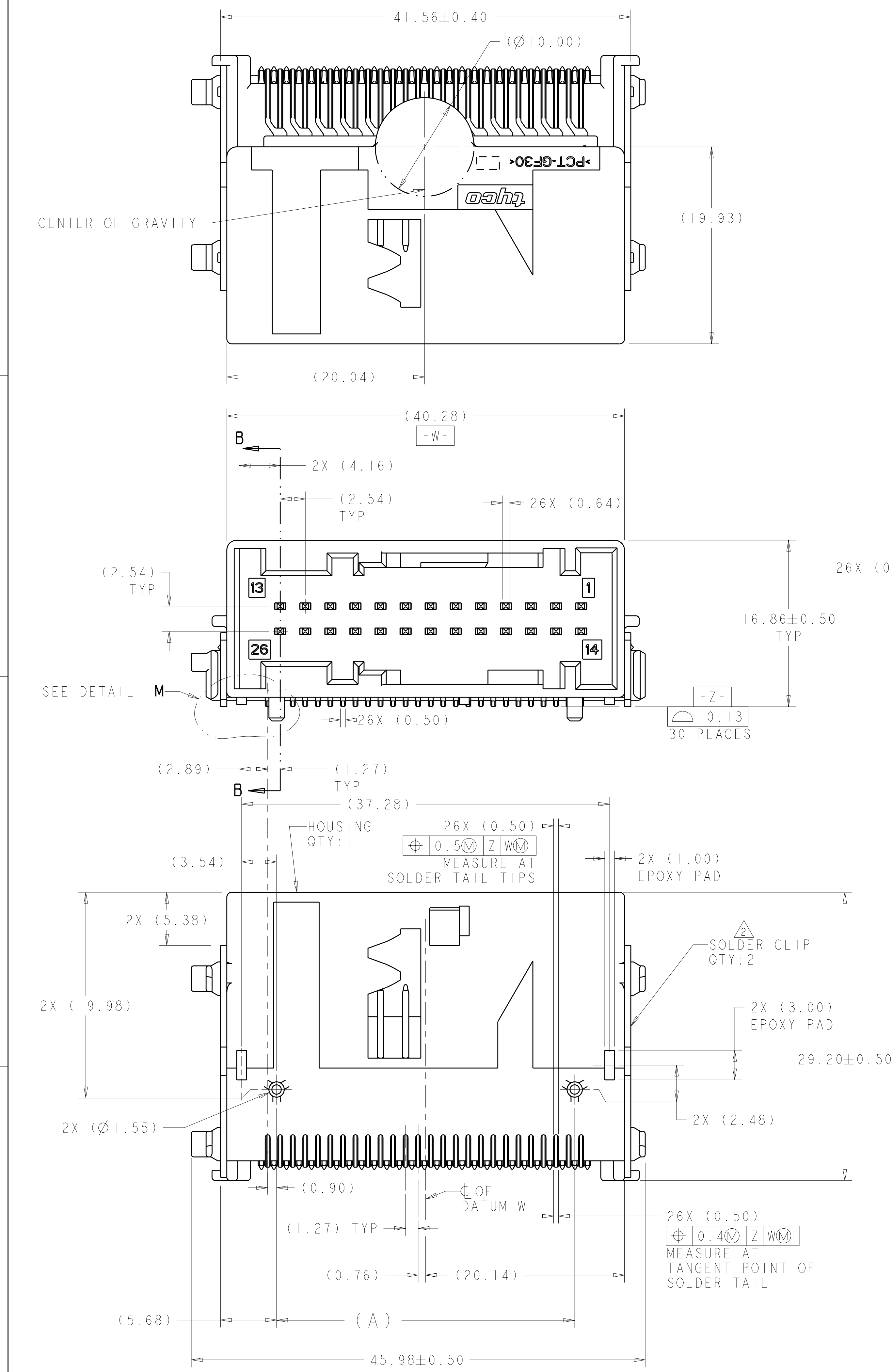
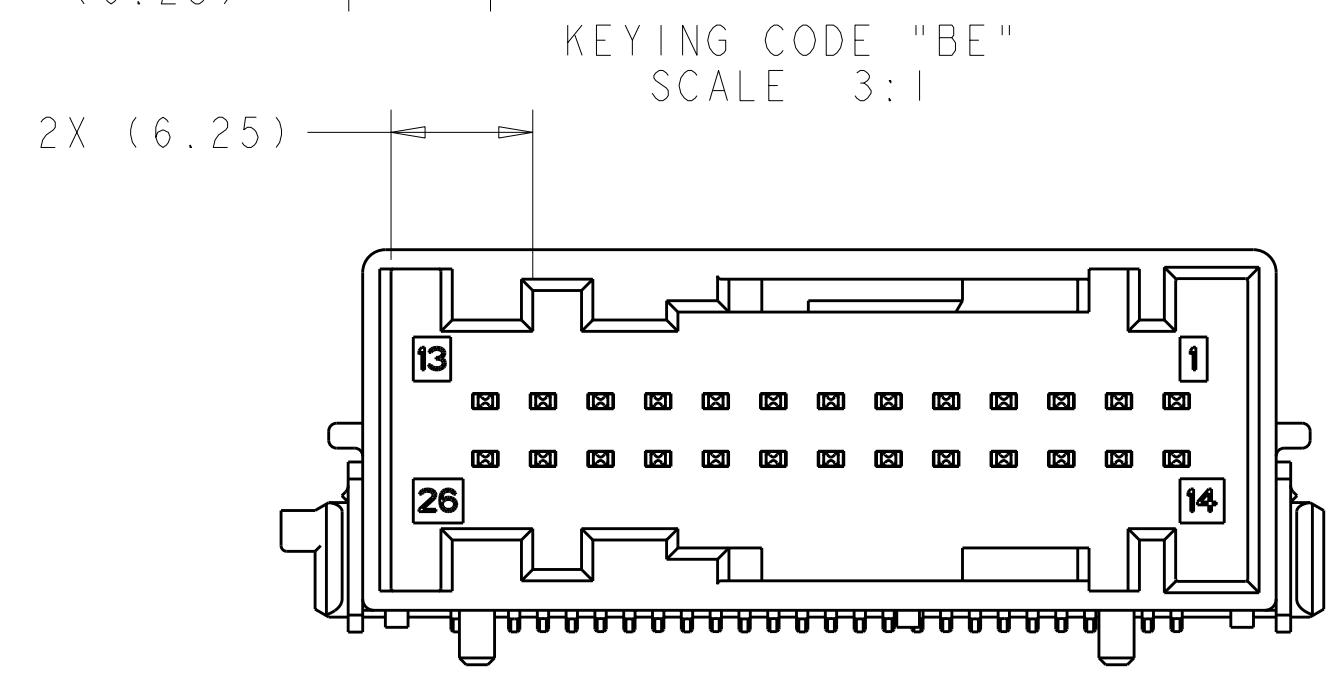
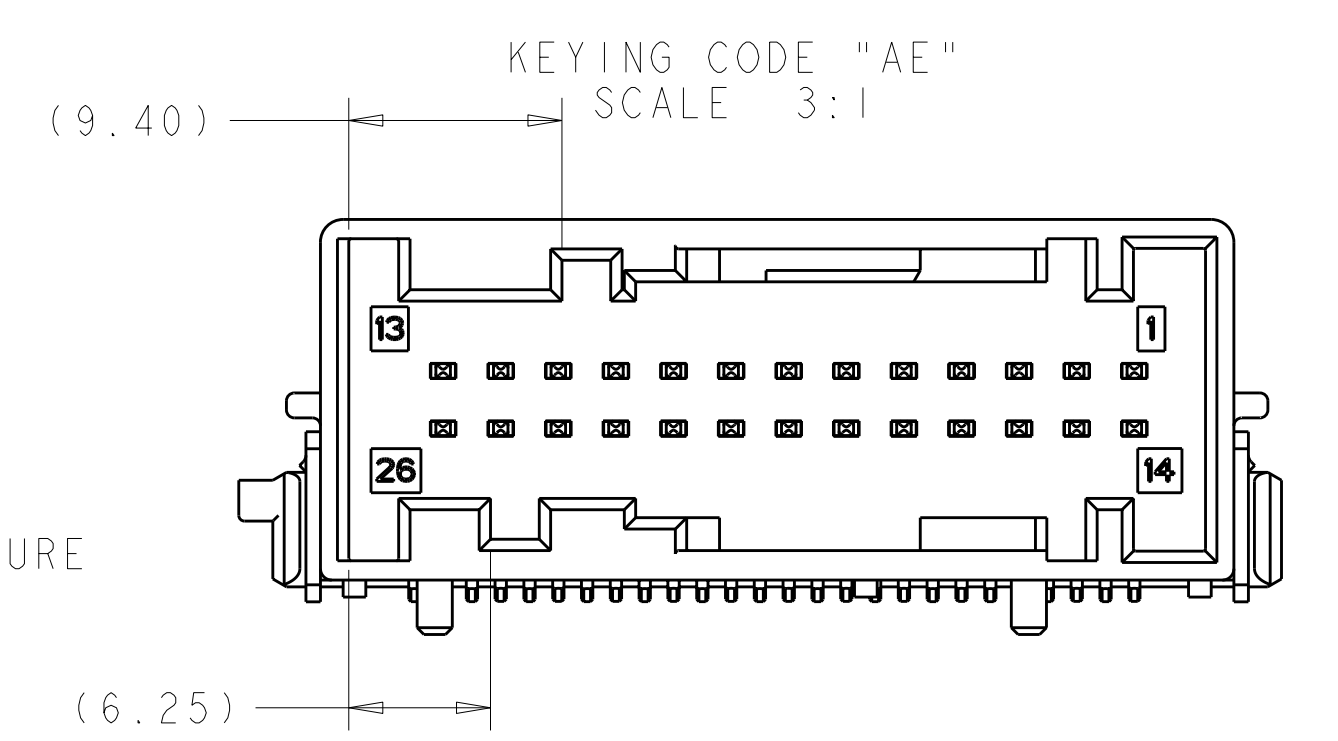
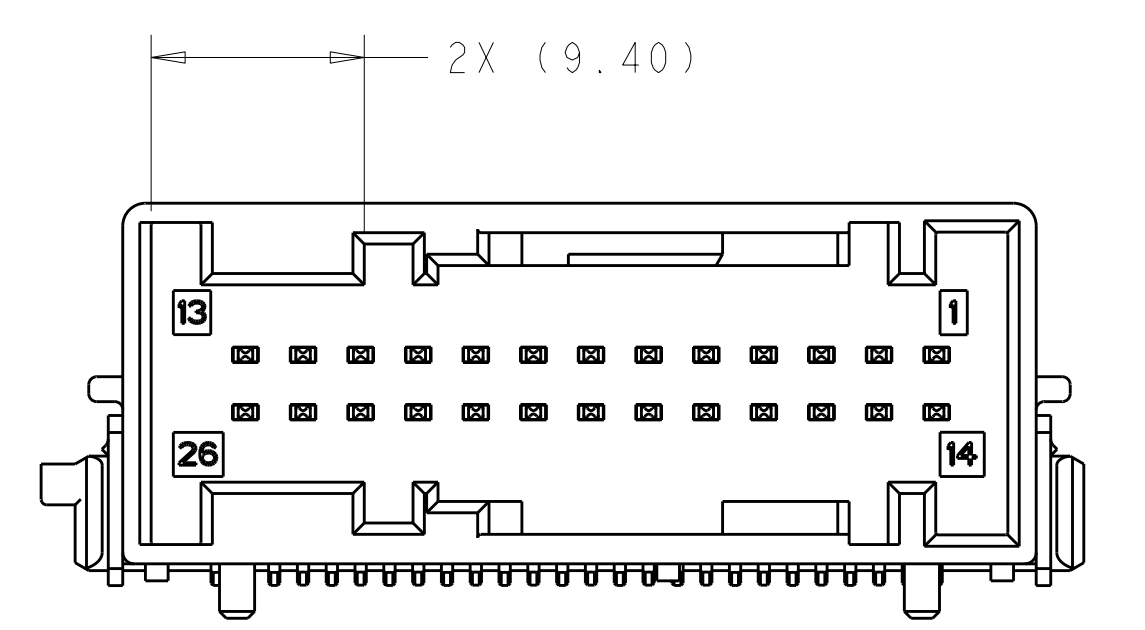


LOC	DIST	REV	DATE	BY	APPD
IN	00	9	09AUG2007	KF	GM
		A	15OCT2007	HM	DF
		A1	29OCT2007	HM	DF
		A2	07JUL2010	DLD	CJS



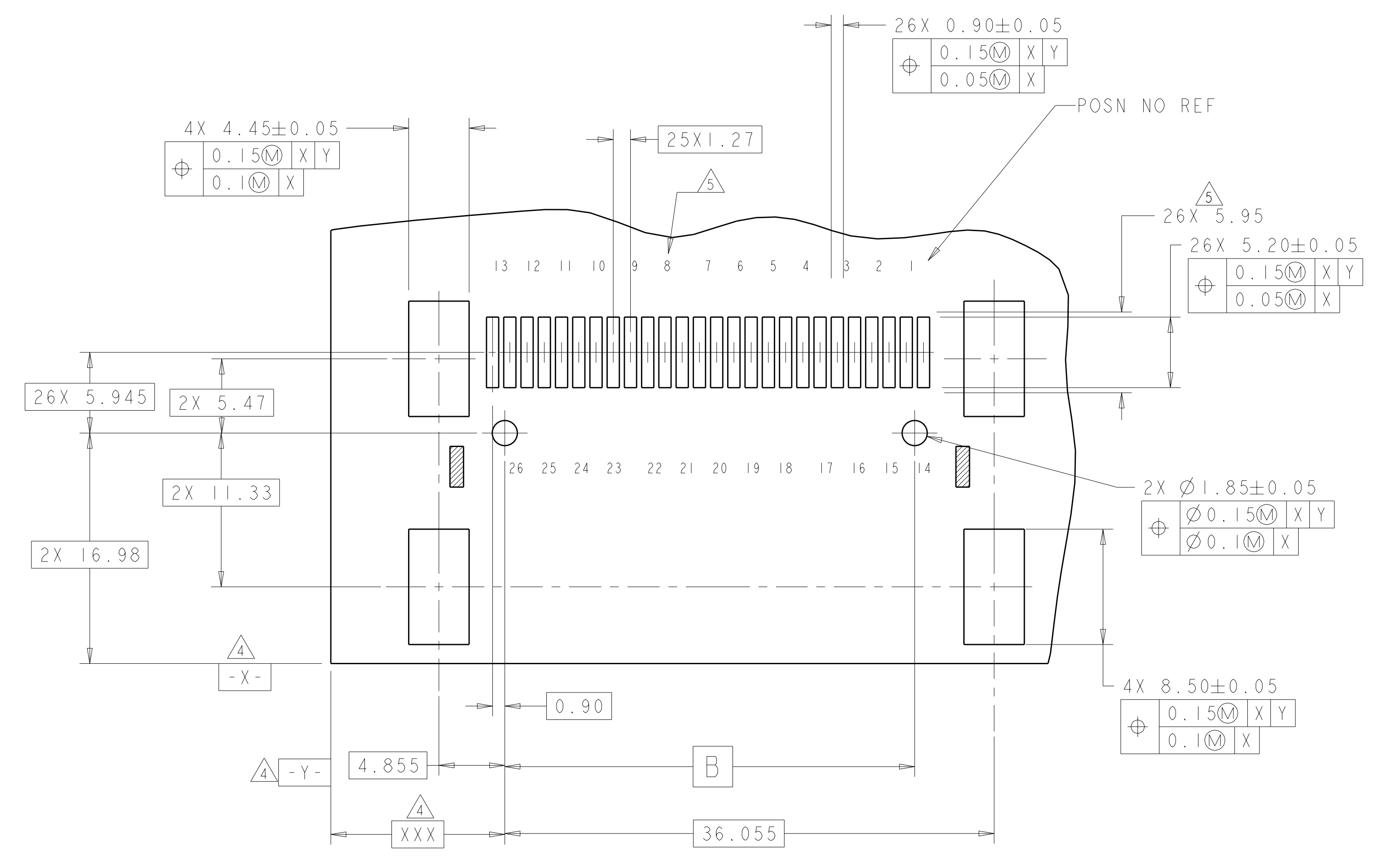
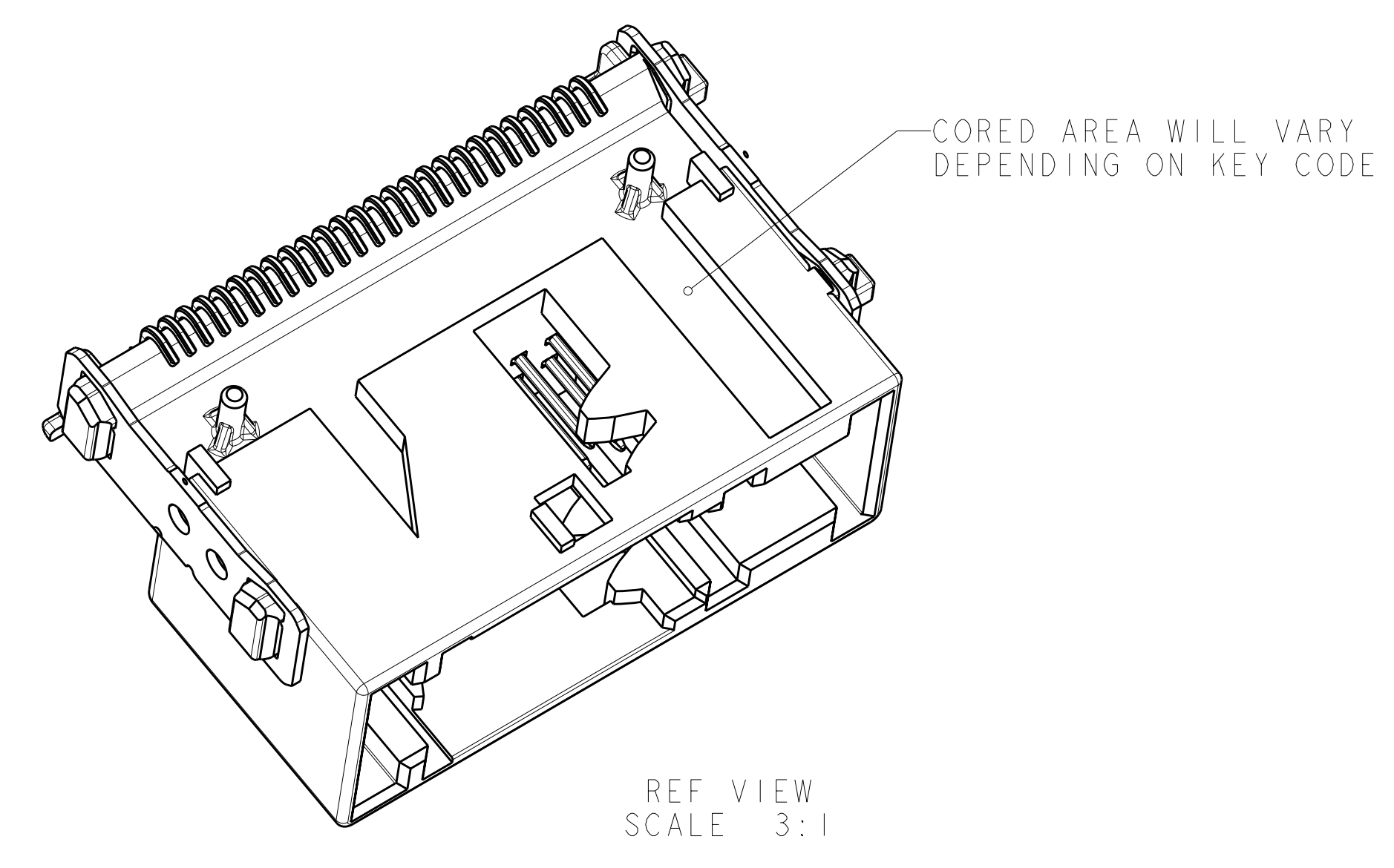
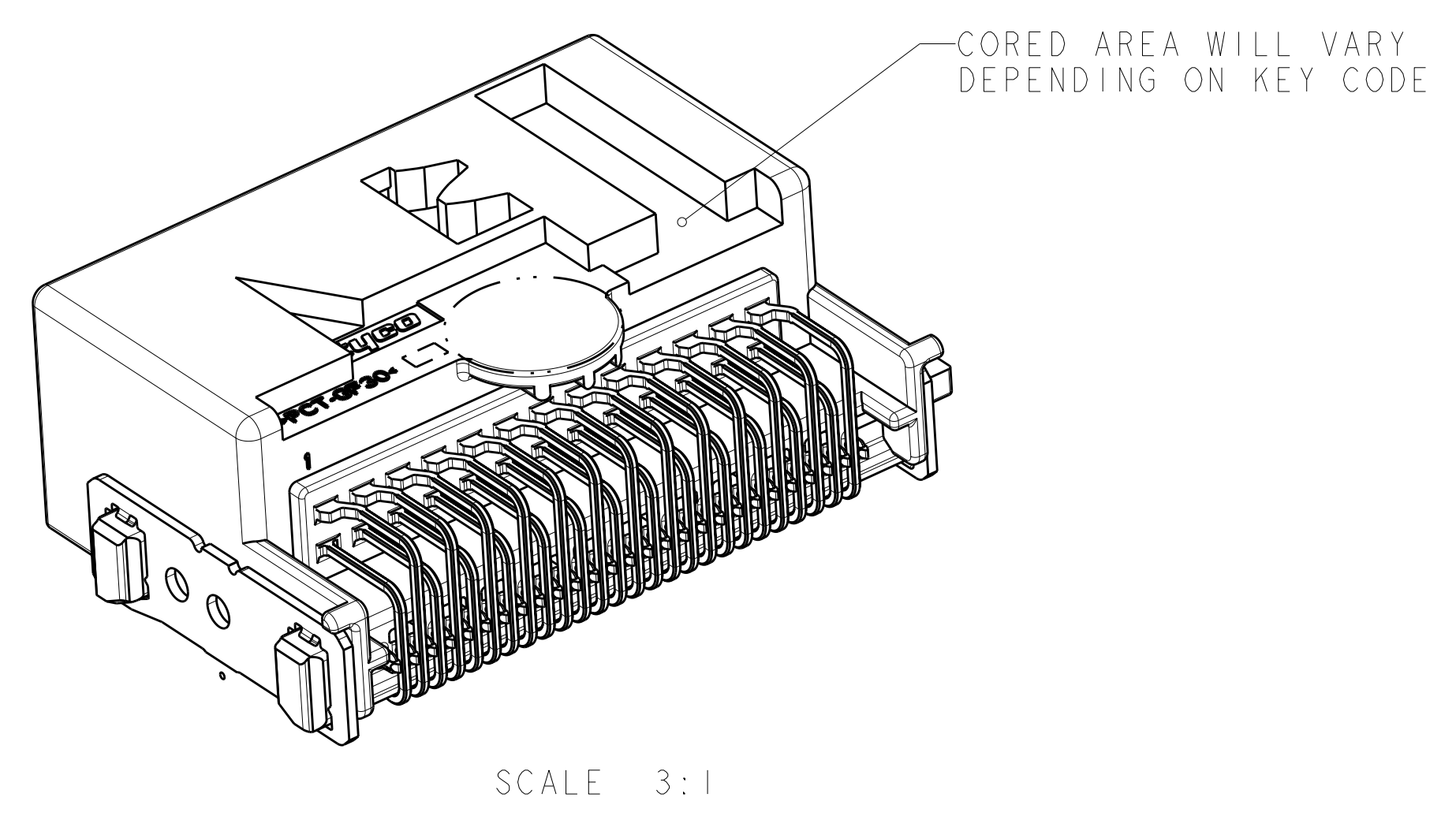
- 1 HOUSING: PTC, COLOR - SEE TABLE
 CONTACTS: BRASS
 SOLDER CLIP: BRASS
- 2 SOLDER CLIP: 3.8µm MIN TIN OVER 1.27µm MIN NICKEL
- 3 CONTACT: 0.8µm MIN TIN IN MATING AREA AND 2.5µm MIN TIN IS SOLDER TAIL ALL OVER 1.00µm NICKEL
- 4 DATUMS AND BASIC DIMENSIONS ESTABLISHED BY THE CUSTOMER
- 5 ALLOW FOR OVER PRINTING ON PC BOARD
- 6 THIS PRODUCT HAS NOT COMPLETED VALIDATION TESTING
- 7 PRELIMINARY - NOT FOR PRODUCTION



B	A	KEYING CODE	COLOR	PART NUMBER
28.20	28.20	KEYING CODE "BF"	BLUE	1456549-3
26.20	26.20	KEYING CODE "BE"	GRAY	1456549-2
30.20	30.20	KEYING CODE "AE"	BLACK	1456549-1

DIMENSIONS: mm 		TOLERANCES UNLESS OTHERWISE SPECIFIED: 9 PLC ± 1 PLC ± 5 PLC ± 4 PLC ± ANGLES ±		DWN HI MOLL 16FEB2006 CHK D. FRY 2MAY2006 APVD J. MYER 2MAY2006		Tyco Electronics Harrisburg, PA 17105-3608	
MATERIAL:		FINISH: SEE TABLE		NAME: HEADER ASSEMBLY, 26 WAY, RIGHT ANGLE, WITH SOLDER CLIPS, RIGHT CABLE EXIT, SURFACE MOUNT, LAC		SIZE: CAGE CODE DRAWING NO. RESTRICTED TO A1 00779 C=1456549	
CUSTOMER DRAWING				SCALE 4:1		SHEET 1 OF 2 REV A2	

LOC	DIST	REV	DATE	BY	APPD
IN	00				
		DESCRIPTION	DATE	BY	APPD
		SEE SHEET 1			



<small>THIS DRAWING IS UNPUBLISHED. RELEASED FOR PUBLICATION. ALL RIGHTS RESERVED.</small> <small>THIS IS SUBJECT TO CHANGE WITHOUT NOTICE AND WITHOUT OBLIGATION. DIMENSIONS ARE GIVEN IN MILLIMETERS UNLESS OTHERWISE SPECIFIED.</small>		DWN: MOLL 16FEB2006 CHK: D. FRY 2MAY2006 APVD: MYEB 2MAY2006	Tyco Electronics Harrisburg, PA 17105-3608
DIMENSIONS: mm 	TOLERANCES UNLESS OTHERWISE SPECIFIED: 9 PLC ± 1 PLC ± 5 PLC ± 4 PLC ± ANGLES ± FINISH ±	NAME: MOLL PRODUCT SPEC: APPLICATION SPEC: WEIGHT: CUSTOMER DRAWING	NAME: MOLL PRODUCT SPEC: APPLICATION SPEC: WEIGHT: CUSTOMER DRAWING
MATERIAL: -	SEE TABLE	SIZE: A1 CAGE CODE: 00779 DRAWING NO: C=1456549	RESTRICTED TO: SCALE: 4:1 SHEET 2 OF 2 REV A2