

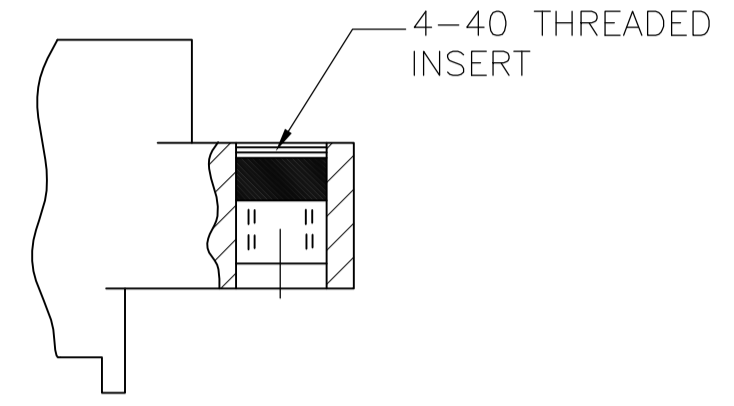
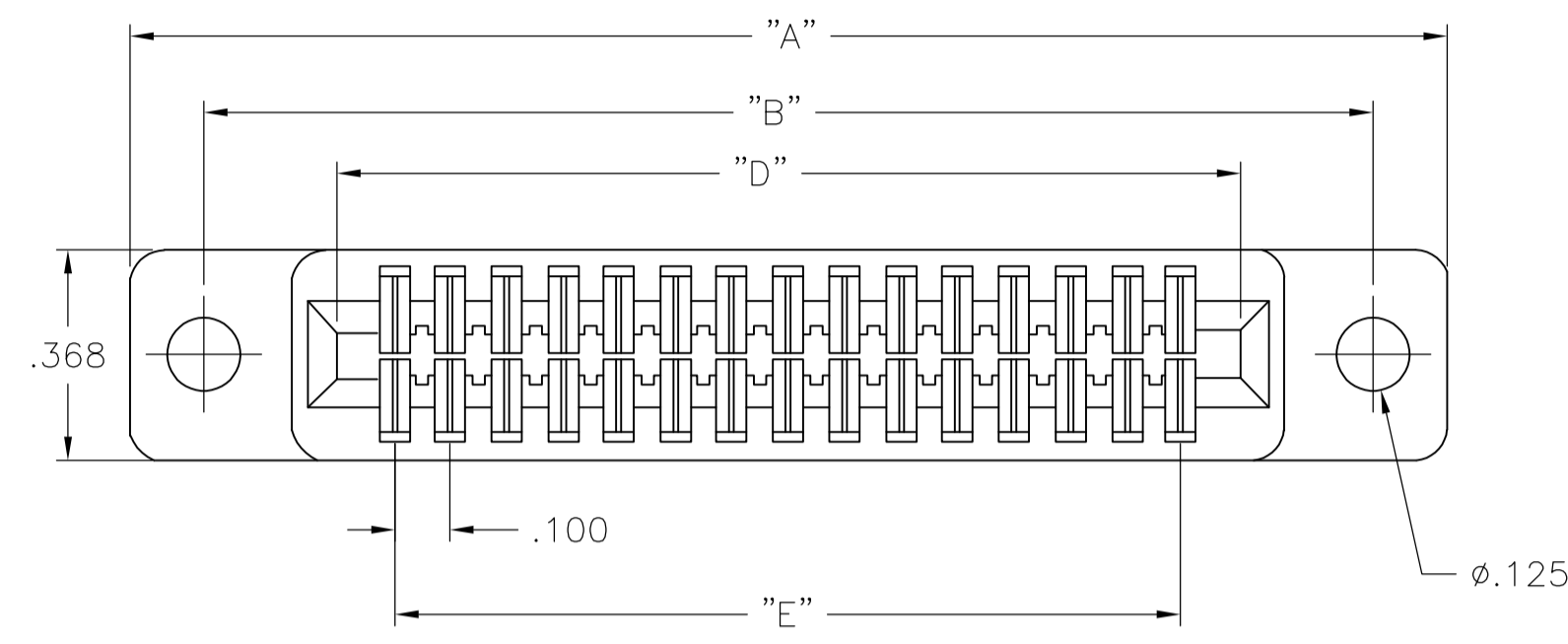
| REVISONS | | DATE | BY | APPV |
|----------|---|---------|----|------|
| A | - | 5/13/09 | SS | MM |

| PHYSICAL PROPERTIES | |
|---------------------|--|
| INSULATION MATERIAL | GLASS FILLED THERMOPLASTIC RATED 94V-0 |
| COLOR | BLACK |
| CONTACT MATERIAL | HIGH STRENGTH COPPER ALLOY |
| CONTACT PLATING | MATING AREA - GOLD OVER NICKEL TAIL AREA - TIN/LEAD |

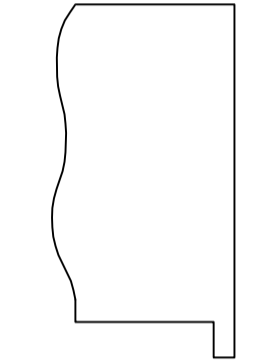
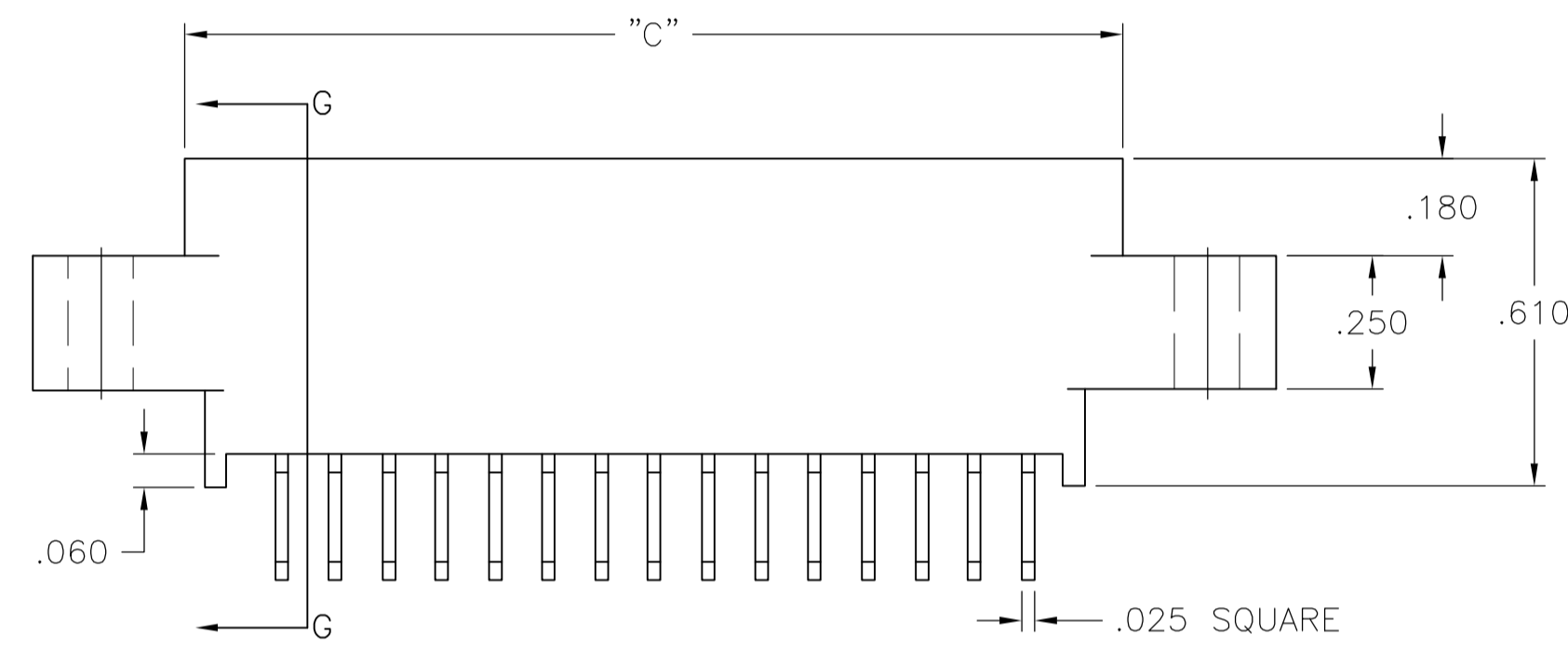
| ELECTRICAL PROPERTIES | |
|-----------------------|----------------------|
| CURRENT RATING | 3 AMPERES |
| INSULATION RESISTANCE | 5000 MEGOHMS MINIMUM |
| DIELECTRIC STRENGTH | 600 VDC AT SEA LEVEL |

| ENVIRONMENTAL PROPERTIES | |
|--------------------------|-----------------|
| TEMPERATURE RATING | -40°C TO +100°C |

| MECHANICAL PROPERTIES | |
|-----------------------|----------------|
| MATING FORCES | 8 OZ/PAIR MAX. |
| UNMATING FORCES | 2 OZ/PAIR MAX. |

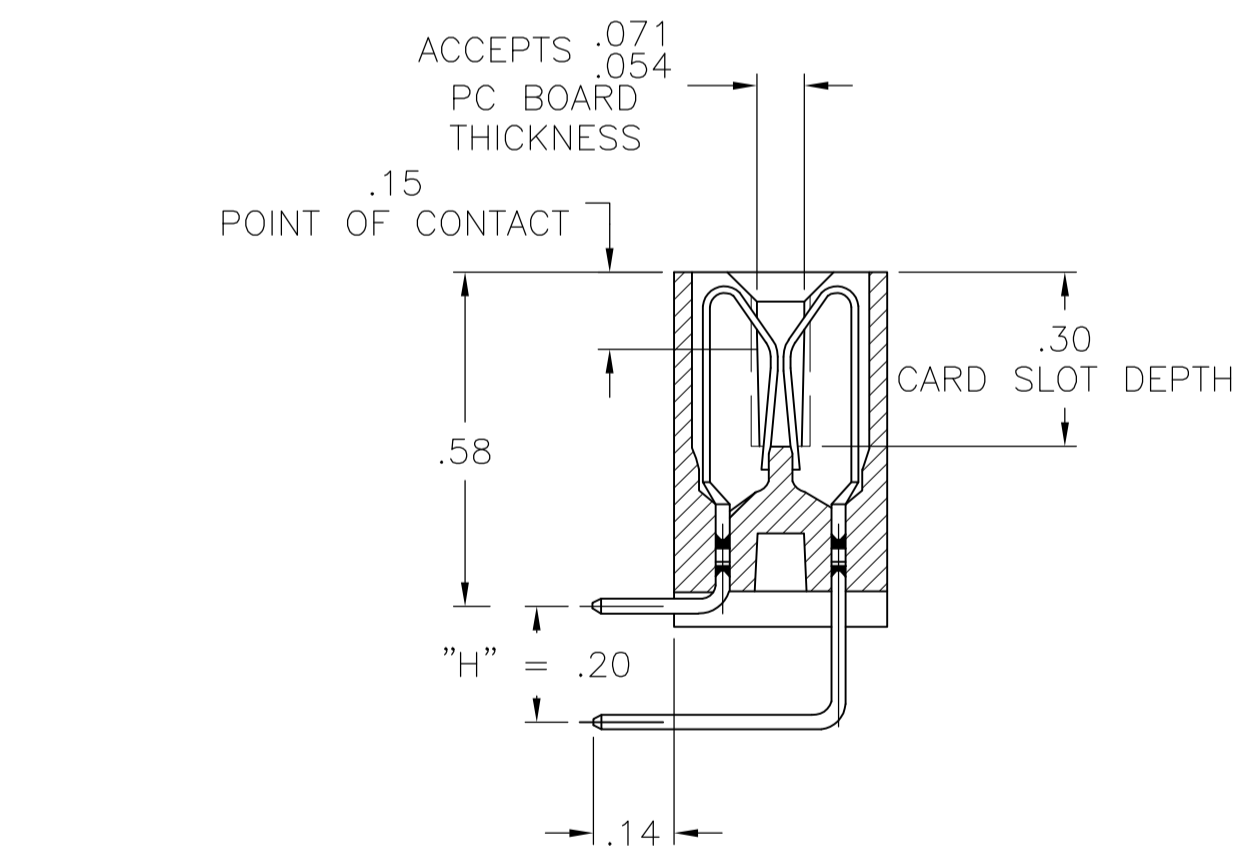


MOUNTING STYLE "B"

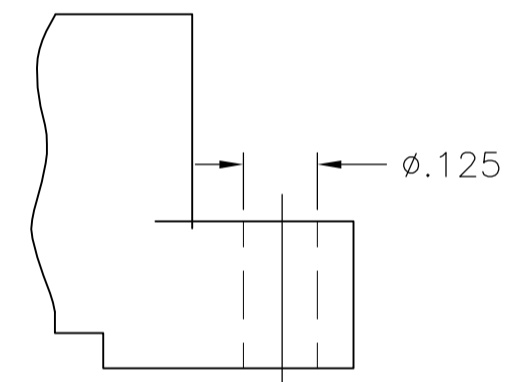


MOUNTING STYLE "C"

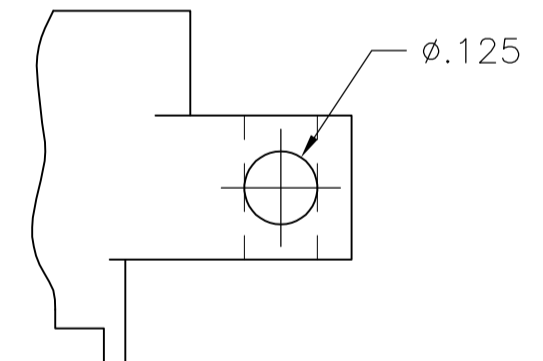
MOUNTING STYLE "A" 15 POSITION ILLUSTRATED (ADDITIONAL MOUNTING STYLES ARE SHOWN)



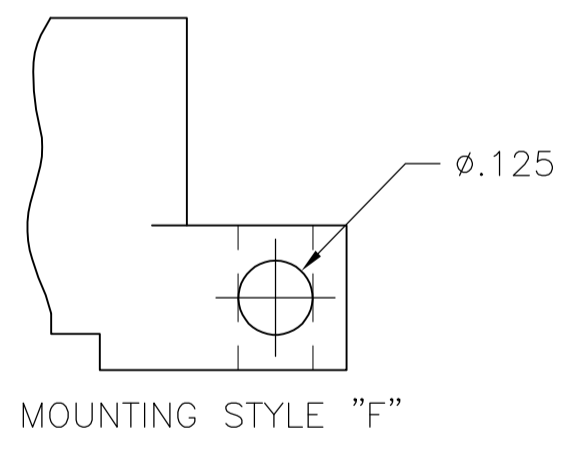
SECTION G-G



MOUNTING STYLE "D"



MOUNTING STYLE "E"



MOUNTING STYLE "F"

CATALOG NUMBER CODE DESCRIPTION

AB D ** RA 29 * M***

SERIES DESIGNATOR (.100 x .200)

DOUBLE READOUT

NUMBER OF CONTACT ROWS
10,12,15,18,20,22,25,28,30,31,35,36,40,43,44,50,60,65

TERMINATION STYLE (RIGHT ANGLE DIP SOLDER)

CONTACT PLATING (GOLD/TIN PLATE)

SPECIAL OR CUSTOMER MODIFICATION
"M" FOLLOWED BY NTHREE DIGIT
FACTORY ASSIGNED NUMBER

MOUNTING STYLE
A= .125 DIA MOUNTING HOLES
B= 4-40 THREADED INSERTS
C= WITHOUT MOUNTING EARS
D= FLUSH MOUNT/.125 DIA MOUNTING HOLES
E= CROSS-DRILLED STANDARD EAR
F= CROSS-DRILLED FLUSH MOUNT EAR

POLARIZING KEY AVAILABLE: CAT. NO. "96014-01"

| NO. OF CONTACT ROWS | NO. OF CONTACTS | DIM "A" | DIM "B" | DIM "C" | DIM "D" | DIM "E" |
|---------------------|-----------------|---------|---------|---------|---------|---------|
| 55 | 130 | 7.335 | 7.075 | 6.760 | 6.604 | 6.400 |
| 60 | 120 | 6.835 | 6.575 | 6.260 | 6.104 | 5.900 |
| 50 | 100 | 5.835 | 5.575 | 5.260 | 5.104 | 4.900 |
| 44 | 88 | 5.235 | 4.975 | 4.660 | 4.504 | 4.300 |
| 43 | 86 | 5.135 | 4.875 | 4.560 | 4.404 | 4.200 |
| 40 | 80 | 4.835 | 4.575 | 4.260 | 4.104 | 3.900 |
| 36 | 72 | 4.435 | 4.175 | 3.860 | 3.704 | 3.500 |
| 35 | 70 | 4.335 | 4.075 | 3.760 | 3.604 | 3.400 |
| 31 | 62 | 3.935 | 3.675 | 3.360 | 3.204 | 3.000 |
| 30 | 60 | 3.835 | 3.575 | 3.260 | 3.104 | 2.900 |
| 28 | 56 | 3.635 | 3.375 | 3.060 | 2.904 | 2.700 |
| 25 | 50 | 3.335 | 3.075 | 2.760 | 2.604 | 2.400 |
| 22 | 44 | 3.035 | 2.775 | 2.460 | 2.304 | 2.100 |
| 20 | 40 | 2.835 | 2.575 | 2.260 | 2.104 | 1.900 |
| 18 | 36 | 2.635 | 2.375 | 2.060 | 1.904 | 1.700 |
| 15 | 30 | 2.335 | 2.075 | 1.760 | 1.604 | 1.400 |
| 12 | 24 | 2.035 | 1.775 | 1.460 | 1.304 | 1.100 |
| 10 | 20 | 1.835 | 1.575 | 1.260 | 1.104 | .900 |

THIS DRAWING IS A CONTROLLED DOCUMENT.

APPROVED: M. MILLER 5/13/09

DESIGNED: M. MILLER 5/13/09

DATE: 5/13/09

BY: S. SCHLEGEL

NAME: M. MILLER

PRODUCT SPEC: A8 CARD EDGE CONNECTOR (.100 x .200 CENTERS) RIGHT ANGLE DIP SOLDER TAILS

SIZE: A1

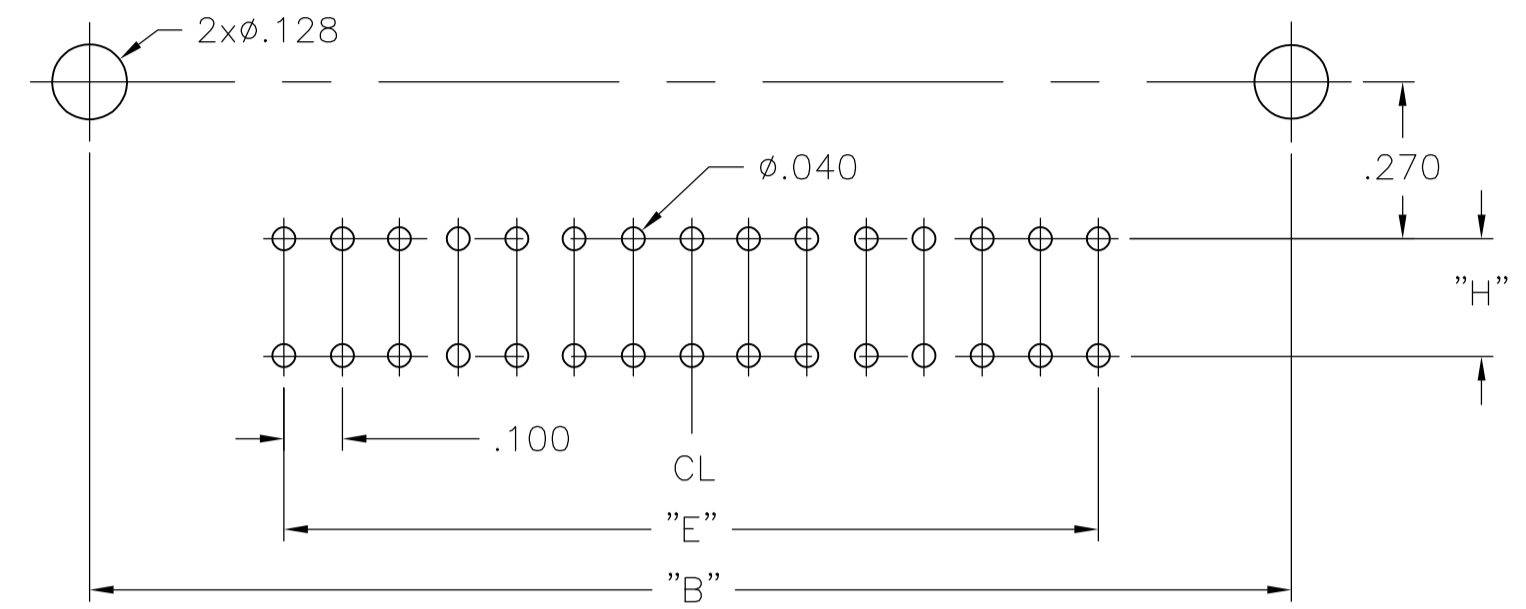
SCALE: 3:1

SHEET: 1 OF 2

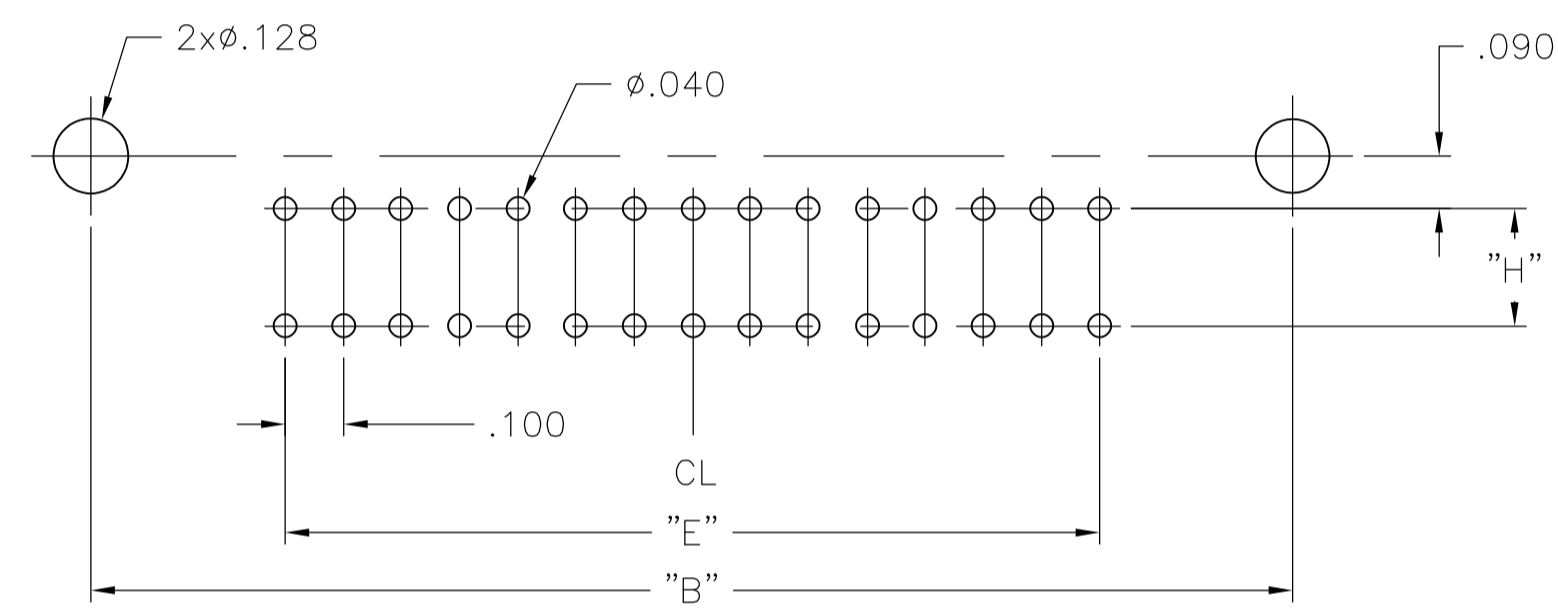
REV: A

RESTRICTED TO: CUSTOMER DRAWING

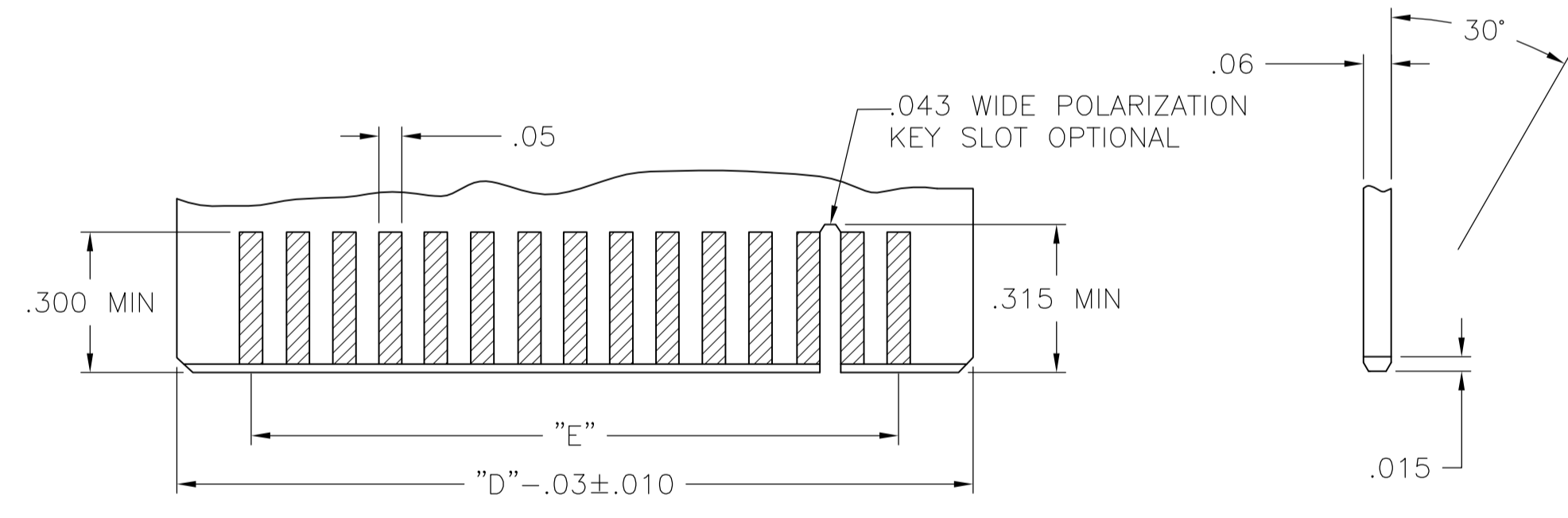
| LOC | | DIST | | REVISIONS | | | |
|-----|-----|-------------|------|-----------|------|---|---|
| P | LTR | DESCRIPTION | DATE | DN | APVD | | |
| - | - | SEE SHEET 1 | - | - | - | - | - |



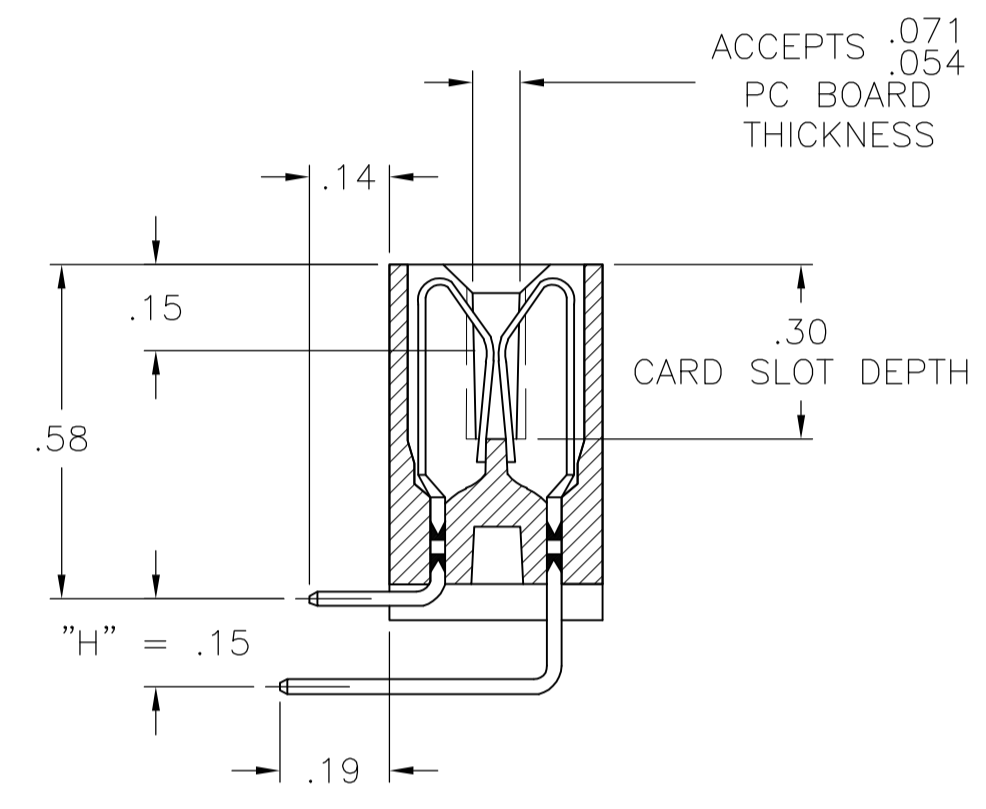
RECOMMENDED PC HOLE PATTERN FOR MOUNTING STYLE "E"



RECOMMENDED PC HOLE PATTERN FOR MOUNTING STYLE "F"



RECOMMENDED PC BOARD



OPTION "M233"

| QTY | HOUSING | QTY | CONTACT | QTY | CONTACT | DESCRIPTION | PART NUMBER |
|-----|-------------|-----|-------------|-----|-------------|------------------|-------------|
| 1 | 2-1454268-2 | 23 | 1454264-3 | 23 | 1454264-1 | A8D22RA29EM233 | 6-1437269-7 |
| 1 | 2-1454268-2 | 23 | 5-1454264-3 | 23 | 5-1454264-1 | A8D22RA29EM233LF | 6-6437269-7 |
| 1 | 5-1454268-2 | 51 | 1454264-3 | 51 | 1454264-1 | A8D50RA29BM233 | 4-1437270-3 |
| 1 | 5-1454268-2 | 51 | 5-1454264-3 | 51 | 5-1454264-1 | A8D50RA29BM233LF | 4-6437270-3 |
| 1 | 5-1454268-0 | 45 | 1454264-3 | 45 | 1454264-1 | A8D44RA29CM233 | 3-1437270-8 |
| 1 | 5-1454268-0 | 45 | 5-1454264-3 | 45 | 5-1454264-1 | A8D44RA29CM233LF | 3-6437270-8 |
| 1 | 4-1454268-3 | 37 | 1454264-3 | 37 | 1454264-1 | A8D36RA29EM233 | 2-1437270-3 |
| 1 | 4-1454268-3 | 37 | 5-1454264-3 | 37 | 5-1454264-1 | A8D36RA29EM233LF | 2-6437270-3 |
| 1 | 3-1454268-8 | 32 | 1454264-3 | 32 | 1454264-1 | A8D31RA29CM233 | 1437270-7 |
| 1 | 3-1454268-8 | 32 | 5-1454264-3 | 32 | 5-1454264-1 | A8D31RA29CM233LF | 6437270-7 |
| 1 | 3-1454268-6 | 32 | 1454264-3 | 32 | 1454264-1 | A8D31RA29BM233 | 1437270-5 |
| 1 | 3-1454268-6 | 32 | 5-1454264-3 | 32 | 5-1454264-1 | A8D31RA29BM233LF | 6437270-5 |
| 1 | 2-1454268-7 | 26 | 1454264-3 | 26 | 1454264-1 | A8D25RA29FM233 | 7-1437269-8 |
| 1 | 2-1454268-7 | 26 | 5-1454264-3 | 26 | 5-1454264-1 | A8D25RA29FM233LF | 7-6437269-8 |
| 1 | 2-1454268-8 | 26 | 1454264-3 | 26 | 1454264-1 | A8D25RA29CM233 | 7-1437269-6 |
| 1 | 2-1454268-8 | 26 | 5-1454264-3 | 26 | 5-1454264-1 | A8D25RA29CM233LF | 7-6437269-6 |
| 1 | 2-1454268-5 | 26 | 1454264-3 | 26 | 1454264-1 | A8D25RA29AM233 | 7-1437269-4 |
| 1 | 2-1454268-5 | 26 | 5-1454264-3 | 26 | 5-1454264-1 | A8D25RA29AM233LF | 7-6437269-4 |
| 1 | 1-1454268-5 | 19 | 1454264-3 | 19 | 1454264-1 | A8D18RA29FM233 | 5-1437269-3 |
| 1 | 1-1454268-5 | 19 | 5-1454264-3 | 19 | 5-1454264-1 | A8D18RA29FM233LF | 5-6437269-3 |
| 1 | 1-1454268-6 | 19 | 1454264-3 | 19 | 1454264-1 | A8D18RA29CM233 | 5-1437269-2 |
| 1 | 1-1454268-6 | 19 | 5-1454264-3 | 19 | 5-1454264-1 | A8D18RA29CM233LF | 5-6437269-2 |
| 1 | 1-1454268-2 | 16 | 1454264-3 | 16 | 1454264-1 | A8D15RA29FM233 | 4-1437269-5 |
| 1 | 1-1454268-2 | 16 | 5-1454264-3 | 16 | 5-1454264-1 | A8D15RA29FM233LF | 4-6437269-5 |
| 1 | 1-1454268-1 | 16 | 1454264-3 | 16 | 1454264-1 | A8D15RA29EM233 | 4-1437269-4 |
| 1 | 1-1454268-1 | 16 | 5-1454264-3 | 16 | 5-1454264-1 | A8D15RA29EM233LF | 4-6437269-4 |
| 1 | 1-1454268-3 | 16 | 1454264-3 | 16 | 1454264-1 | A8D15RA29CM233 | 4-1437269-2 |
| 1 | 1-1454268-3 | 16 | 5-1454264-3 | 16 | 5-1454264-1 | A8D15RA29CM233LF | 4-6437269-2 |
| 1 | 1454268-9 | 14 | 1454264-3 | 14 | 1454264-1 | A8D13RA29CM233 | 3-1437269-6 |
| 1 | 1454268-9 | 14 | 5-1454264-3 | 14 | 5-1454264-1 | A8D13RA29CM233LF | 3-6437269-6 |
| 1 | 1454268-6 | 13 | 1454264-3 | 13 | 1454264-1 | A8D12RA29EM233 | 3-1437269-1 |
| 1 | 1454268-6 | 13 | 5-1454264-3 | 13 | 5-1454264-1 | A8D12RA29EM233LF | 3-6437269-1 |
| 1 | 1454268-3 | 11 | 1454264-3 | 11 | 1454264-1 | A8D10RA29CM233 | 2-1437269-3 |
| 1 | 1454268-3 | 11 | 5-1454264-3 | 11 | 5-1454264-1 | A8D10RA29CM233LF | 2-6437269-3 |

THIS DRAWING IS A CONTROLLED DOCUMENT.

DSN S SCHLEGEL 5/13/09
 CHK M MILLER 5/13/09
 APVD M MILLER 5/13/09
 NAME Tyco Electronics Corporation
 Tyco Electronics Corporation
 Harrisburg, Pa 17105-3608

| | | | | | | | |
|--------------------|--|--------------|--------------|--------------|--------------|--------------|---------------|
| DIMENSIONS: INCHES | TOLERANCES UNLESS OTHERWISE SPECIFIED: | 0 PLC ± .005 | 1 PLC ± .005 | 2 PLC ± .005 | 3 PLC ± .005 | 4 PLC ± .005 | ANGLES ± .005 |
|--------------------|--|--------------|--------------|--------------|--------------|--------------|---------------|

MATERIAL: - FINISH: - WEIGHT: -
 SIZE: A1 CAGE CODE: 00779 DRAWING NO: 1437270-5
 CUSTOMER DRAWING SCALE: 3:1 SHEET 2 OF 2 REV A