

1456983-3 ✓ ACTIVE

### Get .64 Connector System

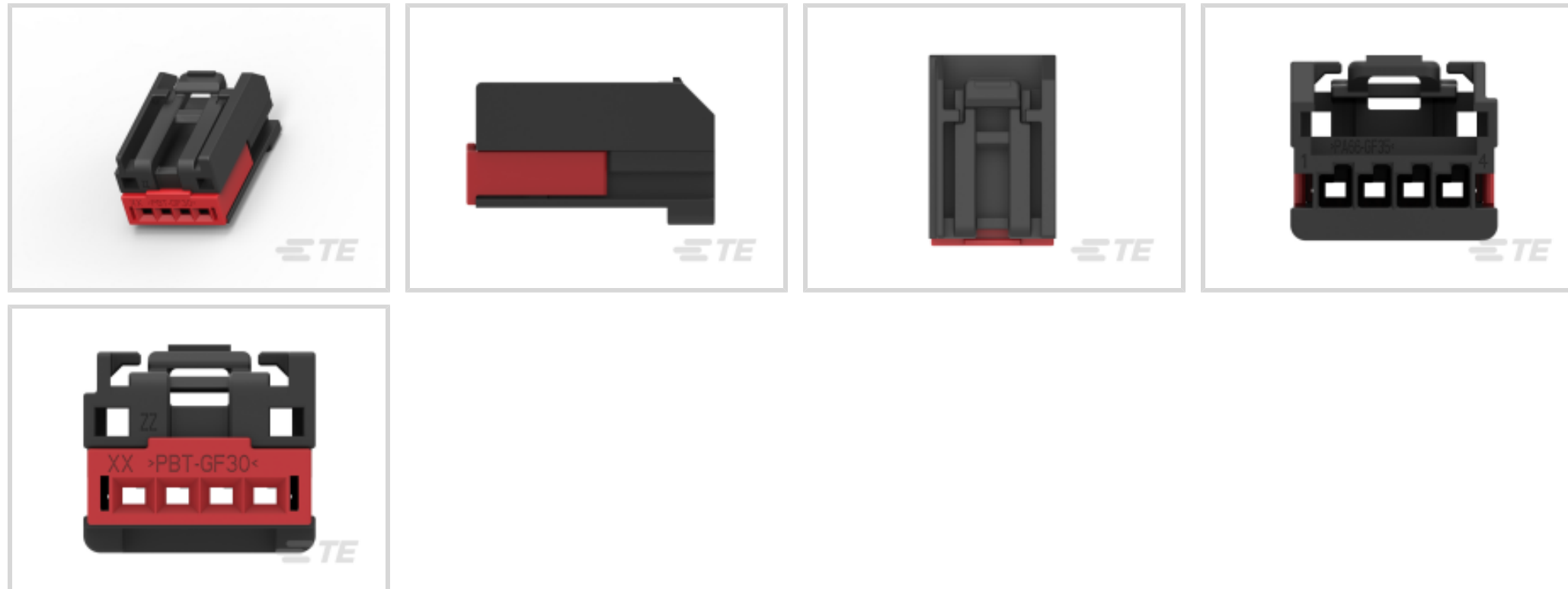
TE Internal #: 1456983-3

Housing for Female Terminals, Wire-to-Wire, 4 Position, Black, Cable Mount (Free-Hanging), -40 – 212 °F [-40 – 100 °C], Get .64 Connector System

[View on TE.com >](#)



Connectors > Automotive Connectors > Connector Housings > GET .64 CONNECTOR SYSTEM, CONNECTOR HSG



Connector & Housing Type: **Housing for Female Terminals**

Connector System: **Wire-to-Wire**

Number of Positions: **4**

Sealable: **No**

Hybrid Connector: **No**

[All GET .64 CONNECTOR SYSTEM, CONNECTOR HSG \(106\)](#)

## Features

### Product Type Features

Connector & Housing Shape	Rectangular
Connector & Housing Type	Housing for Female Terminals
Connector System	Wire-to-Wire
Sealable	No
Hybrid Connector	No
Primary Locking Feature	Integrated in Housing

### Configuration Features

Number of Positions	4
Number of Rows	1

### Body Features

Cable Exit Angle	180°
Body Material	PA GF



Primary Product Color	Black
-----------------------	-------

Connector Code	B
----------------	---

### Contact Features

Contact Size	.64mm
--------------	-------

### Mechanical Attachment

Mounting Feature	Without
------------------	---------

Terminal Position Assurance	Yes
-----------------------------	-----

Strain Relief	Without
---------------	---------

Mating Alignment Type	Keyed
-----------------------	-------

Mating Alignment	With
------------------	------

Connector Mounting Type	Cable Mount (Free-Hanging)
-------------------------	----------------------------

### Dimensions

Product Width	13.47 mm[.53 in]
---------------	------------------

Product Height	11.75 mm[.463 in]
----------------	-------------------

### Usage Conditions

Operating Temperature (Max)	70 °C, 75 °C, 80 °C, 85 °C, 90 °C, 100 °C [158 °F][167 °F][176 °F][185 °F][194 °F][212 °F]
-----------------------------	---

Operating Temperature Range	-40 – 100 °C[-40 – 212 °F]
-----------------------------	----------------------------

### Industry Standards

UL Flammability Rating	UL 94HB
------------------------	---------

### Other

Serviceable	Yes
-------------	-----

Connector Position Assurance Capable	Yes
--------------------------------------	-----

### Product Compliance

[For compliance documentation, visit the product page on TE.com>](#)

EU RoHS Directive 2011/65/EU	Compliant
------------------------------	-----------

EU ELV Directive 2000/53/EC	Compliant
-----------------------------	-----------

China RoHS 2 Directive MIIT Order No 32, 2016	No Restricted Materials Above Threshold
---	---

EU REACH Regulation (EC) No. 1907/2006	Current ECHA Candidate List: JUNE 2022 (224) Candidate List Declared Against: JAN 2022 (223)
--	---



SVHC > Threshold:  
Not Yet Reviewed

Halogen Content	Low Halogen - Br, Cl, F, I < 900 ppm per homogenous material. Also BFR/CFR/PVC Free
Solder Process Capability	Not applicable for solder process capability

Product Compliance Disclaimer

This information is provided based on reasonable inquiry of our suppliers and represents our current actual knowledge based on the information they provided. This information is subject to change. The part numbers that TE has identified as EU RoHS compliant have a maximum concentration of 0.1% by weight in homogenous materials for lead, hexavalent chromium, mercury, PBB, PBDE, DBP, BBP, DEHP, DIBP, and 0.01% for cadmium, or qualify for an exemption to these limits as defined in the Annexes of Directive 2011/65/EU (RoHS2). Finished electrical and electronic equipment products will be CE marked as required by Directive 2011/65/EU. Components may not be CE marked. Additionally, the part numbers that TE has identified as EU ELV compliant have a maximum concentration of 0.1% by weight in homogenous materials for lead, hexavalent chromium, and mercury, and 0.01% for cadmium, or qualify for an exemption to these limits as defined in the Annexes of Directive 2000/53/EC (ELV). Regarding the REACH Regulation, the information TE provides on SVHC in articles for this part number is based on the latest European Chemicals Agency (ECHA) 'Guidance on requirements for substances in articles' posted at this URL: <https://echa.europa.eu/guidance-documents/guidance-on-reach>

### Compatible Parts




TE Part # CAT-G3353-T273  
GET .64 CONNECTOR SYSTEM,  
RECEIPT AND TAB




TE Part # 6-1419166-2  
1X4MALE IL ASSY "B"


### Also in the Series | Get .64 Connector System




Automotive Connector Caps & Covers  
(7)



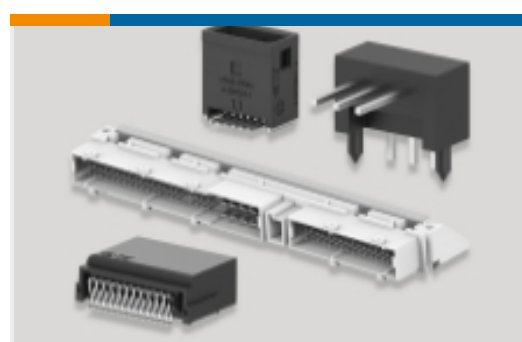
Automotive Housings(108)



Automotive Terminals(30)



Insertion & Extraction Tools(1)



PCB Headers &amp; Receptacles(1)

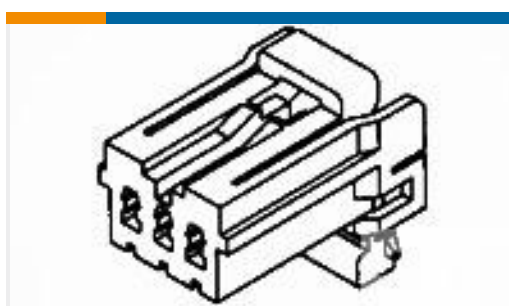
## Customers Also Bought



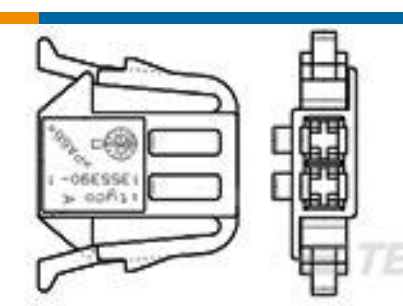
TE Part #1452598-1  
GET .64 CONNECTOR SYSTEM,  
CONNECTOR HSG



TE Part #5-1618388-9  
LEV200A6NAF=RELAY, SPST-NO



TE Part #174923-1  
070 MLC PLUG 6P



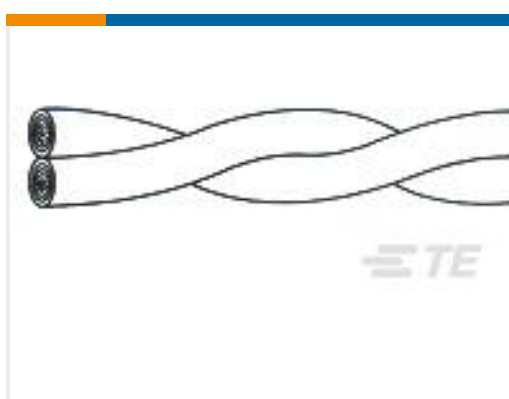
TE Part #1355390-1  
JUN-POW-TIM GEH 2P



TE Part #3161853001  
55A1121-20-0/9-9



TE Part #1379218-2  
COVER FOR 5W MPQ+MQS HSG



TE Part #3162383002  
55A0121-26-2/6



TE Part #EPM-4001  
MOLDED DETECTOR ASSY

## Documents

### Product Drawings

1X4 Fem unsealed LP assy Key B

English

### CAD Files

Customer View Model

[ENG\\_CVM\\_CVM\\_1456983-3\\_C.2d\\_dxf.zip](#)

English

3D PDF

3D

Customer View Model

[ENG\\_CVM\\_CVM\\_1456983-3\\_C.3d\\_igs.zip](#)

English

Customer View Model

[ENG\\_CVM\\_CVM\\_1456983-3\\_C.3d\\_stp.zip](#)

English

By downloading the CAD file I accept and agree to the [Terms and Conditions](#) of use.



---

**Datasheets & Catalog Pages**

[GET 0.64 Interconnection System](#)

English

---

**Product Environmental Compliance**

[TE Material Declaration](#)

English