

1452169-1 ✓ ACTIVE

AMP | Timer Connector System

TE Internal #: 1452169-1

Housing for Female Terminals, Wire-to-Device / Wire-to-Board, 10 Position, .217 in [5.5 mm] Centerline, Sealable, Black, Timer Connector System

[View on TE.com >](#)



Connectors > Automotive Connectors > Connector Housings > TIMER, CONNECTOR HOUSING



Connector & Housing Type: **Housing for Female Terminals**

Mating Tab Width: **1.5 mm [ .059 in ]**

Connector System: **Wire-to-Board, Wire-to-Device**

Number of Positions: **10**

Centerline (Pitch): **5.5 mm [ .217 in ]**

[All TIMER, CONNECTOR HOUSING \(543\)](#)

### Features

#### Product Type Features

Connector & Housing Shape	Rectangular
Connector & Housing Type	Housing for Female Terminals
Connector System	Wire-to-Board, Wire-to-Device
Sealable	Yes
Hybrid Connector	No
Primary Locking Feature	Integrated in Housing

#### Configuration Features

Number of Positions	10
Number of Rows	3

#### Electrical Characteristics

Operating Voltage	14 VDC
Nominal Voltage Architecture	12 V



### Body Features

Cable Exit Angle	180°
Body Material	PBT GF
Primary Product Color	Black

### Contact Features

Contact Size	1.5mm
Contact Type	Receptacle
Mating Tab Width	1.5 mm[.059 in]

### Mechanical Attachment

Mounting Feature	Without
Terminal Position Assurance	Yes
Strain Relief	Without
Mating Alignment Type	Polarizing Slot
Mating Alignment	With
Connector Mounting Type	Cable Mount (Free-Hanging)

### Housing Features

Centerline (Pitch)	5.5 mm[.217 in]
--------------------	-----------------

### Dimensions

Product Width	31.15 mm[1.226 in]
Product Length	47.45 mm[1.868 in]
Product Height	22.8 mm[.898 in]
Row-to-Row Spacing	4.5 mm[.177 in]

### Usage Conditions

Operating Temperature (Max)	70 °C, 75 °C, 80 °C, 85 °C, 90 °C, 100 °C [158 °F][167 °F][176 °F][185 °F][194 °F][212 °F]
Operating Temperature Range	-40 – 100 °C[-40 – 212 °F]

### Operation/Application

Circuit Application	Signal
---------------------	--------

### Packaging Features

Packaging Quantity	204
Packaging Method	Package



Other

Serviceable	No
Connector Position Assurance Capable	Yes

Product Compliance

[For compliance documentation, visit the product page on TE.com>](#)

EU RoHS Directive 2011/65/EU	Compliant
EU ELV Directive 2000/53/EC	Compliant
China RoHS 2 Directive MIIT Order No 32, 2016	No Restricted Materials Above Threshold
EU REACH Regulation (EC) No. 1907/2006	Current ECHA Candidate List: JUNE 2022 (224) Candidate List Declared Against: JAN 2022 (223) SVHC > Threshold: Not Yet Reviewed
Halogen Content	BFR/CFR/PVC Free, but Br/Cl >900 ppm in other sources.
Solder Process Capability	Not applicable for solder process capability

Product Compliance Disclaimer

This information is provided based on reasonable inquiry of our suppliers and represents our current actual knowledge based on the information they provided. This information is subject to change. The part numbers that TE has identified as EU RoHS compliant have a maximum concentration of 0.1% by weight in homogenous materials for lead, hexavalent chromium, mercury, PBB, PBDE, DBP, BBP, DEHP, DIBP, and 0.01% for cadmium, or qualify for an exemption to these limits as defined in the Annexes of Directive 2011/65/EU (RoHS2). Finished electrical and electronic equipment products will be CE marked as required by Directive 2011/65/EU. Components may not be CE marked. Additionally, the part numbers that TE has identified as EU ELV compliant have a maximum concentration of 0.1% by weight in homogenous materials for lead, hexavalent chromium, and mercury, and 0.01% for cadmium, or qualify for an exemption to these limits as defined in the Annexes of Directive 2000/53/EC (ELV). Regarding the REACH Regulation, the information TE provides on SVHC in articles for this part number is based on the latest European Chemicals Agency (ECHA) 'Guidance on requirements for substances in articles' posted at this URL: <https://echa.europa.eu/guidance-documents/guidance-on-reach>

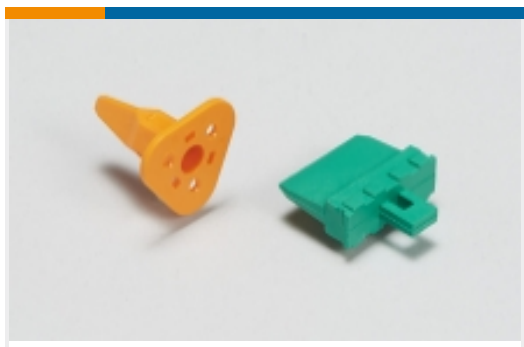
Compatible Parts

<p>TE Part # 1452179-2 DOOR LATCH HDR,RE10</p>	<p>TE Part # 1-1452179-1 DOOR LATCH HDR,LN6P</p>	<p>TE Part # 1452173-1 DOOR LATCH COVER10P</p>
--	--	--

Also in the Series | [Timer Connector System](#)



Automotive Connector Caps & Covers (11)



Automotive Connector Locks & Position Assurance(16)



Automotive Housings(219)



Automotive Seals & Cavity Plugs(31)



Automotive Terminals(140)



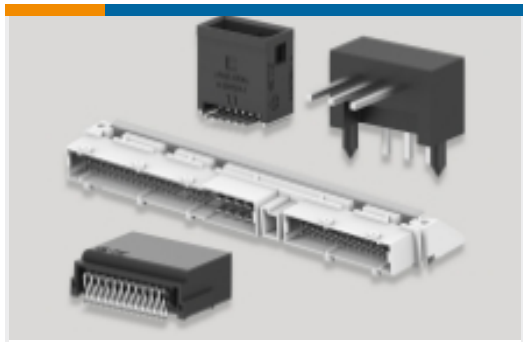
Crimp Terminal Housings(13)



Insertion & Extraction Tools(20)



Other Automotive Connector Accessories(1)



PCB Headers & Receptacles(78)



Quick Disconnects(4)

## Customers Also Bought



TE Part #1612268-1  
TH/.025 CONNECTOR SYSTEM,  
HOUSING



TE Part #1418893-1  
2POS.JPT HSG. ASSY



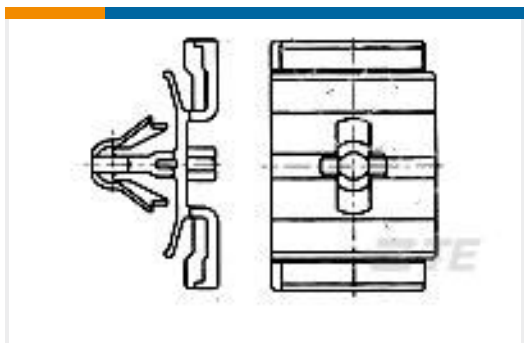
TE Part #HDP26-24-18PN-L015  
DEUTSCH HDP20 HOUSINGS



TE Part #1746817-1  
SEALED EFI ECU 60P PLUG WIRE  
COVER



TE Part #1747142-1  
SEALED EFI ECU 60POS LEVER R



TE Part #282322-1  
HOOK FOR SEALED SEC.CONN.



TE Part #185402-2  
MODULAR RELAY HOLDER



TE Part #1719183-2  
8POS MQS REC COD B

## Documents



## Product Drawings

### DOOR LATCH BU-ST10P

English

---

## CAD Files

### 3D PDF

3D

#### Customer View Model

[ENG\\_CVM\\_CVM\\_1452169-1\\_D.2d\\_dxf.zip](#)

English

#### Customer View Model

[ENG\\_CVM\\_CVM\\_1452169-1\\_D.3d\\_igs.zip](#)

English

#### Customer View Model

[ENG\\_CVM\\_CVM\\_1452169-1\\_D.3d\\_stp.zip](#)

English

By downloading the CAD file I accept and agree to the [Terms and Conditions](#) of use.

---

## Datasheets & Catalog Pages

### Timer Interconnection System

English