

147378-8 ✓ ACTIVE

AMPMODU System 50

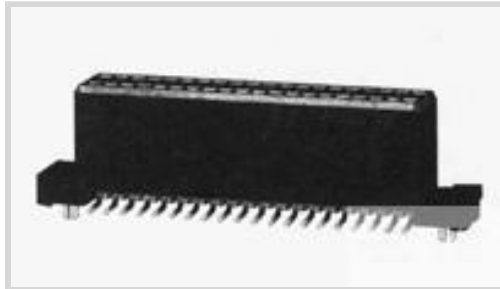
TE Internal #: 147378-8

PCB Mount Receptacle, Vertical, Board-to-Board, 100 Position, .05 in [1.27 mm] Centerline, Gold, Surface Mount, Signal, Black, AMPMODU System 50

[View on TE.com >](#)



Connectors > PCB Connectors > PCB Headers & Receptacles



PCB Connector Assembly Type: **PCB Mount Receptacle**

PCB Mount Orientation: **Vertical**

Connector System: **Board-to-Board**

Number of Positions: **100**

Number of Rows: **2**

Features

Product Type Features

PCB Connector Assembly Type	PCB Mount Receptacle
Connector System	Board-to-Board
Sealable	No
Connector & Contact Terminates To	Printed Circuit Board

Configuration Features

PCB Mount Orientation	Vertical
Number of Positions	100
Number of Rows	2
Board-to-Board Configuration	Parallel

Body Features

Primary Product Color	Black
-----------------------	-------

Contact Features

Contact Mating Area Plating Material	Gold
Contact Mating Area Plating Material Thickness	.76 μ m[30 μ in]
Contact Type	Socket
Contact Current Rating (Max)	3.6 A

Termination Features

Rectangular Termination Post & Tail Thickness	3.6 mm
---	--------



Termination Method to Printed Circuit Board

Surface Mount

Mechanical Attachment

Mating Alignment

With

Mating Alignment Type

Polarization

PCB Mount Retention

Without

PCB Mount Alignment

Without

Connector Mounting Type

Board Mount

Housing Features

Centerline (Pitch)

1.27 mm[.05 in]

Housing Material

LCP

Dimensions

Row-to-Row Spacing

2.54 mm[.1 in]

PCB Thickness (Recommended)

1.57 mm[.062 in]

Usage Conditions

Housing Temperature Rating

High

Operating Temperature Range

-65 – 105 °C[-85 – 221 °F]

Operation/Application

Circuit Application

Signal

Industry Standards

UL Flammability Rating

UL 94V-0

Packaging Features

Packaging Type

Tape & Reel

Product Compliance

For compliance documentation, visit the product page on [TE.com](https://www.te.com)>

EU RoHS Directive 2011/65/EU

Not Compliant

EU ELV Directive 2000/53/EC

Not Compliant

China RoHS 2 Directive MIIT Order No 32, 2016

Restricted Materials Above Threshold

EU REACH Regulation (EC) No. 1907/2006

Current ECHA Candidate List: JUNE 2022
(224)
Candidate List Declared Against: JAN 2020
(205)
SVHC > Threshold:
Pb (13% in COMPONENT PART)



Article Safe Usage Statements:

Do not eat, drink or smoke when using this product. Wash thoroughly after handling. Recycle if possible and dispose of the article by following all applicable governmental regulations relevant to your geographic location.

Halogen Content

Low Halogen - Br, Cl, F, I < 900 ppm per homogenous material. Also BFR/CFR/PVC Free

Solder Process Capability

Reflow solder capable to 260°C

Product Compliance Disclaimer

This information is provided based on reasonable inquiry of our suppliers and represents our current actual knowledge based on the information they provided. This information is subject to change. The part numbers that TE has identified as EU RoHS compliant have a maximum concentration of 0.1% by weight in homogenous materials for lead, hexavalent chromium, mercury, PBB, PBDE, DBP, BBP, DEHP, DIBP, and 0.01% for cadmium, or qualify for an exemption to these limits as defined in the Annexes of Directive 2011/65/EU (RoHS2). Finished electrical and electronic equipment products will be CE marked as required by Directive 2011/65/EU. Components may not be CE marked. Additionally, the part numbers that TE has identified as EU ELV compliant have a maximum concentration of 0.1% by weight in homogenous materials for lead, hexavalent chromium, and mercury, and 0.01% for cadmium, or qualify for an exemption to these limits as defined in the Annexes of Directive 2000/53/EC (ELV). Regarding the REACH Regulation, the information TE provides on SVHC in articles for this part number is based on the latest European Chemicals Agency (ECHA) 'Guidance on requirements for substances in articles' posted at this URL: <https://echa.europa.eu/guidance-documents/guidance-on-reach>

Compatible Parts



TE Part # 1-104549-0
100 SYS50 SRFMNT HDR DRST SHRD



TE Part # 1-104068-7
100 SYSTEM 50 HDR DRST SHRD



TE Part # 104666-6
100 SYSTEM 50 HDR DRST SHRD



TE Part # 1-103916-7
100 SYSTEM 50 HDR DRST UNSHRD



TE Part # 1-104069-7
100 SYSTEM 50 HDR DRRA SHRD



TE Part # 104477-7
100 SYSTEM 50 HDR DRRA SHRD

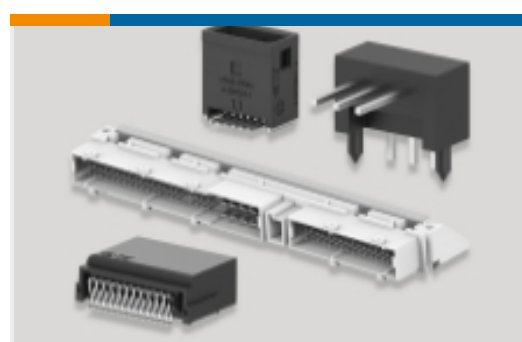


TE Part # 104550-9
100 SYS50 SURFMNT DRST RCPT



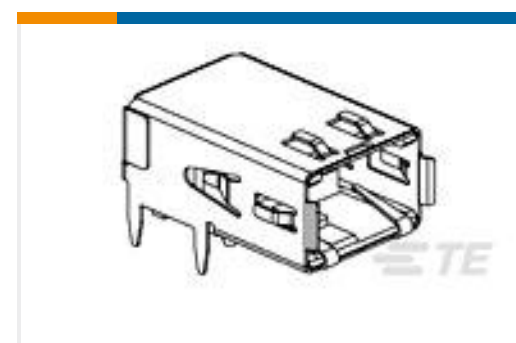
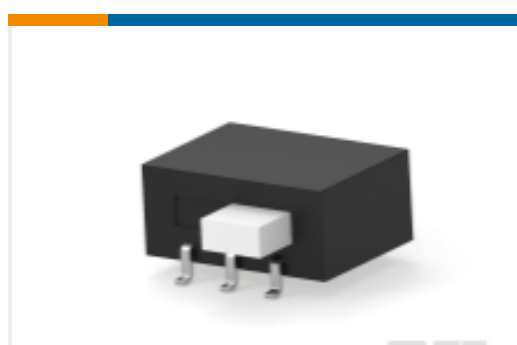
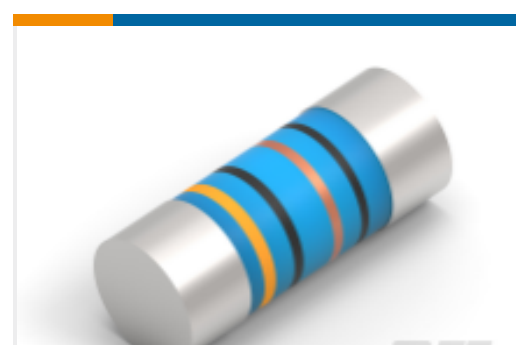
TE Part # 147377-8
100 SYS50 SMT HDRDR SHD W/O HD

Also in the Series | **AMPMODU System 50**



PCB Headers & Receptacles(1014)

Customers Also Bought

TE Part #4-2176391-7
RQ 1206 37K4 0.1% 10PPM 5K RLTE Part #1-928836-2
MOD2 PIN WITH A-PIN L/PTE Part #7-2176246-6
CRGS2512 5% 1M8TE Part #1761072-3
RECPT,HSSDC2,FIBRE,TRAY PKGTE Part #3-1415020-1
PT570N20TE Part #1-1437581-1
ASE22RL=AUTOSLIDE DPTE Part #2176314-4
MELF SMA_A 180R 0.1% 15PPM 0102
0.3W

Documents

Product Drawings

100 SYS50 SMT RCPDR SHD W/O HD

English

CAD Files

3D PDF

3D

Customer View Model

[ENG_CVM_CVM_147378-8_G.2d_dxf.zip](#)

English

Customer View Model

[ENG_CVM_CVM_147378-8_G.3d_igs.zip](#)

English

Customer View Model

[ENG_CVM_CVM_147378-8_G.3d_stp.zip](#)

English

By downloading the CAD file I accept and agree to the [Terms and Conditions](#) of use.



Product Specifications

Application Specification

English

Product Environmental Compliance

TE Material Declaration

English