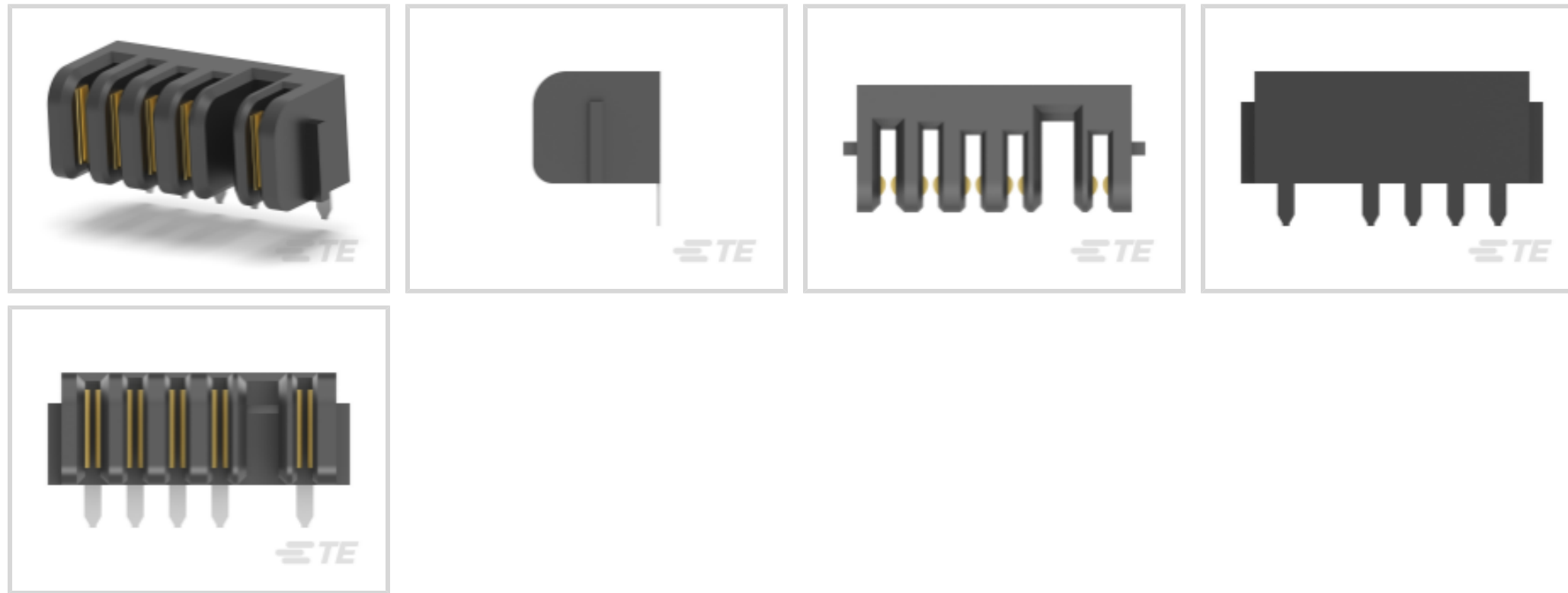




TE Internal #: 1473969-1  
 DC Jack Connectors, Board-to-Board, 5 Position, 2.5 mm [.098 in]  
 Centerline, Receptacle, 30 VDC, Right Angle, Printed Circuit Board,  
 Power & Signal

[View on TE.com >](#)

Connectors > PCB Connectors > Battery Connectors & Holders > DC Jack Connectors



Connector System: **Board-to-Board**  
 Number of Positions: **5**  
 Centerline (Pitch): **2.5 mm [.098 in]**  
 Connector & Housing Type: **Receptacle**  
 Operating Voltage: **30 VDC**

**Features**

**Product Type Features**

Connector System	Board-to-Board
Connector & Housing Type	Receptacle
Sealable	No
Connector & Contact Terminates To	Printed Circuit Board

**Configuration Features**

Number of Positions	5
PCB Mount Orientation	Right Angle

**Electrical Characteristics**

Operating Voltage	30 VDC
-------------------	--------

**Contact Features**

Contact Current Rating (Max)	7 A
------------------------------	-----

**Mechanical Attachment**

PCB Mount Retention	Without
Connector Mounting Type	Board Mount



### Housing Features

Centerline (Pitch)	2.5 mm [.098 in]
--------------------	------------------

### Usage Conditions

Operating Temperature Range	-20 – 80 °C [-4 – 176 °F]
-----------------------------	---------------------------

### Operation/Application

Circuit Application	Power & Signal
---------------------	----------------

### Packaging Features

Packaging Quantity	100
Packaging Method	Tray

### Product Compliance

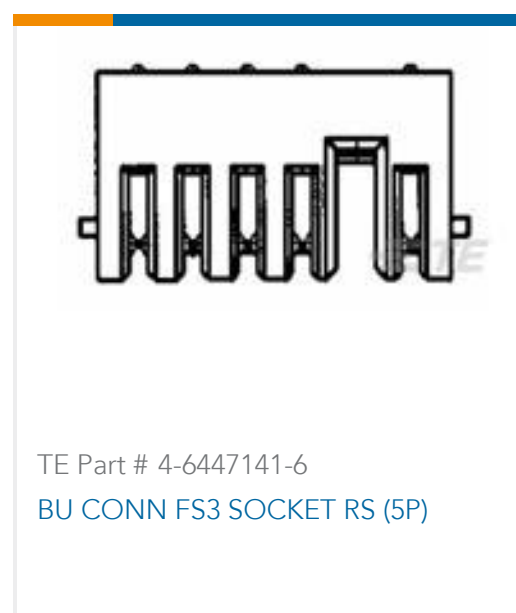
[For compliance documentation, visit the product page on TE.com>](#)

EU RoHS Directive 2011/65/EU	Compliant
EU ELV Directive 2000/53/EC	Compliant
China RoHS 2 Directive MIIT Order No 32, 2016	No Restricted Materials Above Threshold
EU REACH Regulation (EC) No. 1907/2006	Current ECHA Candidate List: JUNE 2022 (224) Candidate List Declared Against: JAN 2022 (223) SVHC > Threshold: Not Yet Reviewed
Halogen Content	Not Low Halogen - contains Br or Cl > 900 ppm.
Solder Process Capability	Wave solder capable to 260°C

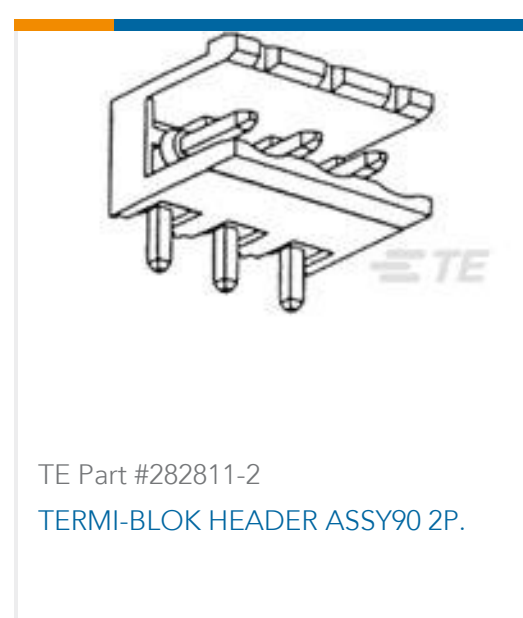
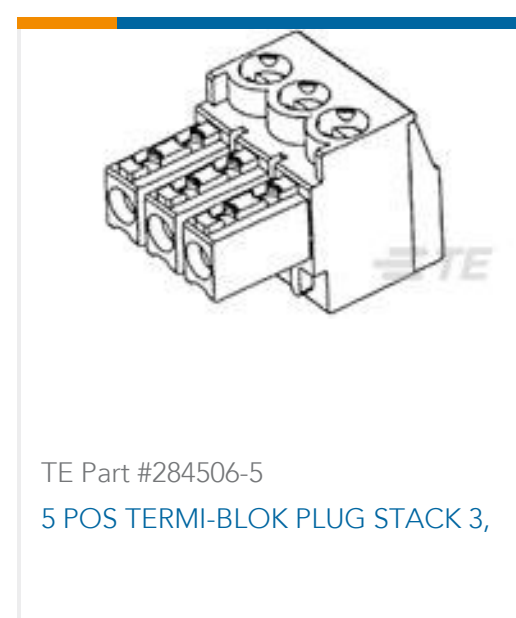
#### Product Compliance Disclaimer

This information is provided based on reasonable inquiry of our suppliers and represents our current actual knowledge based on the information they provided. This information is subject to change. The part numbers that TE has identified as EU RoHS compliant have a maximum concentration of 0.1% by weight in homogenous materials for lead, hexavalent chromium, mercury, PBB, PBDE, DBP, BBP, DEHP, DIBP, and 0.01% for cadmium, or qualify for an exemption to these limits as defined in the Annexes of Directive 2011/65/EU (RoHS2). Finished electrical and electronic equipment products will be CE marked as required by Directive 2011/65/EU. Components may not be CE marked. Additionally, the part numbers that TE has identified as EU ELV compliant have a maximum concentration of 0.1% by weight in homogenous materials for lead, hexavalent chromium, and mercury, and 0.01% for cadmium, or qualify for an exemption to these limits as defined in the Annexes of Directive 2000/53/EC (ELV). Regarding the REACH Regulation, the information TE provides on SVHC in articles for this part number is based on the latest European Chemicals Agency (ECHA) 'Guidance on requirements for substances in articles' posted at this URL: <https://echa.europa.eu/guidance-documents/guidance-on-reach>

### Compatible Parts



## Customers Also Bought



## Documents

### Product Drawings

REC ASS'Y FOR 2.5 SLIM BATTERY

English

### CAD Files

3D PDF

3D

Customer View Model

ENG\_CVM\_CVM\_1473969-1\_C1.2d\_dxf.zip



English

**Customer View Model**

[ENG\\_CVM\\_CVM\\_1473969-1\\_C1.3d\\_igs.zip](#)

English

**Customer View Model**

[ENG\\_CVM\\_CVM\\_1473969-1\\_C1.3d\\_stp.zip](#)

English

By downloading the CAD file I accept and agree to the [Terms and Conditions](#) of use.

---

### Datasheets & Catalog Pages

[2\\_PIECE\\_POWER\\_CONNECTORS\\_qrg\\_4-1773458-1](#)

English

---

### Product Specifications

[2.5mm Pitch Battery Connector](#)

Japanese

[Product Specification](#)

Japanese

[2.5mm Pitch Battery Connector.](#)

Japanese

[Product Specification](#)

Japanese

---

### Product Environmental Compliance

[TE Material Declaration](#)

English