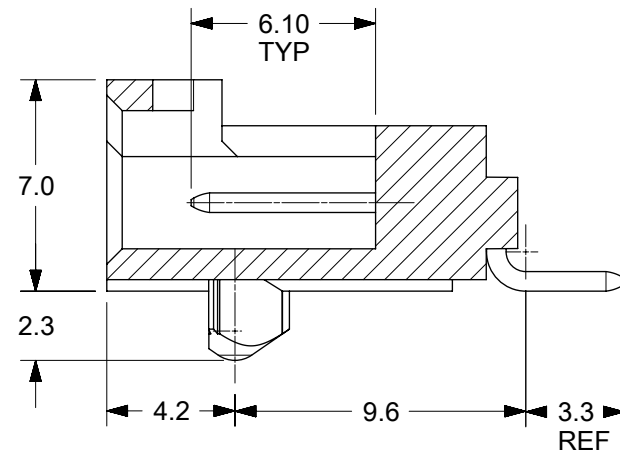
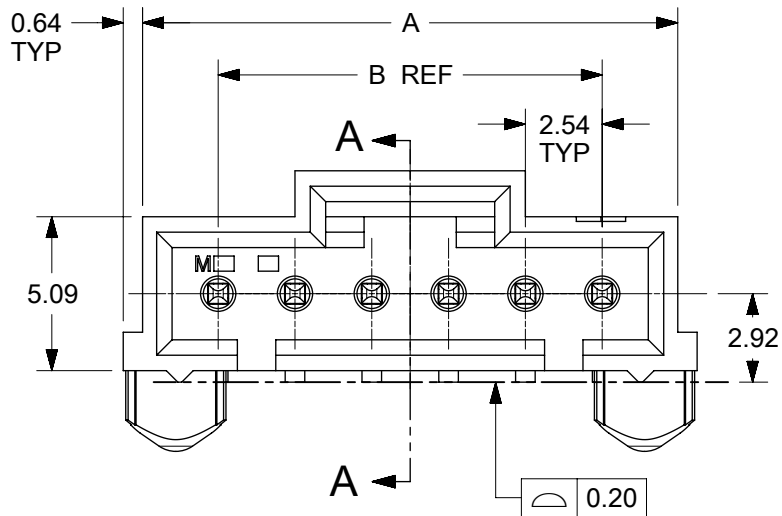
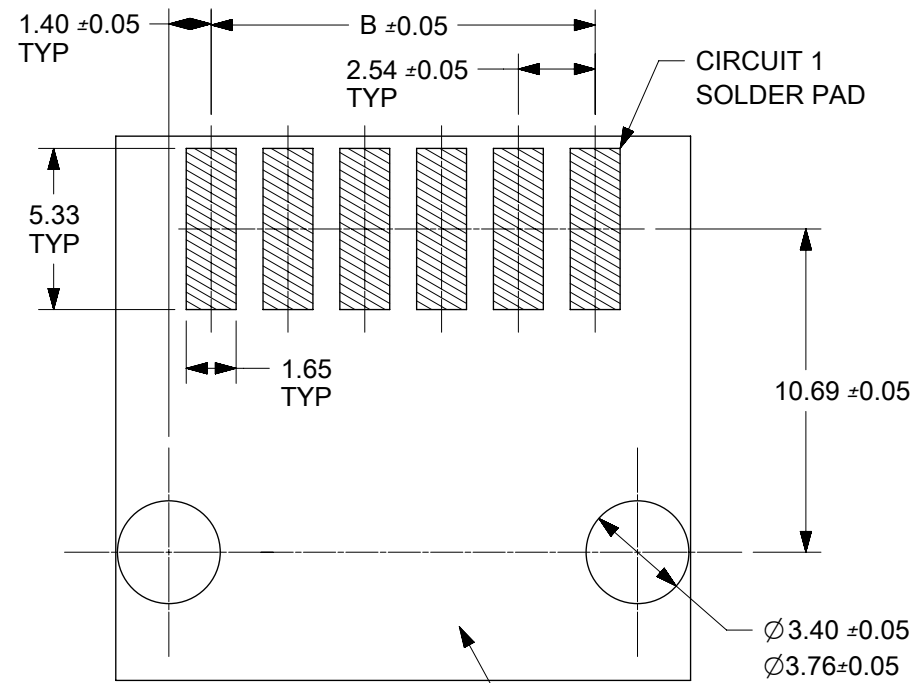


2 AND 3 CIRCUIT PARTS HAVE 1 SLOT



SECTION A-A

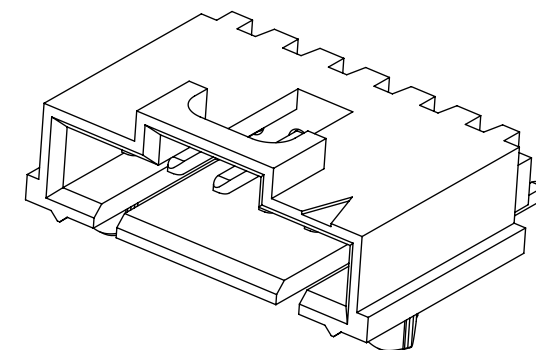


PCB LAYOUT: COMPONENT SIDE

RESTRICTED AREA

NOTES:

- HOUSING MATERIAL: POLYESTER, UL94V-0, BLACK
TERMINAL MATERIAL: PHOS BRONZE
- FINISH:
TIN = OVERALL BRIGHT TIN: 2.54 MICROMETERS MIN
0.38 GOLD = SELECT GOLD IN CONTACT AREA: 0.38 MICROMETERS MIN
SELECT MATTE TIN IN PC TAIL: 1.9 MICROMETERS MIN
WITH OVERALL NICKEL UNDERPLATE
0.75 GOLD = SELECT GOLD IN CONTACT AREA: 0.75 MICROMETERS MIN
SELECT MATTE TIN IN PC TAIL: 1.9 MICROMETERS MIN
WITH OVERALL NICKEL UNDERPLATE
- PRODUCT SPECIFICATION: PS-70541
- PACKAGING SPECIFICATION: SEE CHART
- HEADER MATES WITH: 70400 AND 70430 SERIES OPTION "G" SL CONNECTORS
- COSMETIC SPECIFICATION: PS-45499-002 CLASS B
- SOLDERABILITY PER SMES-152 LEAD FREE ALLOY



6 CIRCUIT PART SHOWN SEE SHEET 2 FOR OTHER OPTIONS

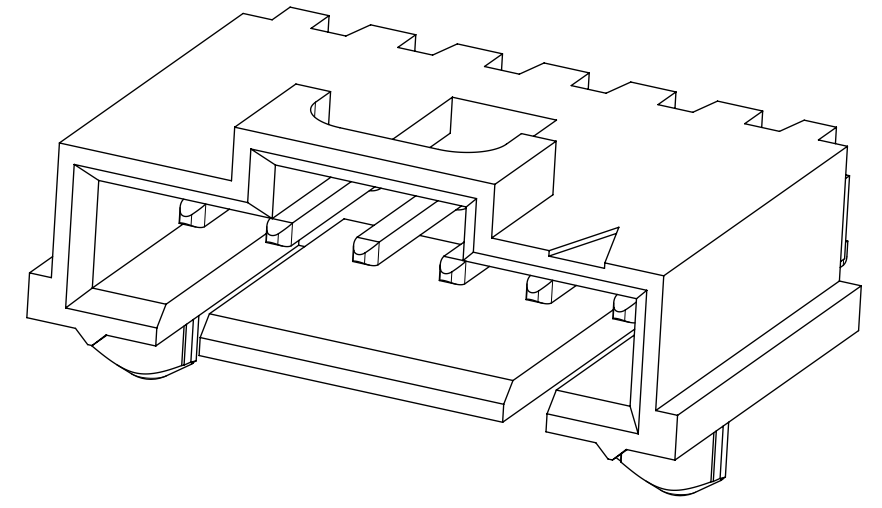
CKTS	A	B
2	7.37	2.54
3	10.17	5.08
4	12.71	7.62
5	15.25	10.16
6	17.79	12.70
7	20.33	15.24
8	22.87	17.78
9	25.41	20.32
10	27.95	22.86
11	30.49	25.40
12	33.03	27.94
13	35.57	30.48
14	38.11	33.02
15	40.65	35.56
16	43.19	38.10
17	45.73	40.64
18	48.27	43.18
19	50.81	45.72
20	53.35	48.26
21	55.89	50.80
22	58.43	53.34
23	60.97	55.88
24	63.51	58.42
25	66.05	60.96

WAS SDA-70634-****

THIS DRAWING CONTAINS INFORMATION THAT IS PROPRIETARY TO MOLEX ELECTRONIC TECHNOLOGIES, LLC AND SHOULD NOT BE USED WITHOUT WRITTEN PERMISSION											
QUALITY SYMBOLS ▽ = 0 ▽ = 0 ▽ = 0 ▼ = 0 ▽ = 0 ⊠ = 0 ■ = 0 ▽ = 0	EC NO: 118141 DRWN: KSAMIEC CHKD: APPR: FSMITH	TRANS TO 3106 2017/06/15 2017/08/28	GENERAL TOLERANCES (UNLESS SPECIFIED)		DIMENSION UNITS	SCALE					
			ANGULAR TOL ± °		mm	5:1					
			4 PLACES ±		DRWN BY	DATE	SL RTAN HEADER ASSEMBLY SMT WITH PEGS				
			3 PLACES ±		KSAMIEC	2017/06/15					
2 PLACES ± 0.25		CHK'D BY	DATE	PRODUCT CUSTOMER DRAWING							
1 PLACE ± 0.38		APPR BY	DATE								
0 PLACES ± 0.0		FSMITH	2017/08/28	SERIES	MATERIAL NUMBER	CUSTOMER					
DRAFT WHERE APPLICABLE MUST REMAIN WITHIN DIMENSIONS		DRAWING SIZE	THIRD ANGLE PROJECTION	70634	SEE CHART						
		B		DOCUMENT NUMBER	DOC TYPE	DOC PART	SHEET NUMBER				
				706340000-SD	PSD	000	1 OF 3				

	TIN		0.38 GOLD		0.75 GOLD	
CIRCUIT SIZE	MATERIAL NUMBER	ENGINEERING	MATERIAL NUMBER	ENGINEERING	MATERIAL NUMBER	ENGINEERING
2	15-91-3024	70634-0001	15-91-2025	70634-0036	15-91-3023	70634-0071
3	15-91-3034	70634-0002	15-91-2035	70634-0037	15-91-3033	70634-0072
4	15-91-3044	70634-0003	15-91-2045	70634-0038	15-91-3043	70634-0073
5	15-91-3054	70634-0004	15-91-2055	70634-0039	15-91-3053	70634-0074
6	15-91-3064	70634-0005	15-91-2065	70634-0040	15-91-3063	70634-0075
7	15-91-3074	70634-0006	15-91-2075	70634-0041	15-91-3073	70634-0076
8	15-91-3084	70634-0007	15-91-2085	70634-0042	15-91-3083	70634-0077
9	15-91-3094	70634-0008	15-91-2095	70634-0043	15-91-3093	70634-0078
10	15-91-3104	70634-0009	15-91-2105	70634-0044	15-91-3103	70634-0079
11	15-91-3114	70634-0010	15-91-2115	70634-0045	15-91-3113	70634-0080
12	15-91-3124	70634-0011	15-91-2125	70634-0046	15-91-3123	70634-0081
13	15-91-3134	70634-0012	15-91-2135	70634-0047	15-91-3133	70634-0082
14	15-91-3144	70634-0013	15-91-2145	70634-0048	15-91-3143	70634-0083
15	15-91-3154	70634-0014	15-91-2155	70634-0049	15-91-3153	70634-0084
16	15-91-3164	70634-0015	15-91-2165	70634-0050	15-91-3163	70634-0085
17	15-91-3174	70634-0016	15-91-2175	70634-0051	15-91-3173	70634-0086
18	15-91-3184	70634-0017	15-91-2185	70634-0052	15-91-3183	70634-0087
19	15-91-3194	70634-0018	15-91-2195	70634-0053	15-91-3193	70634-0088
20	15-91-3204	70634-0019	15-91-2205	70634-0054	15-91-3203	70634-0089
21	15-91-3214	70634-0020	15-91-2215	70634-0055	15-91-3213	70634-0090
22	15-91-3224	70634-0021	15-91-2225	70634-0056	15-91-3223	70634-0091
23	15-91-3234	70634-0022	15-91-2235	70634-0057	15-91-3233	70634-0092
24	15-91-3244	70634-0023	15-91-2245	70634-0058	15-91-3243	70634-0093
25	15-91-3254	70634-0024	15-91-2255	70634-0059	15-91-3253	70634-0094

ALL PARTS ON THIS PAGE ARE PACKAGED IN TUBES PER PK-70873-016



B

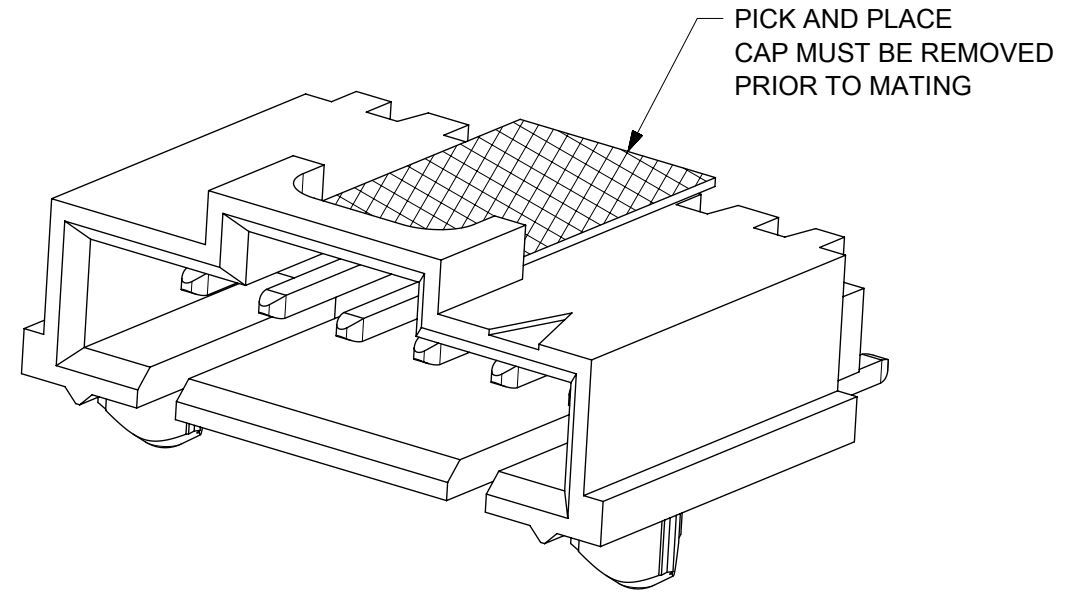
A

QUALITY SYMBOLS 	THIS DRAWING CONTAINS INFORMATION THAT IS PROPRIETARY TO MOLEX ELECTRONIC TECHNOLOGIES, LLC AND SHOULD NOT BE USED WITHOUT WRITTEN PERMISSION											
	EC NO: 118141 DRWN: KSAMIEC CHKD: APPR: FSMITH TRANS TO 3106	2017/06/15 2017/08/28	GENERAL TOLERANCES (UNLESS SPECIFIED)		DIMENSION UNITS	SCALE						
			ANGULAR TOL ± °		mm	5:1						
			4 PLACES ±	DRWN BY	DATE							
			3 PLACES ±	KSAMIEC	2017/06/15	CHK'D BY		DATE	SL RTAN HEADER ASSEMBLY SMT WITH PEGS			
			2 PLACES ± 0.25	APPR BY		DATE						
	1 PLACE ± 0.38	FSMITH	2017/08/28	PRODUCT CUSTOMER DRAWING								
	0 PLACES ± 0.0	DRAFT WHERE APPLICABLE MUST REMAIN WITHIN DIMENSIONS		DRAWING SIZE	THIRD ANGLE PROJECTION	SERIES	MATERIAL NUMBER	CUSTOMER				
				B		70634	SEE CHART					
						DOCUMENT NUMBER	DOC TYPE	DOC PART	SHEET NUMBER			
					706340000-SD	PSD	000	2 OF 3				

RELEASE STATUS	P1	RELEASE DATE	28.08.2017	16:51:32
----------------	----	--------------	------------	----------

	TIN		0.38 GOLD		0.75 GOLD	
CIRCUIT SIZE	MATERIAL NUMBER	ENGINEERING	MATERIAL NUMBER	ENGINEERING	MATERIAL NUMBER	ENGINEERING
2	15-91-6029	70634-0106	15-91-7020	70634-0141	15-91-7021	70634-0176
3	15-91-6039	70634-0107	15-91-7030	70634-0142	15-91-7031	70634-0177
4	15-91-6049	70634-0108	15-91-7040	70634-0143	15-91-7041	70634-0178
5	15-91-6059	70634-0109	15-91-7050	70634-0144	15-91-7051	70634-0179
6	15-91-6069	70634-0110	15-91-7060	70634-0145	15-91-7061	70634-0180
7	15-91-6079	70634-0111	15-91-7070	70634-0146	15-91-7071	70634-0181
8	15-91-6089	70634-0112	15-91-7080	70634-0147	15-91-7081	70634-0182
9	15-91-6099	70634-0113	15-91-7090	70634-0148	15-91-7091	70634-0183
10	15-91-6109	70634-0114	15-91-7100	70634-0149	15-91-7101	70634-0184
11	15-91-6119	70634-0115	15-91-7110	70634-0150	15-91-7111	70634-0185
12	15-91-6129	70634-0116	15-91-7120	70634-0151	15-91-7121	70634-0186
13	15-91-6139	70634-0117	15-91-7130	70634-0152	15-91-7131	70634-0187
14	15-91-6149	70634-0118	15-91-7140	70634-0153	15-91-7141	70634-0188
15	15-91-6159	70634-0119	15-91-7150	70634-0154	15-91-7151	70634-0189
16	15-91-6169	70634-0120	15-91-7160	70634-0155	15-91-7161	70634-0190
17	15-91-6179	70634-0121	15-91-7170	70634-0156	15-91-7171	70634-0191
18	15-91-6189	70634-0122	15-91-7180	70634-0157	15-91-7181	70634-0192
19	15-91-6199	70634-0123	15-91-7190	70634-0158	15-91-7191	70634-0193
20	15-91-6209	70634-0124	15-91-7200	70634-0159	15-91-7201	70634-0194
21	15-91-6219	70634-0125	15-91-7210	70634-0160	15-91-7211	70634-0195
22	15-91-6229	70634-0126	15-91-7220	70634-0161	15-91-7221	70634-0196
23	15-91-6239	70634-0127	15-91-7230	70634-0162	15-91-7231	70634-0197
24	15-91-6249	70634-0128	15-91-7240	70634-0163	15-91-7241	70634-0198
25	15-91-6259	70634-0129	15-91-7250	70634-0164	15-91-7251	70634-0199

ALL PARTS ON THIS PAGE ARE TAPE AND REEL PACKED WITH A PICK AND PLACE CAP PER PK-70873-001



QUALITY SYMBOLS 	THIS DRAWING CONTAINS INFORMATION THAT IS PROPRIETARY TO MOLEX ELECTRONIC TECHNOLOGIES, LLC AND SHOULD NOT BE USED WITHOUT WRITTEN PERMISSION										
	EC NO: 118141 DRWN: KSAMIEC CHKD: APPR: FSMITH TRANS TO 3106	2017/06/15 2017/08/28	GENERAL TOLERANCES (UNLESS SPECIFIED)		DIMENSION UNITS	SCALE					
			ANGULAR TOL ±		mm	5:1					
			4 PLACES ±	KSAMIEC	DATE	2017/06/15					
			3 PLACES ±	CHK'D BY	DATE		SL RTAN HEADER ASSEMBLY SMT WITH PEGS				
			2 PLACES ± 0.25	APPR BY	DATE	FSMITH 2017/08/28					
	1 PLACE ± 0.38	DRAWING SIZE		THIRD ANGLE PROJECTION		PRODUCT CUSTOMER DRAWING					
	0 PLACES ± 0.0	DRAFT WHERE APPLICABLE MUST REMAIN WITHIN DIMENSIONS		B			SERIES	MATERIAL NUMBER	CUSTOMER		
		A	REV			70634		SEE CHART			
						DOCUMENT NUMBER		DOC TYPE	DOC PART	SHEET NUMBER	
					706340000-SD		PSD	000	3 OF 3		