

1456983-2 ✓ ACTIVE



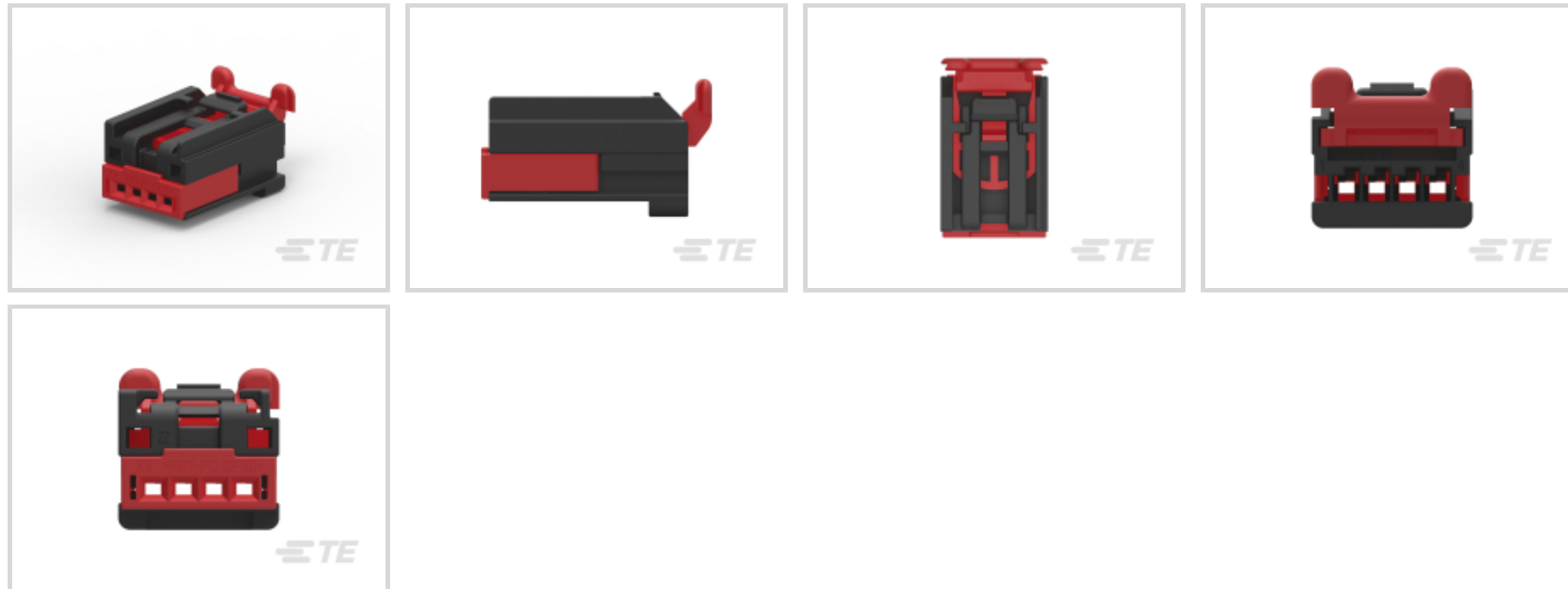
Get .64 Connector System

TE Internal #: 1456983-2

Housing for Female Terminals, Wire-to-Device / Wire-to-Board, 4 Position, .1 in [2.54 mm] Centerline, Black, Signal, Get .64 Connector System

[View on TE.com >](#)

Connectors > Automotive Connectors > Connector Housings > GET .64 CONNECTOR SYSTEM, CONNECTOR HSG



Connector & Housing Type: **Housing for Female Terminals**

Mating Tab Width: **1 mm [.039 in]**

Connector System: **Wire-to-Board, Wire-to-Device**

Number of Positions: **4**

Centerline (Pitch): **2.54 mm [.1 in]**

[All GET .64 CONNECTOR SYSTEM, CONNECTOR HSG \(106\)](#)

Features

Product Type Features

Connector & Housing Shape	Rectangular
Connector & Housing Type	Housing for Female Terminals
Connector System	Wire-to-Board, Wire-to-Device
Sealable	No
Hybrid Connector	No
Primary Locking Feature	Integrated in Housing

Configuration Features

Number of Positions	4
Number of Rows	1

Body Features

Cable Exit Angle	180°
Body Material	PA GF



Primary Product Color	Black
-----------------------	-------

Connector Code	A
----------------	---

Contact Features

Contact Size	.64mm
--------------	-------

Contact Type	Receptacle
--------------	------------

Mating Tab Width	1 mm[.039 in]
------------------	---------------

Mechanical Attachment

Mounting Feature	Without
------------------	---------

Terminal Position Assurance	Yes
-----------------------------	-----

Strain Relief	Without
---------------	---------

Mating Alignment Type	Keyed
-----------------------	-------

Mating Alignment	With
------------------	------

Connector Mounting Type	Cable Mount (Free-Hanging)
-------------------------	----------------------------

Housing Features

Centerline (Pitch)	2.54 mm[.1 in]
--------------------	----------------

Dimensions

Product Width	13.47 mm[.53 in]
---------------	------------------

Product Length	23.4 mm[.921 in]
----------------	------------------

Product Height	11.75 mm[.463 in]
----------------	-------------------

Usage Conditions

Operating Temperature (Max)	70 °C, 75 °C, 80 °C, 85 °C, 90 °C, 100 °C [158 °F][167 °F][176 °F][185 °F][194 °F][212 °F]
-----------------------------	---

Operating Temperature Range	-40 – 100 °C[-40 – 212 °F]
-----------------------------	----------------------------

Operation/Application

Circuit Application	Signal
---------------------	--------

Industry Standards

Agency/Standard	SAE/USCAR-2
-----------------	-------------

UL Flammability Rating	UL 94HB
------------------------	---------

Packaging Features

Packaging Quantity	900
--------------------	-----

Packaging Method	Box
------------------	-----



Other

Serviceable	Yes
Connector Position Assurance Capable	Yes

Product Compliance

[For compliance documentation, visit the product page on TE.com>](#)

EU RoHS Directive 2011/65/EU	Compliant
EU ELV Directive 2000/53/EC	Compliant
China RoHS 2 Directive MIIT Order No 32, 2016	No Restricted Materials Above Threshold
EU REACH Regulation (EC) No. 1907/2006	Current ECHA Candidate List: JUNE 2022 (224) Candidate List Declared Against: JAN 2022 (223) SVHC > Threshold: Not Yet Reviewed
Halogen Content	BFR/CFR/PVC Free, but Br/Cl >900 ppm in other sources.
Solder Process Capability	Not applicable for solder process capability

Product Compliance Disclaimer

This information is provided based on reasonable inquiry of our suppliers and represents our current actual knowledge based on the information they provided. This information is subject to change. The part numbers that TE has identified as EU RoHS compliant have a maximum concentration of 0.1% by weight in homogenous materials for lead, hexavalent chromium, mercury, PBB, PBDE, DBP, BBP, DEHP, DIBP, and 0.01% for cadmium, or qualify for an exemption to these limits as defined in the Annexes of Directive 2011/65/EU (RoHS2). Finished electrical and electronic equipment products will be CE marked as required by Directive 2011/65/EU. Components may not be CE marked. Additionally, the part numbers that TE has identified as EU ELV compliant have a maximum concentration of 0.1% by weight in homogenous materials for lead, hexavalent chromium, and mercury, and 0.01% for cadmium, or qualify for an exemption to these limits as defined in the Annexes of Directive 2000/53/EC (ELV). Regarding the REACH Regulation, the information TE provides on SVHC in articles for this part number is based on the latest European Chemicals Agency (ECHA) 'Guidance on requirements for substances in articles' posted at this URL: <https://echa.europa.eu/guidance-documents/guidance-on-reach>

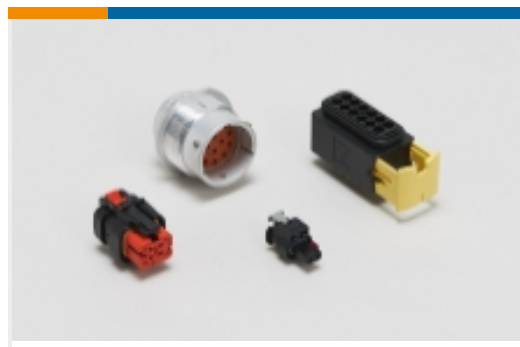
Compatible Parts



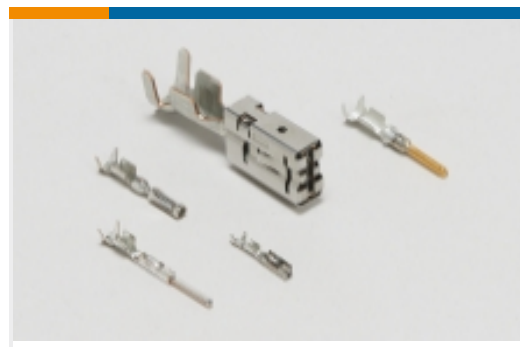
Also in the Series | [Get .64 Connector System](#)



Automotive Connector Caps & Covers (7)



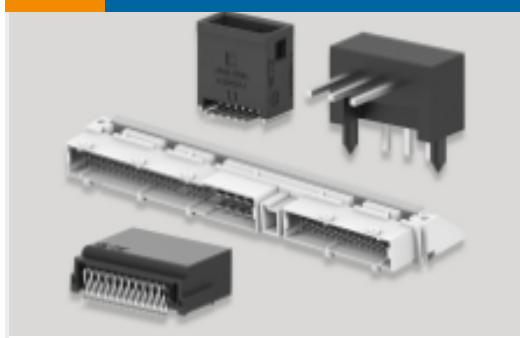
Automotive Housings(108)



Automotive Terminals(30)



Insertion & Extraction Tools(1)



PCB Headers & Receptacles(1)

Customers Also Bought



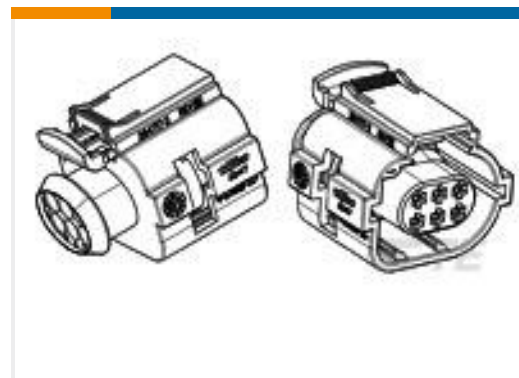
TE Part #2213678-5
Z35 MINI LED HOLDER 13.5*13.5MM
PANHEAD



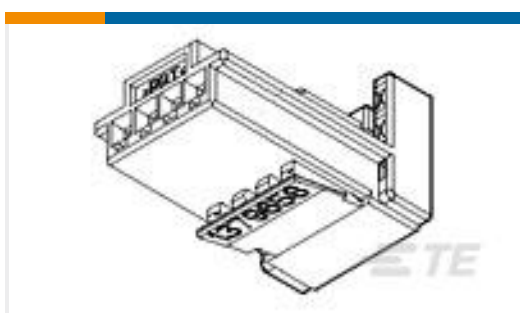
TE Part #3-641220-4
04P MTA156 CONN ASSY 24AWG LF



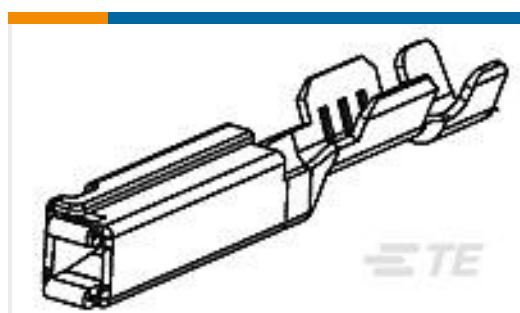
TE Part #1-1703498-2
2POS, MCON 1.2 LL TAB SEALED
COD A



TE Part #284716-3
6 POS REC. CONNECTOR FOR MTII
COD A



TE Part #1379658-1
4W RCPT HSG CODING 1 BLAC



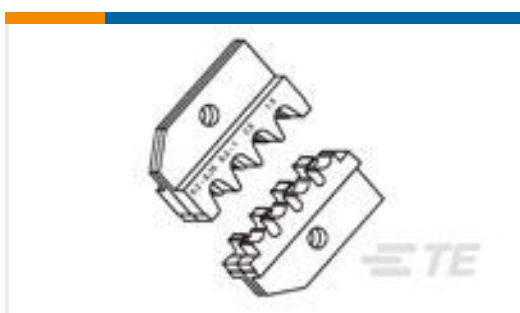
TE Part #1393364-1
V23540X7000Y10=GET-FEM TERM AU



TE Part #1759546-1
0.8mm Mini PCI-Express 9.9 Height



TE Part #184022-1
2 POS. PLUG ASSY, KEY M, BLACK



TE Part #4-1579001-6
ERGO DIE MCP 1,2 LL EDS



TE Part #5-2271140-2
M12 MALE PNL.A CODE.8P.PCB TYPE.
(AU)

Documents



Product Drawings

[1X4 Fem unsealed LP assy Key A w/CPA](#)

English

CAD Files

Customer View Model

[ENG_CVM_CVM_1456983-2_C.2d_dxf.zip](#)

English

3D PDF

3D

Customer View Model

[ENG_CVM_CVM_1456983-2_C.3d_igs.zip](#)

English

Customer View Model

[ENG_CVM_CVM_1456983-2_C.3d_stp.zip](#)

English

By downloading the CAD file I accept and agree to the [Terms and Conditions](#) of use.

Datasheets & Catalog Pages

[GET 0.64 Interconnection System](#)

English

Product Environmental Compliance

[MD_1456983-2_05182017731_dmtec](#)

English

[MD_1456983-2_05182017731_dmtec](#)

English