



Junior Power Timer

TE Internal #: 144479-1

TE Internal Description: CET 2 POS ASSY FOR JPT
TIMER, CONNECTOR HOUSING

[View on TE.com >](#)



All TIMER, CONNECTOR HOUSING (543)

Product Compliance

[For compliance documentation, visit the product page on TE.com>](#)

EU RoHS Directive 2011/65/EU	Compliant
EU ELV Directive 2000/53/EC	Compliant
China RoHS 2 Directive MIIT Order No 32, 2016	No Restricted Materials Above Threshold
EU REACH Regulation (EC) No. 1907/2006	Current ECHA Candidate List: JUNE 2022 (224) Candidate List Declared Against: JUL 2017 (174) SVHC > Threshold: Not Yet Reviewed
Halogen Content	Low Halogen - Br, Cl, F, I < 900 ppm per homogenous material. Also BFR/CFR/PVC Free
Solder Process Capability	Not reviewed for solder process capability

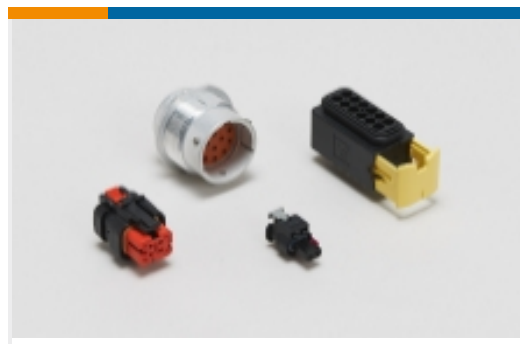
Product Compliance Disclaimer

This information is provided based on reasonable inquiry of our suppliers and represents our current actual knowledge based on the information they provided. This information is subject to change. The part numbers that TE has identified as EU RoHS compliant have a maximum concentration of 0.1% by weight in homogenous materials for lead, hexavalent chromium, mercury, PBB, PBDE, DBP, BBP, DEHP, DIBP, and 0.01% for cadmium, or qualify for an exemption to these limits as defined in the Annexes of Directive 2011/65/EU (RoHS2). Finished electrical and electronic equipment products will be CE marked as required by Directive 2011/65/EU. Components may not be CE marked. Additionally, the part numbers that TE has identified as EU ELV compliant have a maximum concentration of 0.1% by weight in homogenous materials for lead, hexavalent chromium, and mercury, and 0.01% for cadmium, or qualify for an exemption to these limits as defined in the Annexes of Directive 2000/53/EC (ELV). Regarding the REACH Regulation, the information TE provides on SVHC in articles for this part number is based on the latest European Chemicals Agency (ECHA) 'Guidance on requirements for substances in articles' posted at this URL: <https://echa.europa.eu/guidance-documents/guidance-on-reach>

Also in the Series | [Junior Power Timer](#)



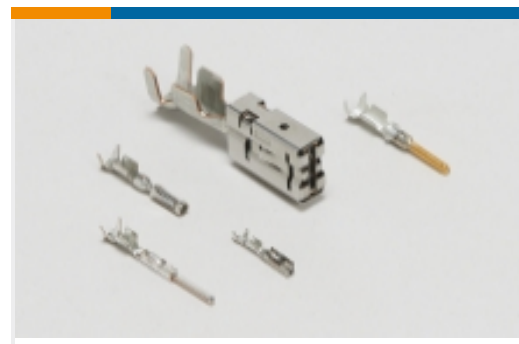
Automotive Connector Caps & Covers (5)



Automotive Housings(225)



Automotive Seals & Cavity Plugs(10)



Automotive Terminals(82)



Busbars & Terminals(1)



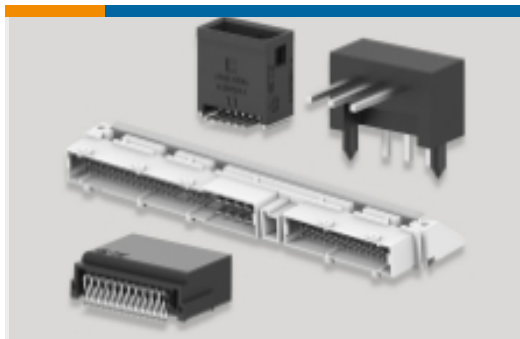
Insertion & Extraction Tools(9)



Module Components(8)



Other Automotive Connector Accessories(1)



PCB Headers & Receptacles(1)

Customers Also Bought



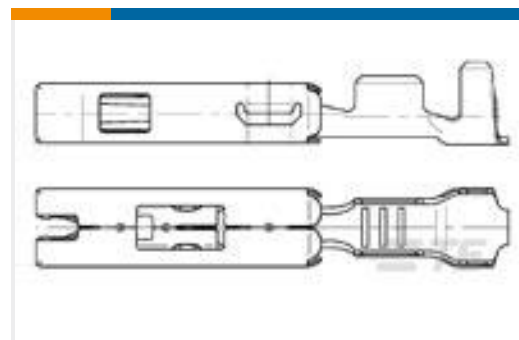
TE Part #HD36-24-9PN
DEUTSCH HD30 HOUSINGS



TE Part #DTMH04-4PA
REC, 4P, BLK, N, HI TEMP, A



TE Part #963040-1
2P JUN-TIMER GEH



TE Part #929027-1
1.5MM SFC



TE Part #AS007-35SA
RECEPT. 2 HOLE MNT. TYPE 0 AS
MICRO 7



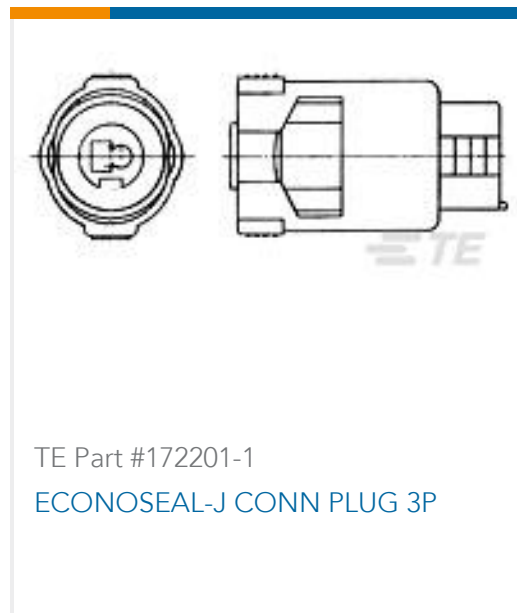
TE Part #YA5FD54-10-6PNC0120
RECP ASSY



TE Part #M3031-000005-2K5PG
PRESS XDCR M3031-000005-2K5PG



TE Part #M3431-000006-500PG
PRESS XDCR M3431-000006-500PG



Documents

Product Drawings

[CET 2 POS ASSY FOR JPT](#)

English

CAD Files

Customer View Model

[ENG_CVM_144479-1_D.3d_igs.zip](#)

English

Customer View Model

[ENG_CVM_144479-1_D.3d_stp.zip](#)

English

Customer View Model

[ENG_CVM_144479-1_D.2d_dxf.zip](#)

English

3D PDF

English

By downloading the CAD file I accept and agree to the [Terms and Conditions](#) of use.

Datasheets & Catalog Pages

[Timer Interconnection System](#)

English

Product Specifications

[ER**Connecteurs Etanches 2 A 7 Voies Pour Clips JPT](#)

English

[Product Specification](#)

English

Instruction Sheets

[Instruction Sheet \(non U.S.\)](#)

English