



Junior Power Timer, Standard Power Timer

TE Internal #: 1480838-1

Module Components, Relay Holder, Maxi Relay, 1 Relays (Minimum), Wire-to-Device, 5 Position, Secondary Locking, UL 94HB, 3G, Junior Power Timer

[View on TE.com >](#)

Connectors > Automotive Connectors > Power Distribution Boxes > Module Components



Component Type: **Relay Holder**
 Compatible With Relay Type: **Maxi Relay**
 Number of Relays (Minimum): **1**
 Connector System: **Wire-to-Device**
 Number of Positions: **5**

Features

Product Type Features

Component Type	Relay Holder
Compatible With Relay Type	Maxi Relay
Connector System	Wire-to-Device
Sealable	No
Primary Locking Feature	Locking Lance
Connector & Contact Terminates To	Wire & Cable

Configuration Features

Number of Relays (Minimum)	1
Number of Positions	5

Electrical Characteristics

Operating Voltage	12 V
Nominal Voltage Architecture	12 V

Body Features

Secondary Locking	Yes
-------------------	-----



Mechanical Attachment

Connector Mounting Type	Cable Mount (Free-Hanging)
-------------------------	----------------------------

Usage Conditions

Operating Temperature Range	-40 – 105 °C[-40 – 221 °F]
-----------------------------	----------------------------

Operation/Application

Vibration Class Level	3G
-----------------------	----

Industry Standards

UL Flammability Rating	UL 94HB
------------------------	---------

Other

Coupling With Other TE Modules	Yes
--------------------------------	-----

Product Compliance

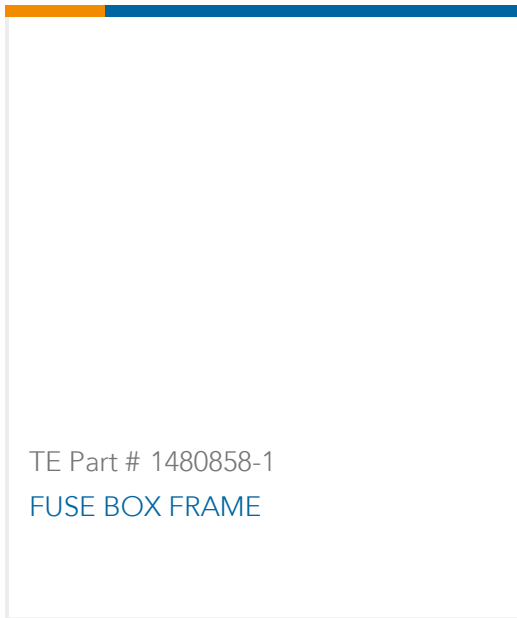
[For compliance documentation, visit the product page on TE.com>](#)

EU RoHS Directive 2011/65/EU	Compliant
EU ELV Directive 2000/53/EC	Compliant
China RoHS 2 Directive MIIT Order No 32, 2016	No Restricted Materials Above Threshold
EU REACH Regulation (EC) No. 1907/2006	Current ECHA Candidate List: JUNE 2022 (224) Candidate List Declared Against: JAN 2022 (223) SVHC > Threshold: Not Yet Reviewed
Halogen Content	Low Halogen - Br, Cl, F, I < 900 ppm per homogenous material. Also BFR/CFR/PVC Free
Solder Process Capability	Not applicable for solder process capability

Product Compliance Disclaimer

This information is provided based on reasonable inquiry of our suppliers and represents our current actual knowledge based on the information they provided. This information is subject to change. The part numbers that TE has identified as EU RoHS compliant have a maximum concentration of 0.1% by weight in homogenous materials for lead, hexavalent chromium, mercury, PBB, PBDE, DBP, BBP, DEHP, DIBP, and 0.01% for cadmium, or qualify for an exemption to these limits as defined in the Annexes of Directive 2011/65/EU (RoHS2). Finished electrical and electronic equipment products will be CE marked as required by Directive 2011/65/EU. Components may not be CE marked. Additionally, the part numbers that TE has identified as EU ELV compliant have a maximum concentration of 0.1% by weight in homogenous materials for lead, hexavalent chromium, and mercury, and 0.01% for cadmium, or qualify for an exemption to these limits as defined in the Annexes of Directive 2000/53/EC (ELV). Regarding the REACH Regulation, the information TE provides on SVHC in articles for this part number is based on the latest European Chemicals Agency (ECHA) 'Guidance on requirements for substances in articles' posted at this URL: <https://echa.europa.eu/guidance-documents/guidance-on-reach>

Compatible Parts



Also in the Series | Junior Power Timer



Automotive Connector Caps & Covers (5)



Automotive Housings(225)



Automotive Seals & Cavity Plugs(10)



Automotive Terminals(82)



Busbars & Terminals(1)



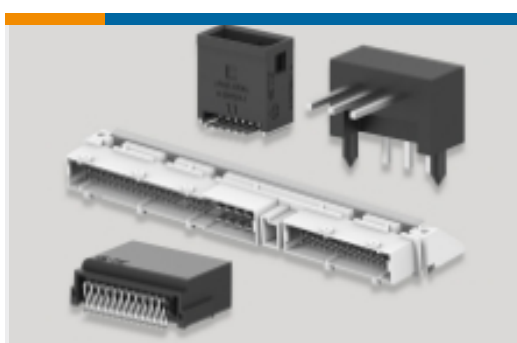
Insertion & Extraction Tools(9)



Module Components(8)



Other Automotive Connector Accessories(1)



PCB Headers & Receptacles(1)

Also in the Series | Standard Power Timer



Automotive Housings(31)



Automotive Terminals(54)



Busbars & Terminals(3)



Insertion & Extraction Tools(1)



Module Components(8)

Customers Also Bought



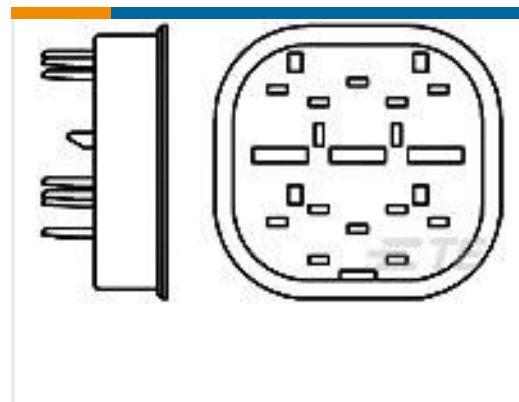
TE Part #444075-1
TIMER, CONNECTOR HOUSING



TE Part #927829-1
SPT REC 6.3 Contact SRC Sn



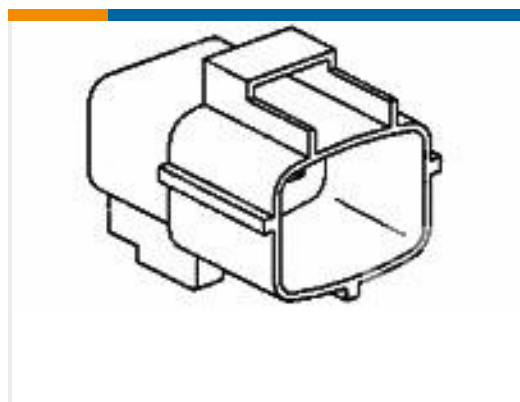
TE Part #881606-2
FF 375 RECEPTACLE 4.0-6.0 MM2 1.01 TPBR



TE Part #85222-1
E-J MK-II(+) 15P CAP DBL



TE Part #880688-2
FF 250 TERMINAL 0.5-1.0MM2 0.39 X13.2TPBR



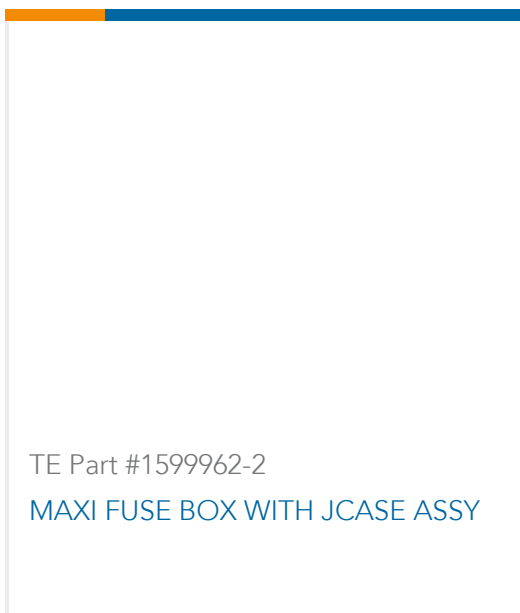
TE Part #368301-1
E-S MK-2(+) 15P CAP HSG BLACK



TE Part #1380085-1
HSG 1 WAY



TE Part #1599962-3
MAXI FUSE BOX WITH JCASE ASSY



TE Part #1599962-2
MAXI FUSE BOX WITH JCASE ASSY

Documents



Product Drawings

MAXI RELAY SUPORT

English

CAD Files

Customer View Model

[ENG_CVM_CVM_1480838-1_A.2d_dxf.zip](#)

English

3D PDF

3D

Customer View Model

[ENG_CVM_CVM_1480838-1_A.3d_igs.zip](#)

English

Customer View Model

[ENG_CVM_CVM_1480838-1_A.3d_stp.zip](#)

English

By downloading the CAD file I accept and agree to the [Terms and Conditions](#) of use.

Instruction Sheets

[Instruction Sheet \(non U.S.\)](#)

English