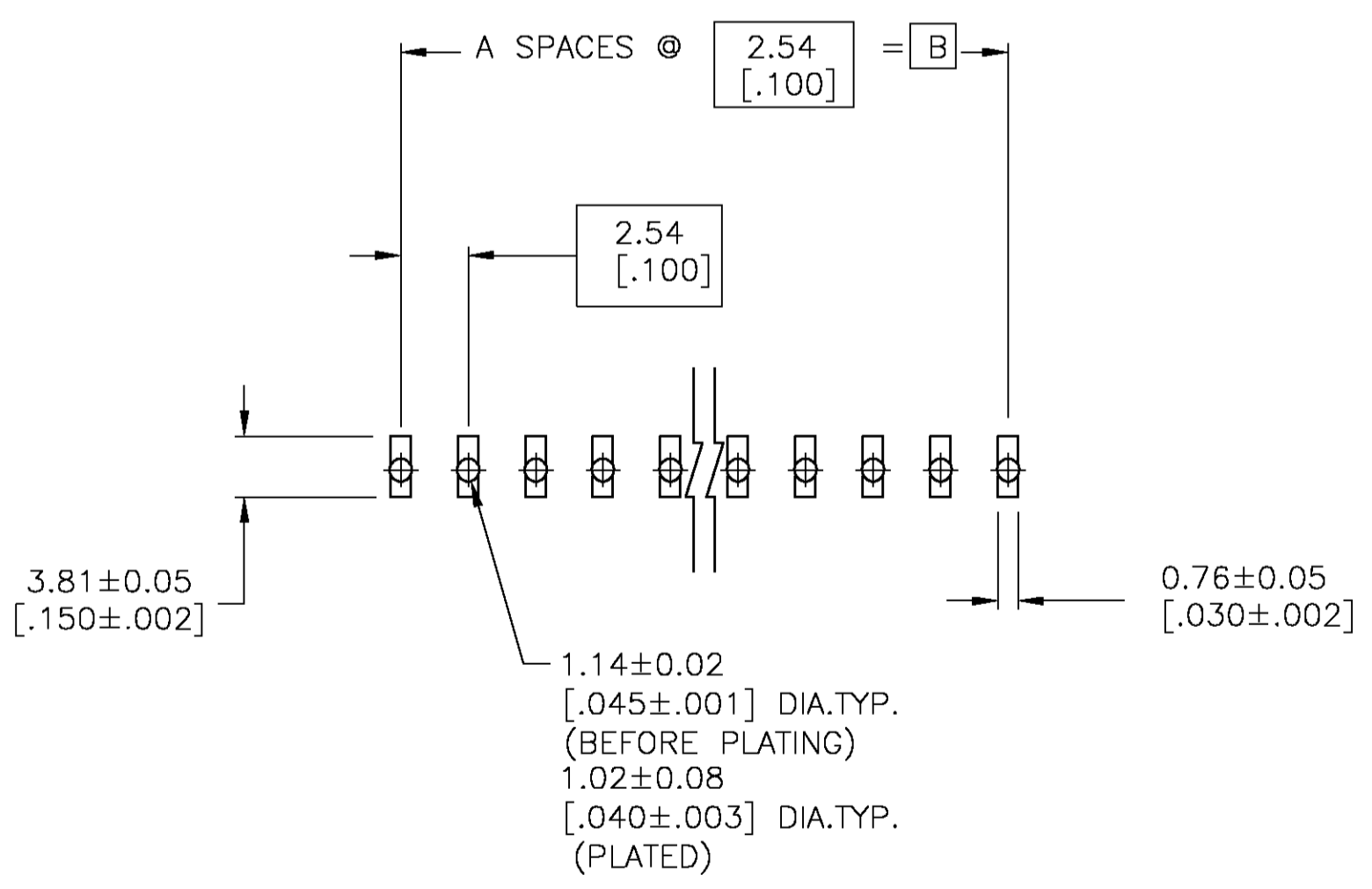
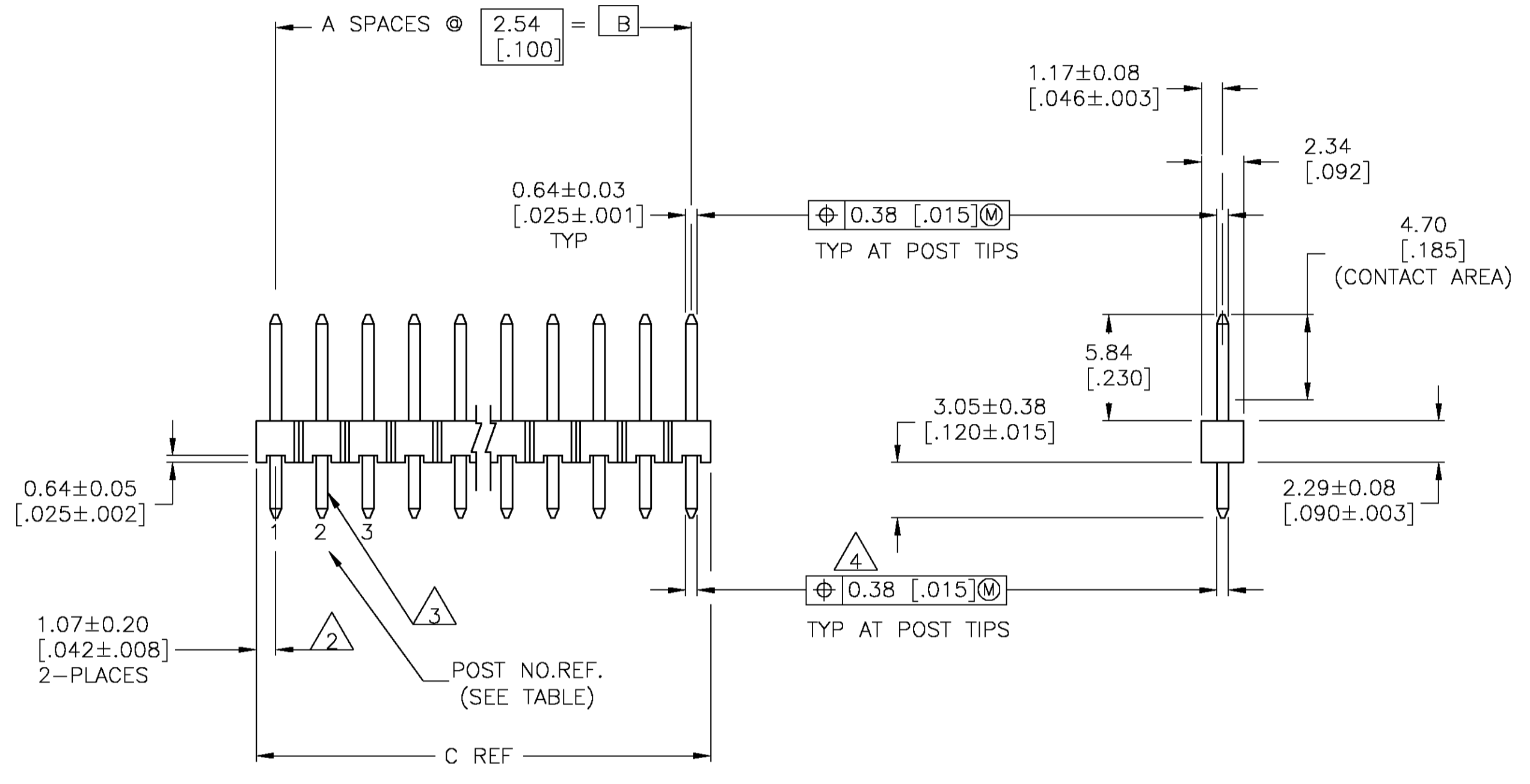


1. TRUE POSITION TOLERANCE OF THE POST TIPS APPLIES WHEN THE HEADERS ARE HELD FLAT AGAINST THE PRINTED CIRCUIT BOARD.
2. THE NOTED DIMENSIONS APPLY AT THE INTERSECTION OF THE POST AND THE HOUSING.
3. RETENTION FEATURES ON SOLDER TAILS, LOCATED AT MANUFACTURERS OPTION.
4. $\varnothing .020 \text{M}$ FOR KINKED TAILS
5. 0.000762 [.000030] GOLD IN CONTACT AREA, 0.00254-0.00504 [.000100-.000200] MATTE TIN-LEAD ON SOLDER TAIL, ALL OVER 0.00127 [.000050] NICKEL.
6. HOUSING: LCP, COLOR-BLACK.
POSTS: PHOSPHOR BRONZE
7. 0.000762 [.000030] GOLD IN CONTACT AREA, 0.00254-0.00504 [.000100-.000200] MATTE TIN ON SOLDER TAIL, ALL OVER 0.00127 [.000050] NICKEL.



RECOMMENDED PC BOARD MOUNTING DIMENSIONS FOR .063 [.160] THICK PC BOARD AND .012 [.305] STENCIL THICK.

7	101.19 [3.984]	99.06 [3.900]	39	40	9-146293-0
7	98.65 [3.884]	96.52 [3.800]	38	39	8-146293-9
7	96.11 [3.784]	93.98 [3.700]	37	38	8-146293-8
7	93.57 [3.684]	91.44 [3.600]	36	37	8-146293-7
7	91.03 [3.584]	88.90 [3.500]	35	36	8-146293-6
7	88.49 [3.484]	86.36 [3.400]	34	35	8-146293-5
7	85.95 [3.384]	83.82 [3.300]	33	34	8-146293-4
7	83.41 [3.284]	81.28 [3.200]	32	33	8-146293-3
7	80.87 [3.184]	78.74 [3.100]	31	32	8-146293-2
7	78.33 [3.084]	76.20 [3.000]	30	31	8-146293-1
7	75.79 [2.984]	73.66 [2.900]	29	30	8-146293-0
7	73.25 [2.884]	71.12 [2.800]	28	29	7-146293-9
7	70.71 [2.784]	68.58 [2.700]	27	28	7-146293-8
7	68.17 [2.684]	66.04 [2.600]	26	27	7-146293-7
7	65.63 [2.584]	63.5 [2.500]	25	26	7-146293-6
7	63.09 [2.484]	60.96 [2.400]	24	25	7-146293-5
7	60.55 [2.384]	58.42 [2.300]	23	24	7-146293-4
7	58.01 [2.284]	55.88 [2.200]	22	23	7-146293-3
7	55.47 [2.184]	53.34 [2.100]	21	22	7-146293-2
7	52.93 [2.084]	50.80 [2.000]	20	21	7-146293-1
7	50.39 [1.984]	48.26 [1.900]	19	20	7-146293-0
7	47.85 [1.884]	45.72 [1.800]	18	19	6-146293-9
7	45.31 [1.784]	43.18 [1.700]	17	18	6-146293-8
7	42.77 [1.684]	40.64 [1.600]	16	17	6-146293-7
7	40.23 [1.584]	38.10 [1.500]	15	16	6-146293-6
7	37.69 [1.484]	35.56 [1.400]	14	15	6-146293-5
7	35.15 [1.384]	33.02 [1.300]	13	14	6-146293-4
7	32.61 [1.284]	30.48 [1.200]	12	13	6-146293-3
7	30.07 [1.184]	27.94 [1.100]	11	12	6-146293-2
7	27.53 [1.084]	25.40 [1.000]	10	11	6-146293-1
7	24.99 [.984]	22.86 [.900]	9	10	6-146293-0
7	22.45 [.884]	20.32 [.800]	8	9	5-146293-9
7	19.91 [.784]	17.78 [.700]	7	8	5-146293-8
7	17.37 [.684]	15.24 [.600]	6	7	5-146293-7
7	14.83 [.584]	12.70 [.500]	5	6	5-146293-6
7	12.29 [.484]	10.16 [.400]	4	5	5-146293-5
7	9.75 [.384]	7.62 [.300]	3	4	5-146293-4
7	7.21 [.284]	5.08 [.200]	2	3	5-146293-3
PLATING	C	B	A	NO. OF POSITIONS	PART NUMBER

5	101.19 [3.984]	99.06 [3.900]	39	40	4-146293-0
5	98.65 [3.884]	96.52 [3.800]	38	39	3-146293-9
5	96.11 [3.784]	93.98 [3.700]	37	38	3-146293-8
5	93.57 [3.684]	91.44 [3.600]	36	37	3-146293-7
5	91.03 [3.584]	88.90 [3.500]	35	36	3-146293-6
5	88.49 [3.484]	86.36 [3.400]	34	35	3-146293-5
5	85.95 [3.384]	83.82 [3.300]	33	34	3-146293-4
5	83.41 [3.284]	81.28 [3.200]	32	33	3-146293-3
5	80.87 [3.184]	78.74 [3.100]	31	32	3-146293-2
5	78.33 [3.084]	76.20 [3.000]	30	31	3-146293-1
5	75.79 [2.984]	73.66 [2.900]	29	30	3-146293-0
5	73.25 [2.884]	71.12 [2.800]	28	29	2-146293-9
5	70.71 [2.784]	68.58 [2.700]	27	28	2-146293-8
5	68.17 [2.684]	66.04 [2.600]	26	27	2-146293-7
5	65.63 [2.584]	63.5 [2.500]	25	26	2-146293-6
5	63.09 [2.484]	60.96 [2.400]	24	25	2-146293-5
5	60.55 [2.384]	58.42 [2.300]	23	24	2-146293-4
5	58.01 [2.284]	55.88 [2.200]	22	23	2-146293-3
5	55.47 [2.184]	53.34 [2.100]	21	22	2-146293-2
5	52.93 [2.084]	50.80 [2.000]	20	21	2-146293-1
5	50.39 [1.984]	48.26 [1.900]	19	20	2-146293-0
5	47.85 [1.884]	45.72 [1.800]	18	19	1-146293-9
5	45.31 [1.784]	43.18 [1.700]	17	18	1-146293-8
5	42.77 [1.684]	40.64 [1.600]	16	17	1-146293-7
5	40.23 [1.584]	38.10 [1.500]	15	16	1-146293-6
5	37.69 [1.484]	35.56 [1.400]	14	15	1-146293-5
5	35.15 [1.384]	33.02 [1.300]	13	14	1-146293-4
5	32.61 [1.284]	30.48 [1.200]	12	13	1-146293-3
5	30.07 [1.184]	27.94 [1.100]	11	12	1-146293-2
5	27.53 [1.084]	25.40 [1.000]	10	11	1-146293-1
5	24.99 [.984]	22.86 [.900]	9	10	1-146293-0
5	22.45 [.884]	20.32 [.800]	8	9	146293-9
5	19.91 [.784]	17.78 [.700]	7	8	146293-8
5	17.37 [.684]	15.24 [.600]	6	7	146293-7
5	14.83 [.584]	12.70 [.500]	5	6	146293-6
5	12.29 [.484]	10.16 [.400]	4	5	146293-5
5	9.75 [.384]	7.62 [.300]	3	4	146293-4
5	7.21 [.284]	5.08 [.200]	2	3	146293-3
PLATING	C	B	A	NO. OF POSITIONS	PART NUMBER

SUPERSEDED BY 146269-1
OBSOLETE

THIS DRAWING IS A CONTROLLED DOCUMENT. DWN T. HOFFMAN 6/12/95
 GSK G. DUBNICZKI 1/2/96 Tyco Electronics Corporation
 APD G. DUBNICZKI 1/2/96 Harrisburg, Pa 17105-3608
 DIMENSIONS: mm [INCHES] TOLERANCES UNLESS OTHERWISE SPECIFIED:
 0 PLC ± -
 1 PLC ± -
 2 PLC ± -
 3 PLC ± -
 4 PLC ± -
 ANGLES ± -
 MATERIAL SEE TABLE FINISH
 DIMENSIONS: mm [INCHES] TOLERANCES UNLESS OTHERWISE SPECIFIED:
 0 PLC ± -
 1 PLC ± -
 2 PLC ± -
 3 PLC ± -
 4 PLC ± -
 ANGLES ± -
 MATERIAL SEE TABLE FINISH
 NAME HEADER ASSEMBLY, MOD II, BREAKAWAY, SINGLE ROW, HIGH TEMPERATURE, VERTICAL WITH RETENTION FEATURE, W/.025 SQ. POSTS, .100 C/L
 APPLICATION SPEC
 SIZE CAGE CODE DRAWING NO RESTRICTED TO
 A1 00779 C=146293
 CUSTOMER DRAWING SCALE 4:1 SHEET 1 OF 1 REV H