



TE Internal #: 1470106-1

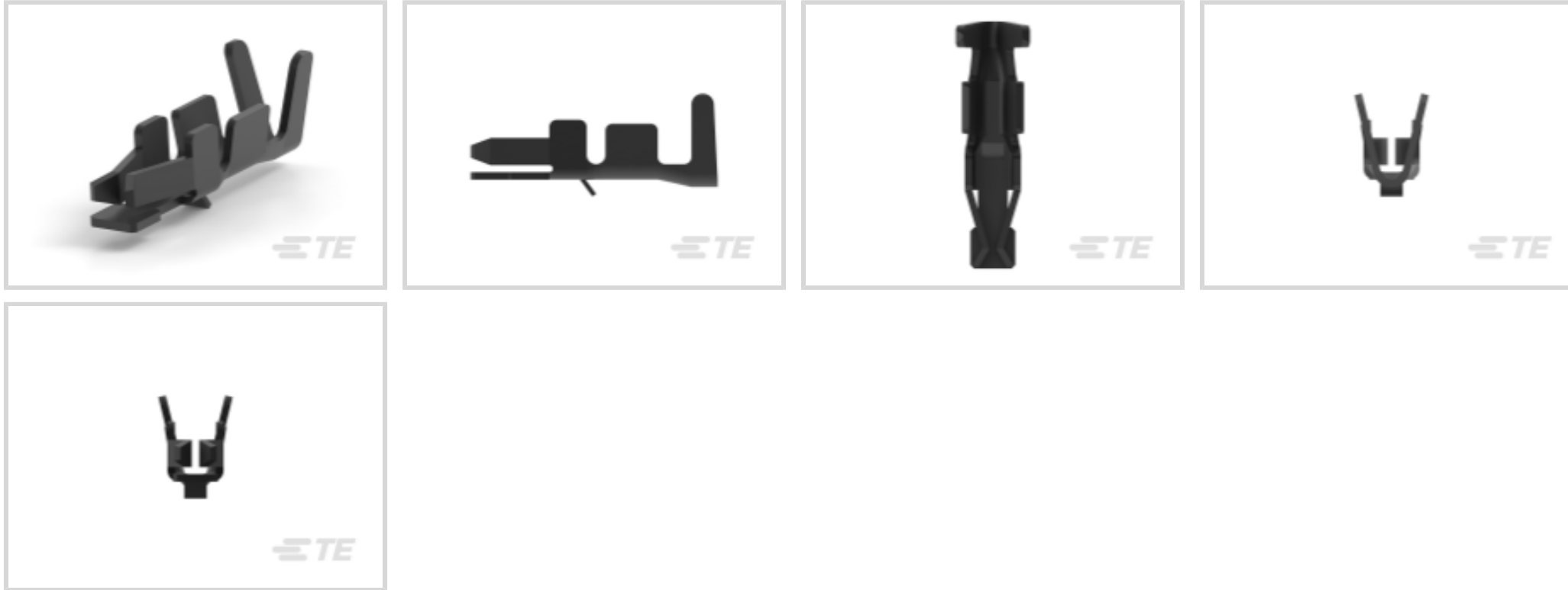
Connector Contact, Socket, Wire-to-Board, .079 in [2 mm]

Centerline, 28 – 22 AWG Wire Size, .079 – .38 mm² Wire Size, Tin,

Reel, Wire & Cable, 3 A

[View on TE.com >](#)

Connectors > PCB Connectors > Wire-to-Board Connectors > Wire-to-Board Connector Contacts



Contact Type: **Socket**

Connector System: **Wire-to-Board**

Centerline (Pitch): **2 mm [.079 in]**

Wire Size: **.079 – .38 mm²**

Features

Product Type Features

Connector System	Wire-to-Board
Sealable	No
Connector & Contact Terminates To	Wire & Cable

Configuration Features

Compatible With Wire & Cable Type	Discrete Wire
-----------------------------------	---------------

Electrical Characteristics

Operating Voltage	100 VDC
-------------------	---------

Contact Features

Mating Square Post Dimension	.5 mm [.019 in]
Contact Base Material	Phosphor Bronze
Contact Type	Socket
Contact Mating Area Plating Material	Tin
Contact Current Rating (Max)	3 A

Termination Features

Termination Method to Wire & Cable	Crimp
------------------------------------	-------



Mechanical Attachment

Connector Mounting Type	Cable Mount (Free-Hanging)
-------------------------	----------------------------

Housing Features

Centerline (Pitch)	2 mm [.079 in]
--------------------	----------------

Dimensions

Wire Size	.079 – .38 mm ²
-----------	----------------------------

Usage Conditions

Operating Temperature Range	-25 – 105 °C [-13 – 221 °F]
-----------------------------	-----------------------------

Operation/Application

Circuit Application	Signal
---------------------	--------

Packaging Features

Packaging Quantity	10000
--------------------	-------

Packaging Method	Reel
------------------	------

Other

Comment	114-57013
---------	-----------

Product Compliance

[For compliance documentation, visit the product page on TE.com>](#)

EU RoHS Directive 2011/65/EU	Compliant
------------------------------	-----------

EU ELV Directive 2000/53/EC	Compliant
-----------------------------	-----------

China RoHS 2 Directive MIIT Order No 32, 2016	No Restricted Materials Above Threshold
---	---

EU REACH Regulation (EC) No. 1907/2006	Current ECHA Candidate List: JUNE 2022 (224) Candidate List Declared Against: JAN 2022 (223) SVHC > Threshold: Not Yet Reviewed
--	--

Halogen Content	Low Halogen - Br, Cl, F, I < 900 ppm per homogenous material. Also BFR/CFR/PVC Free
-----------------	---

Solder Process Capability	Not lead free process capable
---------------------------	-------------------------------

Product Compliance Disclaimer

This information is provided based on reasonable inquiry of our suppliers and represents our current actual knowledge based on the information they provided. This information is subject to change. The part numbers that TE has identified as EU RoHS compliant have a maximum concentration of 0.1% by weight in homogenous materials for lead, hexavalent

chromium, mercury, PBB, PBDE, DBP, BBP, DEHP, DIBP, and 0.01% for cadmium, or qualify for an exemption to these limits as defined in the Annexes of Directive 2011/65/EU (RoHS2). Finished electrical and electronic equipment products will be CE marked as required by Directive 2011/65/EU. Components may not be CE marked. Additionally, the part numbers that TE has identified as EU ELV compliant have a maximum concentration of 0.1% by weight in homogenous materials for lead, hexavalent chromium, and mercury, and 0.01% for cadmium, or qualify for an exemption to these limits as defined in the Annexes of Directive 2000/53/EC (ELV). Regarding the REACH Regulation, the information TE provides on SVHC in articles for this part number is based on the latest European Chemicals Agency (ECHA) 'Guidance on requirements for substances in articles' posted at this URL: <https://echa.europa.eu/guidance-documents/guidance-on-reach>

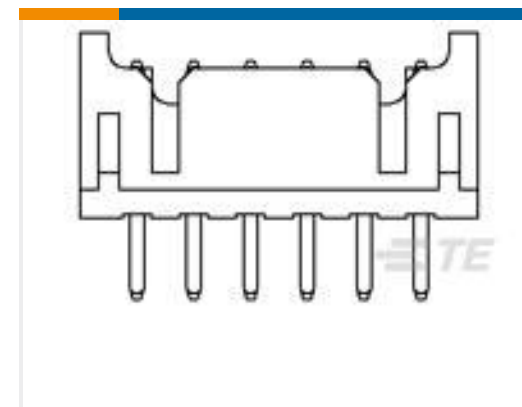
Compatible Parts



TE Part # CAT-H857-H34220
AMP HPI 2.0MM HEADERS



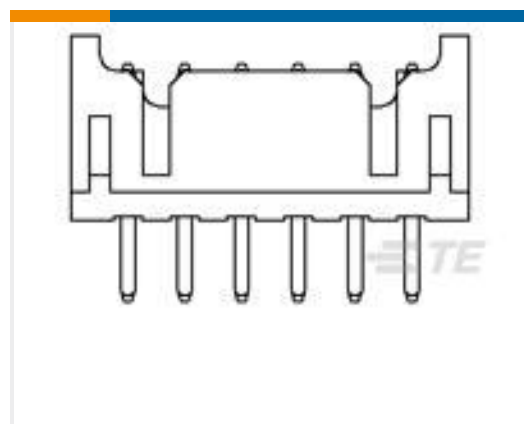
TE Part # CAT-H857-H817220
AMP HPI 2.0MM RECEPTACLE HOUSINGS



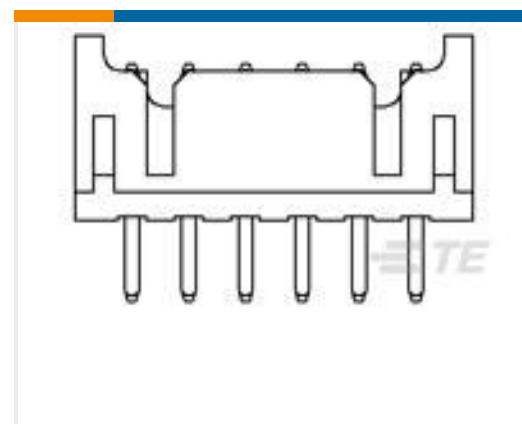
TE Part # 2-1470109-6
2.0mm Pitch Header, Dip 26p



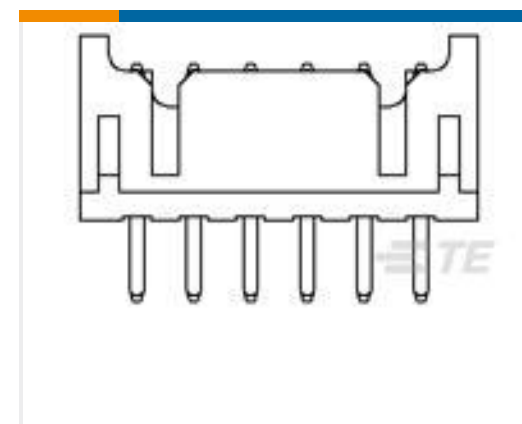
TE Part # 2305570-1
TERMINAL CUTTER, SIDE FEED



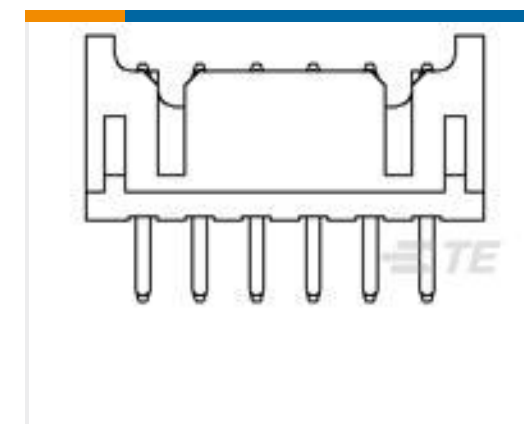
TE Part # 1-1470109-0
2.0mm Pitch Header, Dip 10p



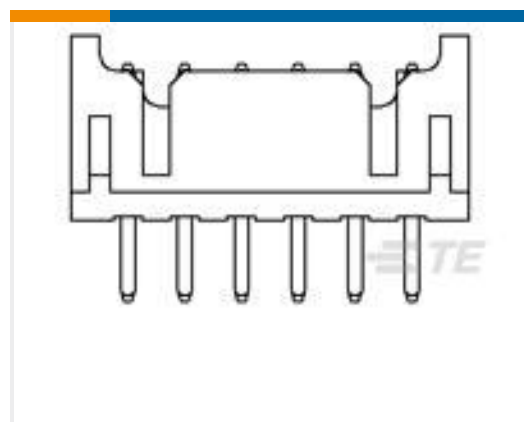
TE Part # 1-1470109-2
2.0mm Pitch Header, Dip 12p



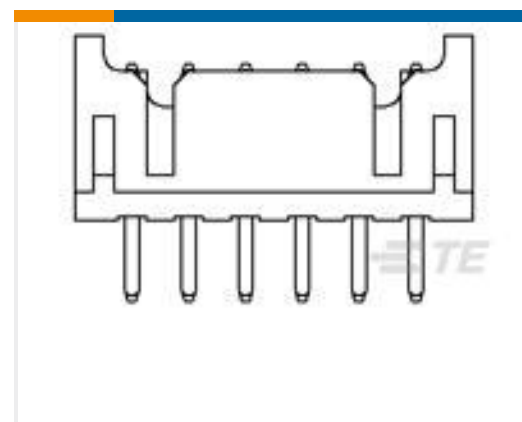
TE Part # 1-1470109-4
2.0mm Pitch Header, Dip 14p



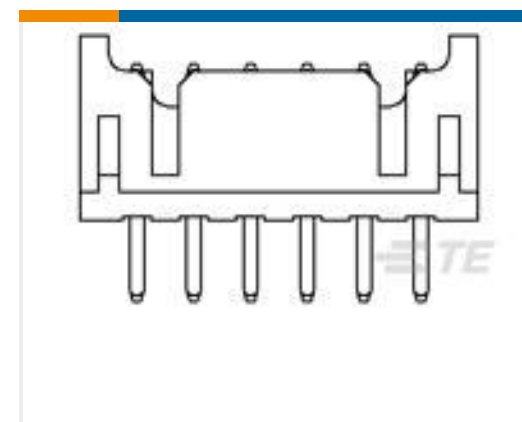
TE Part # 1-1470109-6
2.0mm Pitch Header, Dip 16p



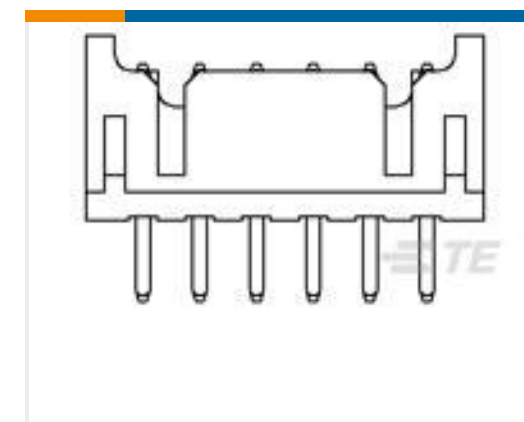
TE Part # 1470109-8
2.0mm Pitch Header, Dip 8p



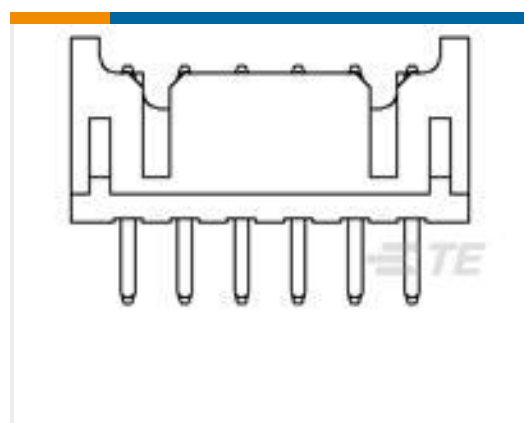
TE Part # 2-1470109-2
2.0mm Pitch Header, Dip 22p



TE Part # 1470109-6
2.0mm Pitch Header, Dip 6p



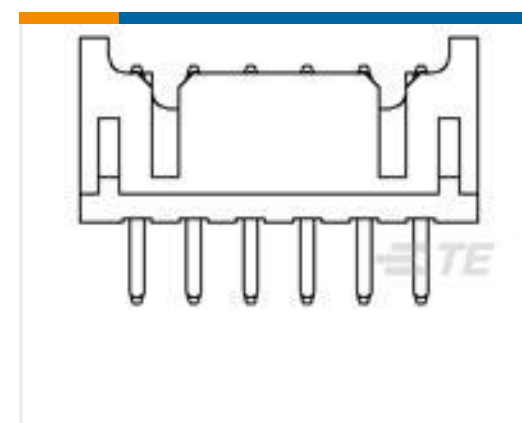
TE Part # 3-1470109-0
2.0mm Pitch Header, Dip 30p



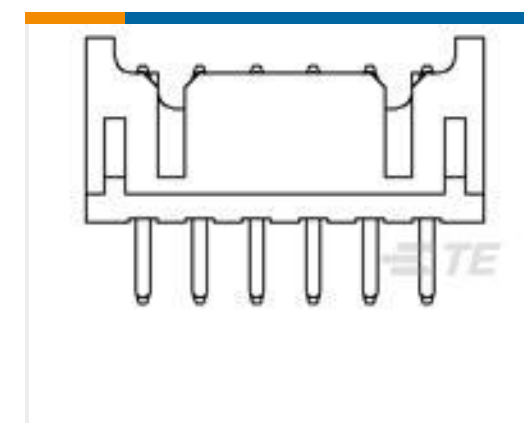
TE Part # 2-1470109-4
2.0mm Pitch Header, Dip 24p



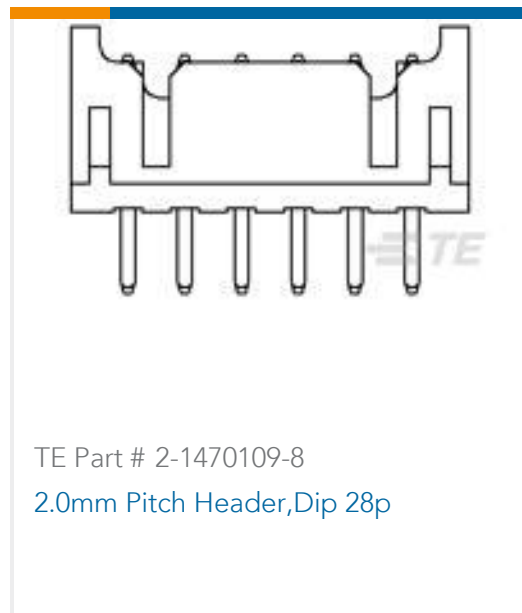
TE Part # 2266216-1
OCEAN_2.0_Applicator-S-051F065F



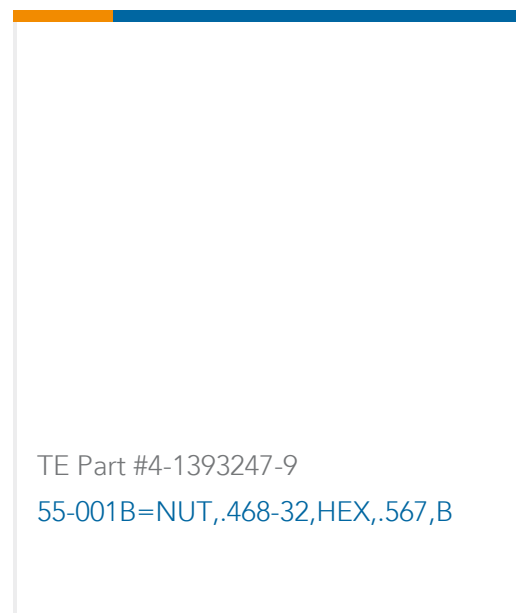
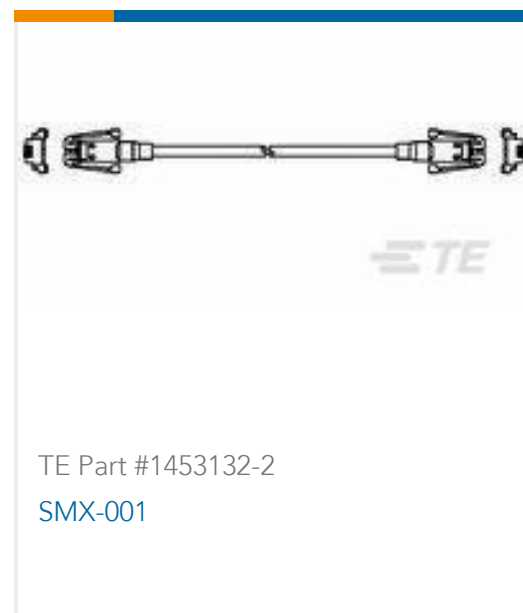
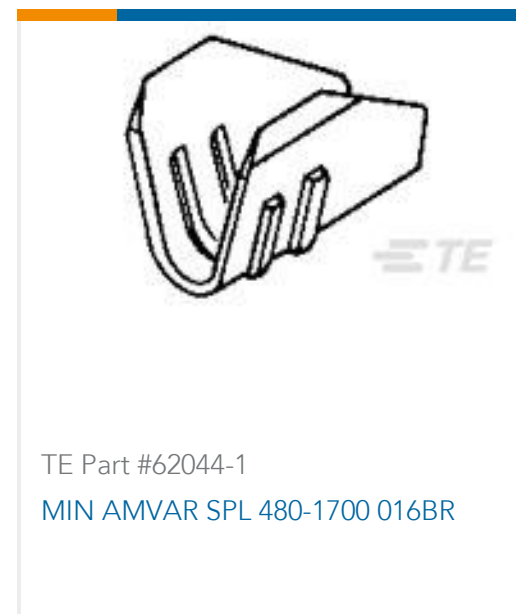
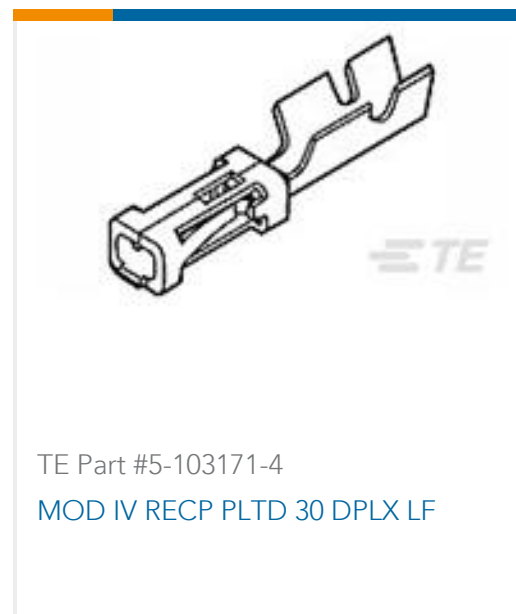
TE Part # 1-1470109-8
2.0mm Pitch Header, Dip 18p



TE Part # 2-1470109-0
2.0mm Pitch Header, Dip 20p



Customers Also Bought



Documents

Product Drawings

2.0mm Pitch Crimp Contact

English

CAD Files

3D PDF

3D

Customer View Model

[ENG_CVM_CVM_1470106-1_B.2d_dxf.zip](#)

English

Customer View Model

[ENG_CVM_CVM_1470106-1_B.3d_igs.zip](#)

English

Customer View Model

[ENG_CVM_CVM_1470106-1_B.3d_stp.zip](#)

English

By downloading the CAD file I accept and agree to the [Terms and Conditions](#) of use.



Datasheets & Catalog Pages

[HPI Connectors QRG](#)

English

Product Specifications

[AMP 2.0mm PITCH EMIX Economic Metric Interconnect Series, Wire-To-Board System.](#)

English

[Application Specification](#)

English

Product Environmental Compliance

[MD_1470106-1_07212017520_dmtec](#)

English

[MD_1470106-1_07212017520_dmtec](#)

English

[TE Material Declaration](#)

English