

1438153-5 ✓ ACTIVE

Get .64 Connector System

TE Internal #: 1438153-5

Housing for Female Terminals, Wire-to-Board / Wire-to-Wire / Wire-to-Device, 6 Position, .1 in [2.54 mm] Centerline, Get .64 Connector System

[View on TE.com >](#)



Connectors > Automotive Connectors > Connector Housings > GET .64 CONNECTOR SYSTEM, CONNECTOR HSG



Connector & Housing Type: **Housing for Female Terminals**

Mating Tab Width: **.64 mm [.025 in]**

Connector System: **Wire-to-Board, Wire-to-Device, Wire-to-Wire**

Number of Positions: **6**

Centerline (Pitch): **2.54 mm [.1 in]**

[All GET .64 CONNECTOR SYSTEM, CONNECTOR HSG \(106\)](#)

Features

Product Type Features

Connector & Housing Shape	Rectangular
Connector & Housing Type	Housing for Female Terminals
Connector System	Wire-to-Board, Wire-to-Device, Wire-to-Wire
Sealable	Yes
Hybrid Connector	No
Primary Locking Feature	Integrated in Housing

Configuration Features

Blank Cavity Position	1, 6
Number of Positions	6
Number of Rows	1

Body Features

Cable Exit Angle	180°
Body Material	PA GF
Primary Product Color	Black
Connector Code	B

Contact Features



Contact Size	.64mm
Contact Type	Receptacle
Mating Tab Width	.64 mm[.025 in]

Mechanical Attachment

Mounting Feature	Without
Terminal Position Assurance	Yes
Strain Relief	Without
Mating Alignment Type	Keyed
Mating Alignment	With
Connector Mounting Type	Cable Mount (Free-Hanging)

Housing Features

Centerline (Pitch)	2.54 mm[.1 in]
--------------------	----------------

Dimensions

Product Width	24.5 mm[.965 in]
Product Length	31.4 mm[1.236 in]
Product Height	19.6 mm[.772 in]
Row-to-Row Spacing	5.15 mm, 6.85 mm[.203 in][.27 in]

Usage Conditions

Operating Temperature (Max)	70 °C, 75 °C, 80 °C, 85 °C, 90 °C, 100 °C, 105 °C, 110 °C, 120 °C, 125 °C[158 °F][167 °F][176 °F][185 °F][194 °F][212 °F][221 °F][230 °F][248 °F][257 °F]
Operating Temperature Range	-40 – 125 °C[-40 – 257 °F]

Operation/Application

Circuit Application	Signal
---------------------	--------

Industry Standards

Degree of Protection	IP67
----------------------	------

Packaging Features

Packaging Quantity	600
Packaging Method	Package

Other

Serviceable	Yes
Connector Position Assurance Capable	Yes

Product Compliance

For compliance documentation, visit the product page on [TE.com](#)>

EU RoHS Directive 2011/65/EU	Compliant
EU ELV Directive 2000/53/EC	Compliant
China RoHS 2 Directive MIIT Order No 32, 2016	No Restricted Materials Above Threshold
EU REACH Regulation (EC) No. 1907/2006	Current ECHA Candidate List: JUNE 2022 (224) Candidate List Declared Against: JAN 2022 (223) SVHC > Threshold: Not Yet Reviewed
Halogen Content	Low Halogen - Br, Cl, F, I < 900 ppm per homogenous material. Also BFR/CFR/PVC Free
Solder Process Capability	Not applicable for solder process capability

Product Compliance Disclaimer

This information is provided based on reasonable inquiry of our suppliers and represents our current actual knowledge based on the information they provided. This information is subject to change. The part numbers that TE has identified as EU RoHS compliant have a maximum concentration of 0.1% by weight in homogenous materials for lead, hexavalent chromium, mercury, PBB, PBDE, DBP, BBP, DEHP, DIBP, and 0.01% for cadmium, or qualify for an exemption to these limits as defined in the Annexes of Directive 2011/65/EU (RoHS2). Finished electrical and electronic equipment products will be CE marked as required by Directive 2011/65/EU. Components may not be CE marked. Additionally, the part numbers that TE has identified as EU ELV compliant have a maximum concentration of 0.1% by weight in homogenous materials for lead, hexavalent chromium, and mercury, and 0.01% for cadmium, or qualify for an exemption to these limits as defined in the Annexes of Directive 2000/53/EC (ELV). Regarding the REACH Regulation, the information TE provides on SVHC in articles for this part number is based on the latest European Chemicals Agency (ECHA) 'Guidance on requirements for substances in articles' posted at this URL: <https://echa.europa.eu/guidance-documents/guidance-on-reach>

Compatible Parts



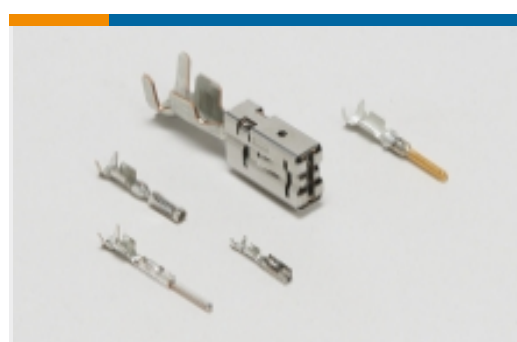
Also in the Series | [Get .64 Connector System](#)



Automotive Connector Caps & Covers (7)



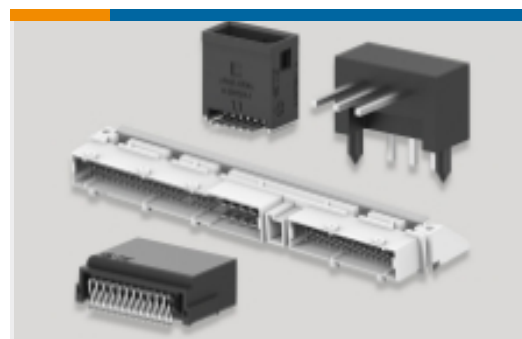
Automotive Housings(108)



Automotive Terminals(30)

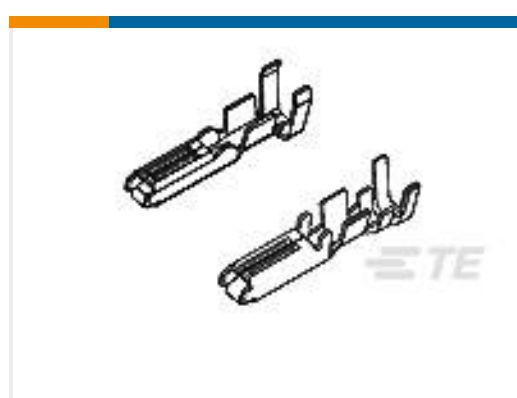
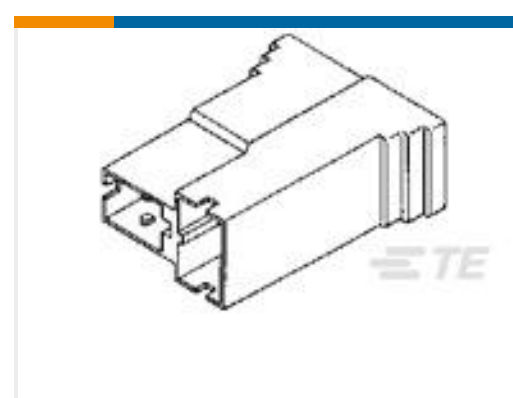


Insertion & Extraction Tools(1)



PCB Headers & Receptacles(1)

Customers Also Bought

TE Part #3-1355136-3
MQS, CONNECTOR HOUSINGTE Part #776532-1
AMPSEAL 16 HOUSINGSTE Part #284087-1
.070 NEW GEN RCPT CONT 0.30 TTE Part #171810-2
POSITIVE LOCK HOUSING
RECEPTACLETE Part #2035360-1
1X4 GENERATION Y ASSY KEY ATE Part #2-2236706-1
2-POS. SEALED 2.8MM USCAR
CLEAN BODY FORTE Part #9-2208798-5
6POS,0.64 GENER. Y,REC HSG,ASSYTE Part #345258-1
ANTI-BACKOUT 4WAY REC
HSGECONO

Documents

Product Drawings

[1X6 SEALED MARKET KEY B](#)

English

CAD Files

[Customer View Model](#)

[ENG_CVM_CVM_1438153-5_H.2d_dxf.zip](#)

English

[3D PDF](#)



3D

Customer View Model

[ENG_CVM_CVM_1438153-5_H.3d_igs.zip](#)

English

Customer View Model

[ENG_CVM_CVM_1438153-5_H.3d_stp.zip](#)

English

By downloading the CAD file I accept and agree to the [Terms and Conditions](#) of use.

Datasheets & Catalog Pages

[GET 0.64 Interconnection System](#)

English

Product Specifications

[Application Specification](#)

English

Product Environmental Compliance

[Product Compliance](#)

English

[Product Compliance](#)

English