



### Product Compliance

[For compliance documentation, visit the product page on TE.com>](#)

EU RoHS Directive 2011/65/EU	Compliant
EU ELV Directive 2000/53/EC	Compliant
China RoHS 2 Directive MIIT Order No 32, 2016	No Restricted Materials Above Threshold
EU REACH Regulation (EC) No. 1907/2006	Current ECHA Candidate List: JUNE 2022 (224) Candidate List Declared Against: JAN 2022 (223) SVHC > Threshold: Not Yet Reviewed
Halogen Content	Low Halogen - Br, Cl, F, I < 900 ppm per homogenous material. Also BFR/CFR/PVC Free
Solder Process Capability	Not applicable for solder process capability

#### Product Compliance Disclaimer

This information is provided based on reasonable inquiry of our suppliers and represents our current actual knowledge based on the information they provided. This information is subject to change. The part numbers that TE has identified as EU RoHS compliant have a maximum concentration of 0.1% by weight in homogenous materials for lead, hexavalent chromium, mercury, PBB, PBDE, DBP, BBP, DEHP, DIBP, and 0.01% for cadmium, or qualify for an exemption to these limits as defined in the Annexes of Directive 2011/65/EU (RoHS2). Finished electrical and electronic equipment products will be CE marked as required by Directive 2011/65/EU. Components may not be CE marked. Additionally, the part numbers that TE has identified as EU ELV compliant have a maximum concentration of 0.1% by weight in homogenous materials for lead, hexavalent chromium, and mercury, and 0.01% for cadmium, or qualify for an exemption to these limits as defined in the Annexes of Directive 2000/53/EC (ELV). Regarding the REACH Regulation, the information TE provides on SVHC in articles for this part number is based on the latest European Chemicals Agency (ECHA) 'Guidance on requirements for substances in articles' posted at this URL: <https://echa.europa.eu/guidance-documents/guidance-on-reach>

### Compatible Parts



TE Part # 142680-1  
PL MK III 2 POS HOUSING BROEN  
RAL 8016



TE Part # 142680-4  
PL MK III 2 POS HOUSING YELLOW  
RAL 1016



TE Part # 142681-1  
PL MK III 3 POS HOUSING BROEN



TE Part # 142681-4  
PL MK III 3 POS HOUSING YELLOW



TE Part # 2-2150376-2  
OCEAN-2.0-APPLICATOR-E-  
090F118FA



TE Part # 2150376-2  
OCEAN-2.0-APPLICATOR-E-  
090F118FA

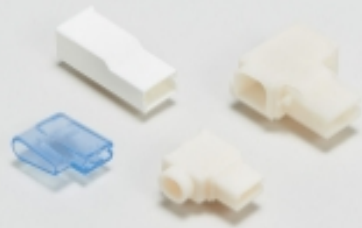


TE Part # 7-2150376-2  
OCEAN-2.0-APPLICATOR-E-  
090F118FA




TE Part # 7-2150376-7  
OCEAN\_2.0\_SPARE\_PART\_KIT-  
090F118F

Also in the Series | Positive Lock 197



Crimp Terminal Housings(6)

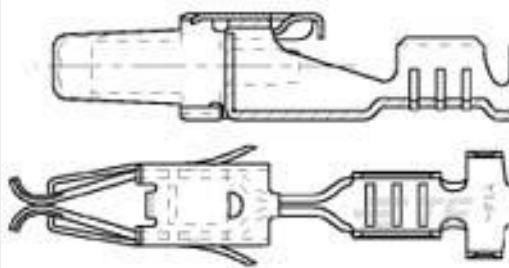


Quick Disconnects(5)

Customers Also Bought



TE Part #282762-1  
JPT SPLASH-PROOF FEM.CONN2  
POS



TE Part #144431-1  
JPT F REC 2.8 Contact SRC Sn



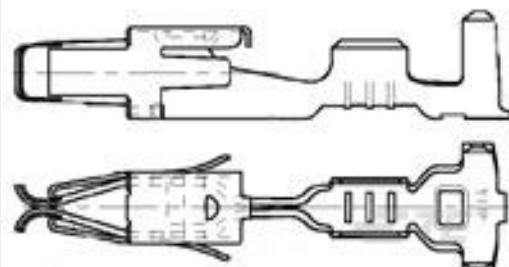
TE Part #4-953893-1  
8POS MIXED MQS REC




TE Part #953043-1  
PL LOCKING LEVER 3P HOUSING PA6.  
6 NOIR



TE Part #1801614-4  
4 MINIFUSES CLIPSHUNT (4-6)



TE Part #185026-1  
JPT F REC 2.8 Contact SWS Sn



TE Part #1379326-1  
COVER FOR 52W HYB CONNECT



TE Part #1801617-1  
FUSES AND RELAYS HOLDER 6  
MINIFUSES



TE Part #9097616015  
LSTT-4.8-0-50MM



TE Part #F44439-000  
BL-LSTT-6.4-0-30MM

## Documents

### Product Drawings

[PL 5MM 0.35 DEG TO 1 DEG POST-TPBR](#)

French

### CAD Files

[3D PDF](#)

3D

Customer View Model

[ENG\\_CVM\\_CVM\\_141991-2\\_T\\_c-141991-2-t.2d\\_dxf.zip](#)

English

Customer View Model

[ENG\\_CVM\\_CVM\\_141991-2\\_T\\_c-141991-2-t.3d\\_igs.zip](#)

English

Customer View Model

[ENG\\_CVM\\_CVM\\_141991-2\\_T\\_c-141991-2-t.3d\\_stp.zip](#)

English

By downloading the CAD file I accept and agree to the [Terms and Conditions](#) of use.

### Product Specifications

[Application Specification](#)

French