

PLEASE CHECK WWW.MOLEX.COM FOR LATEST PART INFORMATION

Part Number: [0015040219](#)
Status: **Active**
Overview: KK® Interconnect System - Molex
Description: 3.96mm Pitch KK Polarizing Key without Boss

Documents:

3D Model	3D Model (PDF)
Drawing (PDF)	RoHS Certificate of Compliance (PDF)

General

Product Family	Accessories
Series	2560
Component Type	Polarizing Key
Overview	<u>KK® Interconnect System - Molex</u>
Product Name	KK 396
UPC	800753605404

Physical

Circuits (Loaded)	1
Circuits (maximum)	1
Color - Resin	Natural
Lock to Mating Part	No
Material - Resin	Nylon
Net Weight	0.037/g
Packaging Type	Bag

Solder Process Data

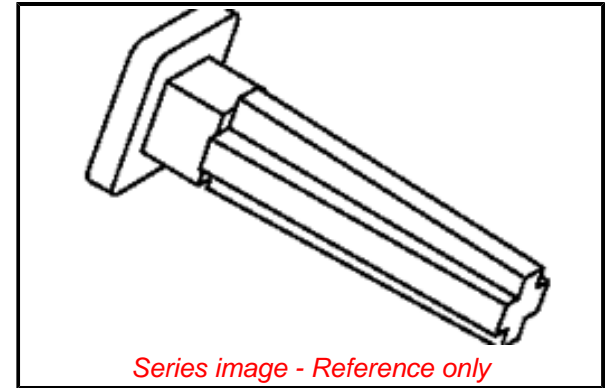
Lead-freeProcess Capability	N/A
-----------------------------	-----

Material Info

Engineering Number	2560-1
--------------------	--------

Reference - Drawing Numbers

Sales Drawing	SD-2560
---------------	---------



Series image - Reference only

EU ELV

Not Relevant

EU RoHS

Compliant

REACH SVHC

Not Contained Per -
D(2020)4578-DC (25
June 2020)

Halogen-Free

Status

Low-Halogen

For more information, please visit [Contact US](#)

China ROHS

ELV

RoHS Phthalates

China RoHS

Green Image

Not Relevant

Not Contained

Search Parts in this Series

[2560 Series](#)

Use With

[2139](#) KK Crimp Terminal. [2145](#) KK PC Board Connector