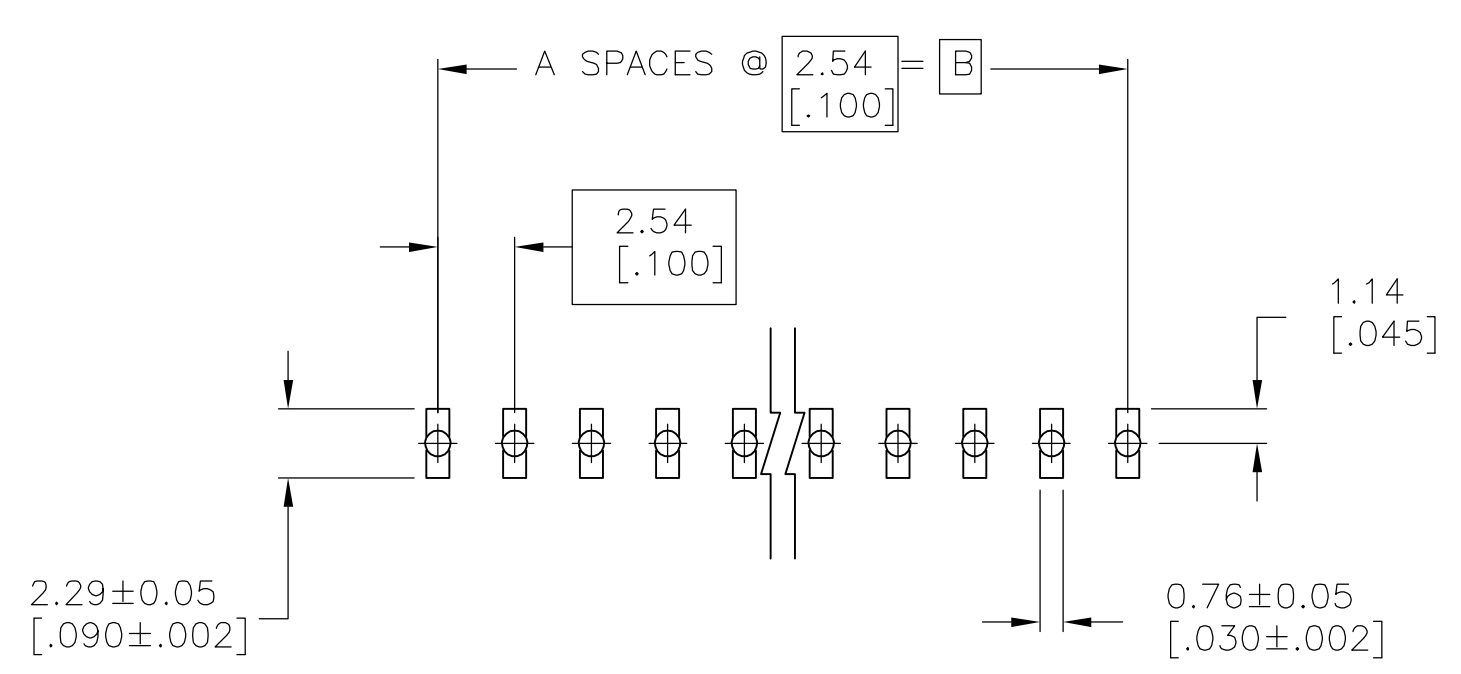
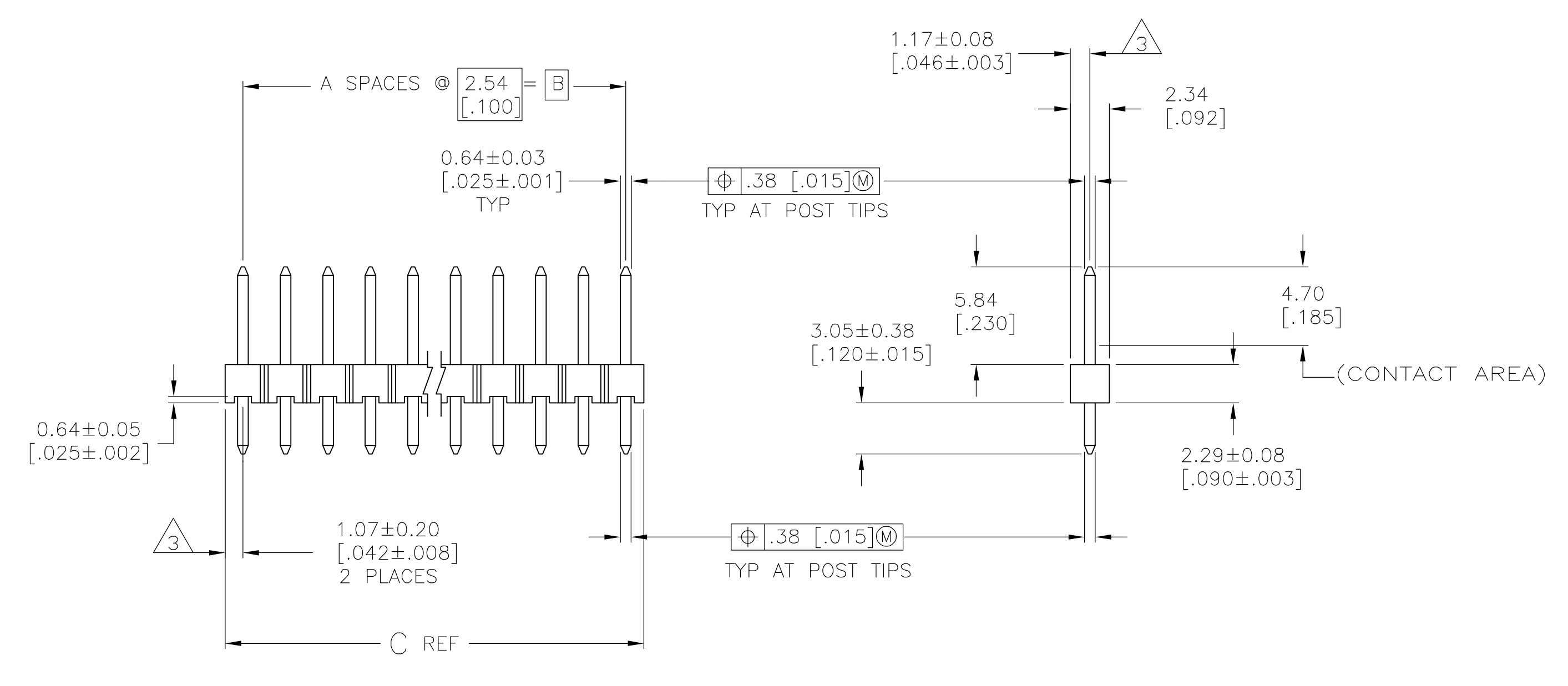


- ASSEMBLY MAY BE BROKEN TO THE DESIRED NUMBER OF POSITIONS
- TRUE POSITION TOLERANCE OF THE POST TIPS APPLIES WHEN THE HEADER IS HELD FLAT AGAINST THE PRINTED CIRCUIT BOARD
- THE NOTED DIMENSIONS APPLY AT THE INTERSECTION OF THE POST AND HOUSING
- PLATING: 0.00254-0.00508 [.000100-.000200] MATTE TIN LEAD, OVER 0.00127 [.000050] NICKEL.
- HOUSING: LCP, COLOR-BLACK. POSTS: PHOSPHOR BRONZE
- PLATING: 0.00254-0.00508 [.000100-.000200] MATTE TIN OVER 0.00127 [.000050] NICKEL.



RECOMMENDED PC BOARD MOUNTING DIMENSIONS FOR .063 [1.60] THICK PC BOARD AND .012 [.305] STENCIL THICK.

PLATING	C	B	A	NO. OF POSITIONS	PART NUMBER
6	101.19 [3.984]	99.06 [3.900]	39	40	9-146278-0
6	98.65 [3.884]	96.52 [3.800]	38	39	8-146278-9
6	96.11 [3.784]	93.98 [3.700]	37	38	8-146278-8
6	93.57 [3.684]	91.44 [3.600]	36	37	8-146278-7
6	91.03 [3.584]	88.90 [3.500]	35	36	8-146278-6
6	88.49 [3.484]	86.36 [3.400]	34	35	8-146278-5
6	85.95 [3.384]	83.82 [3.300]	33	34	8-146278-4
6	83.41 [3.284]	81.28 [3.200]	32	33	8-146278-3
6	80.87 [3.184]	78.74 [3.100]	31	32	8-146278-2
6	78.33 [3.084]	76.20 [3.000]	30	31	8-146278-1
6	75.79 [2.984]	73.66 [2.900]	29	30	8-146278-0
6	73.25 [2.884]	71.12 [2.800]	28	29	7-146278-9
6	70.71 [2.784]	68.58 [2.700]	27	28	7-146278-8
6	68.17 [2.684]	66.04 [2.600]	26	27	7-146278-7
6	65.63 [2.584]	63.5 [2.500]	25	26	7-146278-6
6	63.09 [2.484]	60.96 [2.400]	24	25	7-146278-5
6	60.55 [2.384]	58.42 [2.300]	23	24	7-146278-4
6	58.01 [2.284]	55.88 [2.200]	22	23	7-146278-3
6	55.47 [2.184]	53.34 [2.100]	21	22	7-146278-2
6	52.93 [2.084]	50.80 [2.000]	20	21	7-146278-1
6	50.39 [1.984]	48.26 [1.900]	19	20	7-146278-0
6	47.85 [1.884]	45.72 [1.800]	18	19	6-146278-9
6	45.31 [1.784]	43.18 [1.700]	17	18	6-146278-8
6	42.77 [1.684]	40.64 [1.600]	16	17	6-146278-7
6	40.23 [1.584]	38.10 [1.500]	15	16	6-146278-6
6	37.69 [1.484]	35.56 [1.400]	14	15	6-146278-5
6	35.15 [1.384]	33.02 [1.300]	13	14	6-146278-4
6	32.61 [1.284]	30.48 [1.200]	12	13	6-146278-3
6	30.07 [1.184]	27.94 [1.100]	11	12	6-146278-2
6	27.53 [1.084]	25.40 [1.000]	10	11	6-146278-1
6	24.99 [0.984]	22.86 [0.900]	9	10	6-146278-0
6	22.45 [0.884]	20.32 [0.800]	8	9	5-146278-9
6	19.91 [0.784]	17.78 [0.700]	7	8	5-146278-8
6	17.37 [0.684]	15.24 [0.600]	6	7	5-146278-7
6	14.83 [0.584]	12.70 [0.500]	5	6	5-146278-6
6	12.29 [0.484]	10.16 [0.400]	4	5	5-146278-5
6	9.75 [0.384]	7.62 [0.300]	3	4	5-146278-4
6	7.21 [0.284]	5.08 [0.200]	2	3	5-146278-3
6	4.67 [0.184]	2.54 [0.100]	1	2	5-146278-2
6	2.13 [0.084]	-	0	1	5-146278-1

PLATING	C	B	A	NO. OF POSITIONS	PART NUMBER
4	101.19 [3.984]	99.06 [3.900]	39	40	4-146278-0
4	98.65 [3.884]	96.52 [3.800]	38	39	3-146278-9
4	96.11 [3.784]	93.98 [3.700]	37	38	3-146278-8
4	93.57 [3.684]	91.44 [3.600]	36	37	3-146278-7
4	91.03 [3.584]	88.90 [3.500]	35	36	3-146278-6
4	88.49 [3.484]	86.36 [3.400]	34	35	3-146278-5
4	85.95 [3.384]	83.82 [3.300]	33	34	3-146278-4
4	83.41 [3.284]	81.28 [3.200]	32	33	3-146278-3
4	80.87 [3.184]	78.74 [3.100]	31	32	3-146278-2
4	78.33 [3.084]	76.20 [3.000]	30	31	3-146278-1
4	75.79 [2.984]	73.66 [2.900]	29	30	3-146278-0
4	73.25 [2.884]	71.12 [2.800]	28	29	2-146278-9
4	70.71 [2.784]	68.58 [2.700]	27	28	2-146278-8
4	68.17 [2.684]	66.04 [2.600]	26	27	2-146278-7
4	65.63 [2.584]	63.5 [2.500]	25	26	2-146278-6
4	63.09 [2.484]	60.96 [2.400]	24	25	2-146278-5
4	60.55 [2.384]	58.42 [2.300]	23	24	2-146278-4
4	58.01 [2.284]	55.88 [2.200]	22	23	2-146278-3
4	55.47 [2.184]	53.34 [2.100]	21	22	2-146278-2
4	52.93 [2.084]	50.80 [2.000]	20	21	2-146278-1
4	50.39 [1.984]	48.26 [1.900]	19	20	2-146278-0
4	47.85 [1.884]	45.72 [1.800]	18	19	1-146278-9
4	45.31 [1.784]	43.18 [1.700]	17	18	1-146278-8
4	42.77 [1.684]	40.64 [1.600]	16	17	1-146278-7
4	40.23 [1.584]	38.10 [1.500]	15	16	1-146278-6
4	37.69 [1.484]	35.56 [1.400]	14	15	1-146278-5
4	35.15 [1.384]	33.02 [1.300]	13	14	1-146278-4
4	32.61 [1.284]	30.48 [1.200]	12	13	1-146278-3
4	30.07 [1.184]	27.94 [1.100]	11	12	1-146278-2
4	27.53 [1.084]	25.40 [1.000]	10	11	1-146278-1
4	24.99 [0.984]	22.86 [0.900]	9	10	1-146278-0
4	22.45 [0.884]	20.32 [0.800]	8	9	146278-9
4	19.91 [0.784]	17.78 [0.700]	7	8	146278-8
4	17.37 [0.684]	15.24 [0.600]	6	7	146278-7
4	14.83 [0.584]	12.70 [0.500]	5	6	146278-6
4	12.29 [0.484]	10.16 [0.400]	4	5	146278-5
4	9.75 [0.384]	7.62 [0.300]	3	4	146278-4
4	7.21 [0.284]	5.08 [0.200]	2	3	146278-3
4	4.67 [0.184]	2.54 [0.100]	1	2	146278-2
4	2.13 [0.084]	-	0	1	146278-1

THIS DRAWING IS A CONTROLLED DOCUMENT. DWN T. HOFFMAN 23 MAY 95  
 CHK G. DUBNICZKI 07 JUN 95  
 APPO G. DUBNICZKI 07 JUN 95

TOLERANCES UNLESS OTHERWISE SPECIFIED:  
 0 PLC ± -  
 1 PLC ± -  
 2 PLC ± 0.51[.02]  
 3 PLC ± 0.127[.005]  
 4 PLC ± 0.0127[.0005]  
 ANGLES -  
 MATERIAL FINISH SEE TABLE

tyco Electronics Tyco Electronics Corporation Harrisburg, Pa 17105-3608  
 NAME HEADER ASSEMBLY, MOD II, BREAKAWAY, SINGLE ROW, HIGH TEMPERATURE, VERTICAL, W/.025 SQ. POSTS  
 APPLICATION SPEC  
 SIZE CAGE CODE DRAWING NO RESTRICTED TO  
 WEIGHT - A1 00779 C=146278 -  
 CUSTOMER DRAWING SCALE 4:1 SHEET 1 OF 1 REV G