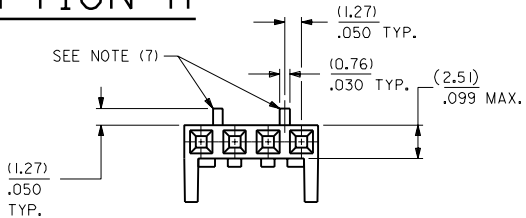
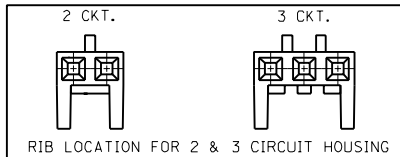


OPTION H

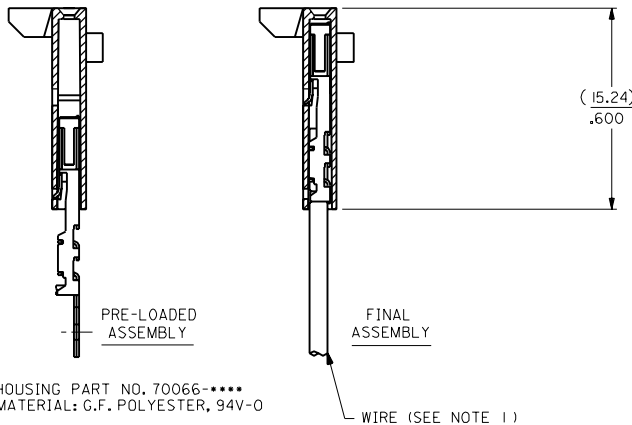


NOTES:

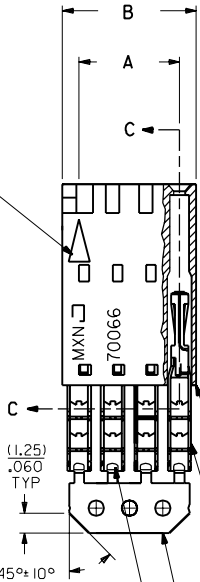
- 1) TO BE USED WITH (22) AWG. STRANDED WIRE WITH (1.35)/.053 DIA. MAX. INSULATION.
 - 2) SEE CHART FOR CIRCUIT SIZES.
 - 3) OPTION H & J PACKAGING PER PK-70873-0209.
 - 4) PARTS STACKABLE END TO END ON (2.54)/.100 CENTERS.
 - 5) REFER TO PRODUCT SPECIFICATION: PS-70400.
 - 6) SEE DWG. SDA-70400-**** (SHT. 5) FOR OPTIONAL HOUSING DETAILS.
 - 7) 4 CIRCUIT SHOWN. 3 - 25 CKT'S. HAVE (2) RIBS.
 - 8) TO MATE WITH MOLEX KK-100 SERIES HEADERS.
- 9) 2 CIRCUIT ASSEMBLIES SUPPLIED AS GROUPED PAIRS.



SECTION C-C



CIRCUIT NO. 1 IDENTIFICATION



I.D. SLOT CODE TO WIRE GAUGE CHART	
I.D. SLOT CODE	WIRE GAUGE
D	22 AWG.

PLATING CODE (STRIPE ON CARRIER STRIP)	
PLATING	COLOR
574	RED

TERMINAL PART NO. 70028-****
MATERIAL: PHOSPHOR BRONZE
PLATING PER ES-88-***

574 - .000030 MIN. GOLD IN SELECT AREA WITH
.000075 MIN. TIN/LEAD (90/10)
IN SELECT AREA OVER .000050 MIN. NICKEL
OVER-ALL.

CKT. SIZE	DIMENSIONS (INCH)		EDP. NO.	ENG. NO.
	A	B		
2	(2.54) .100	(5.05) .199	14-56-8023	A-70400-2941
3	(5.08) .200	(7.59) .299	14-56-8033	A-70400-2942
4	(7.62) .300	(10.13) .399	14-56-8043	A-70400-2943
5	(10.16) .400	(12.67) .499	14-56-8053	A-70400-2944
6	(12.70) .500	(15.21) .599	14-56-8063	A-70400-2945
7	(15.24) .600	(17.75) .699	14-56-8073	A-70400-2946
8	(17.78) .700	(20.29) .799	14-56-8083	A-70400-2947
9	(20.32) .800	(22.83) .899	14-56-8093	A-70400-2948
10	(22.86) .900	(25.37) .999	14-56-8103	A-70400-2949
11	(25.54) 1.000	(27.91) 1.099	14-56-8113	A-70400-2950
12	(27.94) 1.100	(30.45) 1.199	14-56-8123	A-70400-2951
13	(30.48) 1.200	(32.99) 1.299	14-56-8133	A-70400-2952
14	(33.02) 1.300	(35.53) 1.399	14-56-8143	A-70400-2953
15	(35.56) 1.400	(38.07) 1.499	14-56-8153	A-70400-2954
16	(38.10) 1.500	(40.61) 1.599	14-56-8163	A-70400-2955
17	(40.64) 1.600	(43.15) 1.699	14-56-8173	A-70400-2956
18	(43.18) 1.700	(45.69) 1.799	14-56-8183	A-70400-2957
19	(45.72) 1.800	(48.23) 1.899	14-56-8193	A-70400-2958
20	(48.26) 1.900	(50.77) 1.999	14-56-8203	A-70400-2959
21	(50.80) 2.000	(53.31) 2.099	14-56-8213	A-70400-2960
22	(53.34) 2.100	(55.85) 2.199	14-56-8223	A-70400-2961
23	(55.88) 2.200	(58.39) 2.299	14-56-8233	A-70400-2962
24	(58.42) 2.300	(60.93) 2.399	14-56-8243	A-70400-2963
25	(60.96) 2.400	(63.47) 2.499	14-56-8253	A-70400-2964

D2	ADD CARRIER CHAMF ECN #UDT 1988-0280 05/20/98 LMCGRATH	C	REVISED PER ECR NO. UB2110 10-17-88 BJS
D1	STD PKG -0209 ECR# U7-0733 MCFARLA 97-2-28	B	REVISE PER ECR #UB0110 2/3/88 MJM
D	REVISED PACKAGING ECR NO. U00729 10-8-90 AAB	A	RELEASE FOR PROD. PER ERO NO. 25421 10-26-87 AAB

LTR.	REVISIONS	LTR.	REVISIONS
------	-----------	------	-----------

DIMENSIONS SHOWN METRIC (INCH)	
INCH	METRIC
3 PLACE ± .010	---
2 PLACE ± .014	± 0.25
1 PLACE ---	± 0.35
DRAFT WHERE APPLICABLE MUST REMAIN WITHIN DIMENSIONS	
DRWG. BY: AAB	CHKD. BY: WAZ
APP'D. BY:	SCALE: 4:1

UNLESS OTHERWISE SPECIFIED TOLERANCES: ANGULAR 1/16"		REVISE ONLY ON CAD SYSTEM	
TITLE: ASSEMBLY, SL CONNECTOR (SINGLE ROW - (2.54)/.100 GRID)			
MOLEX INCORPORATED LITTLE ROCK, AR 72616-0032		SHEET NO. 1 OF 1	DATE 10/26/87
PART NO. SDA-70400-2941-2964		DRWG. NO. 74002941	
SEE CHART		THIS DRAWING CONTAINS INFORMATION THAT IS PROPRIETARY TO MOLEX INC. AND SHOULD NOT BE USED WITHOUT WRITTEN PERMISSION.	
DA	DA	DA	DA

70400

MFG. SH. REV.