

147381-9 ✓ ACTIVE

AMPMODU | AMPMODU 50/50 Grid

TE Internal #: 147381-9

PCB Mount Header, Vertical, Board-to-Board, 100 Position, .05 in [1.27 mm] Centerline, Fully Shrouded, Gold, Surface Mount, Black, AMPMODU 50/50 Grid

[View on TE.com >](#)



Connectors > PCB Connectors > PCB Headers & Receptacles



PCB Connector Assembly Type: **PCB Mount Header**

PCB Mount Orientation: **Vertical**

Connector System: **Board-to-Board**

Number of Positions: **100**

Number of Rows: **2**

## Features

### Product Type Features

|                                   |                       |
|-----------------------------------|-----------------------|
| PCB Connector Assembly Type       | PCB Mount Header      |
| Connector System                  | Board-to-Board        |
| Header Type                       | Fully Shrouded        |
| Sealable                          | No                    |
| Connector & Contact Terminates To | Printed Circuit Board |

### Configuration Features

|                                  |                    |
|----------------------------------|--------------------|
| Connector Contact Load Condition | Selectively Loaded |
| PCB Mount Orientation            | Vertical           |
| Number of Positions              | 100                |
| Number of Rows                   | 2                  |
| Board-to-Board Configuration     | Parallel           |

### Electrical Characteristics

|                   |        |
|-------------------|--------|
| Operating Voltage | 30 VAC |
|-------------------|--------|

### Body Features

|  |                      |
|--|----------------------|
| PCB Retention Feature Material         | Copper Alloy         |
| PCB Retention Feature Plating Material | Tin-Lead over Nickel |
| Primary Product Color                  | Black                |

### Contact Features



|   |                 |
|---|-----------------|
|   | 150 µin         |
| Mating Pin Diameter                           | .46 mm[.018 in] |
| Contact Shape & Form                          | Round           |
| Contact Underplating Material                 | Nickel          |
| PCB Contact Termination Area Plating Material | Tin-Lead        |
| Contact Base Material                         | Phosphor Bronze |
| Contact Mating Area Plating Material          | Gold            |
| Contact Type                                  | Pin             |
| Contact Current Rating (Max)                  | .5 A            |

### Termination Features

|   |                 |
|---|-----------------|
| Round Termination Post & Tail Diameter      | .46 mm[.018 in] |
|   | .03 in          |
| Termination Method to Printed Circuit Board | Surface Mount   |

### Mechanical Attachment

|                          |                |
|--------------------------|----------------|
| PCB Mount Retention Type | Hold-Down Post |
| Mating Alignment         | With           |
| Mating Alignment Type    | Keyed          |
| PCB Mount Retention      | With           |

### Housing Features

|                    |                              |
|--------------------|------------------------------|
| Centerline (Pitch) | 1.27 mm[.05 in]              |
| Housing Material   | LCP (Liquid Crystal Polymer) |

### Dimensions

|                    |                 |
|--------------------|-----------------|
| Row-to-Row Spacing | 1.27 mm[.05 in] |
| Stack Height       | 6.35 mm[.25 in] |

### Usage Conditions

|                             |              |
|-----------------------------|--------------|
| Operating Temperature Range | -65 – 105 °C |
|-----------------------------|--------------|

### Operation/Application

|                          |              |
|--------------------------|--------------|
| Assembly Process Feature | Vacuum Cover |
|--------------------------|--------------|

### Industry Standards

|                        |                       |
|------------------------|-----------------------|
| Approved Standards     | CSA LR7189, UL E28476 |
| UL Flammability Rating | UL 94V-0              |

### Packaging Features



|                    |             |
|--------------------|-------------|
| Packaging Quantity | 450         |
| Packaging Type     | Tape & Reel |

### Product Compliance

[For compliance documentation, visit the product page on TE.com>](#)

|   |  |
|---|--|
| EU RoHS Directive 2011/65/EU                  | Compliant  |
| EU ELV Directive 2000/53/EC                   | Compliant  |
| China RoHS 2 Directive MIIT Order No 32, 2016 | No Restricted Materials Above Threshold  |
| EU REACH Regulation (EC) No. 1907/2006        | Current ECHA Candidate List: JUNE 2022 (224)<br>Candidate List Declared Against: JUN 2020 (209)<br>SVHC > Threshold:<br>Not Yet Reviewed |
| Halogen Content                               | Not Low Halogen - contains Br or Cl > 900 ppm.   |
| Solder Process Capability                     | Reflow solder capable to 260°C   |

#### Product Compliance Disclaimer

This information is provided based on reasonable inquiry of our suppliers and represents our current actual knowledge based on the information they provided. This information is subject to change. The part numbers that TE has identified as EU RoHS compliant have a maximum concentration of 0.1% by weight in homogenous materials for lead, hexavalent chromium, mercury, PBB, PBDE, DBP, BBP, DEHP, DIBP, and 0.01% for cadmium, or qualify for an exemption to these limits as defined in the Annexes of Directive 2011/65/EU (RoHS2). Finished electrical and electronic equipment products will be CE marked as required by Directive 2011/65/EU. Components may not be CE marked. Additionally, the part numbers that TE has identified as EU ELV compliant have a maximum concentration of 0.1% by weight in homogenous materials for lead, hexavalent chromium, and mercury, and 0.01% for cadmium, or qualify for an exemption to these limits as defined in the Annexes of Directive 2000/53/EC (ELV). Regarding the REACH Regulation, the information TE provides on SVHC in articles for this part number is based on the latest European Chemicals Agency (ECHA) 'Guidance on requirements for substances in articles' posted at this URL: <https://echa.europa.eu/guidance-documents/guidance-on-reach>

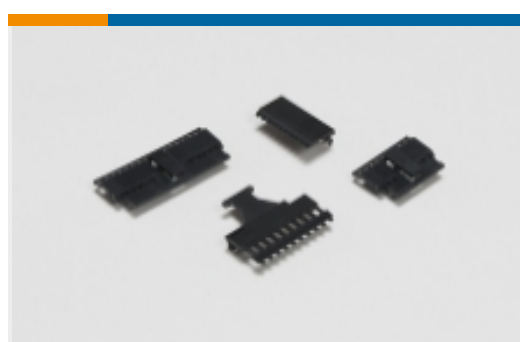
### Compatible Parts



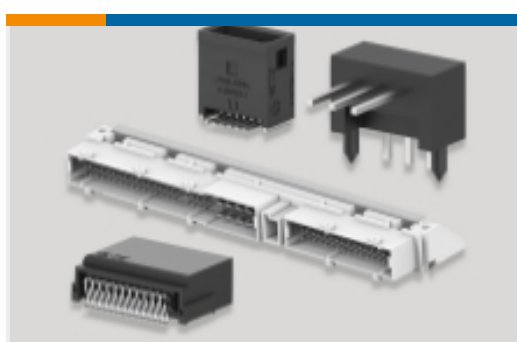
Also in the Series | **AMPMODU 50/50 Grid**



Insertion &amp; Extraction Tools(1)



PCB Connector Covers(9)

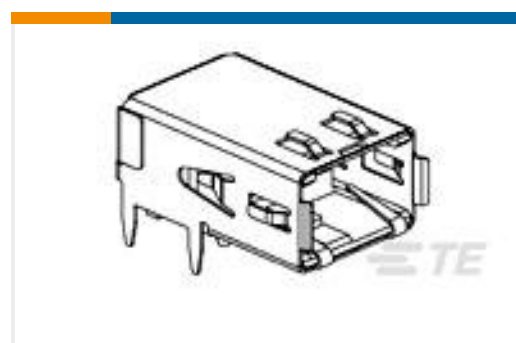
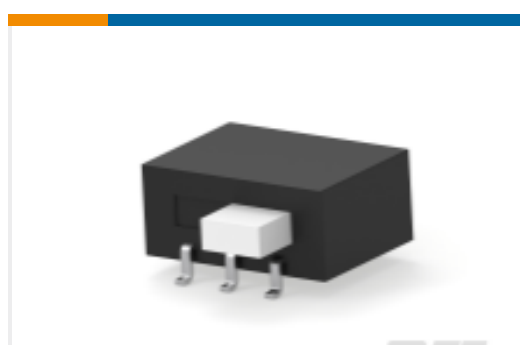


PCB Headers &amp; Receptacles(302)



Ribbon Cable Connectors(34)

## Customers Also Bought

TE Part #4-2176391-7  
RQ 1206 37K4 0.1% 10PPM 5K RLTE Part #1-928836-2  
MOD2 PIN WITH A-PIN L/PTE Part #7-2176246-6  
CRGS2512 5% 1M8TE Part #1761072-3  
RECPT,HSSDC2,FIBRE,TRAY PKGTE Part #3-1415020-1  
PT570N20TE Part #1-1437581-1  
ASE22RL=AUTOSLIDE DPTE Part #2176314-4  
MELF SMA\_A 180R 0.1% 15PPM 0102  
0.3W

## Documents

### Product Drawings

100 50/50 HDR SMT.250 W/HD VC

English

### CAD Files

3D PDF

3D

Customer View Model

[ENG\\_CVM\\_CVM\\_147381-9\\_D.2d\\_dxf.zip](#)

English

Customer View Model

[ENG\\_CVM\\_CVM\\_147381-9\\_D.3d\\_igs.zip](#)

English

Customer View Model

[ENG\\_CVM\\_CVM\\_147381-9\\_D.3d\\_stp.zip](#)

English

By downloading the CAD file I accept and agree to the [Terms and Conditions](#) of use.



---

**Product Specifications**

**Application Specification**

English

---

**Agency Approvals**

**UL Report**

English