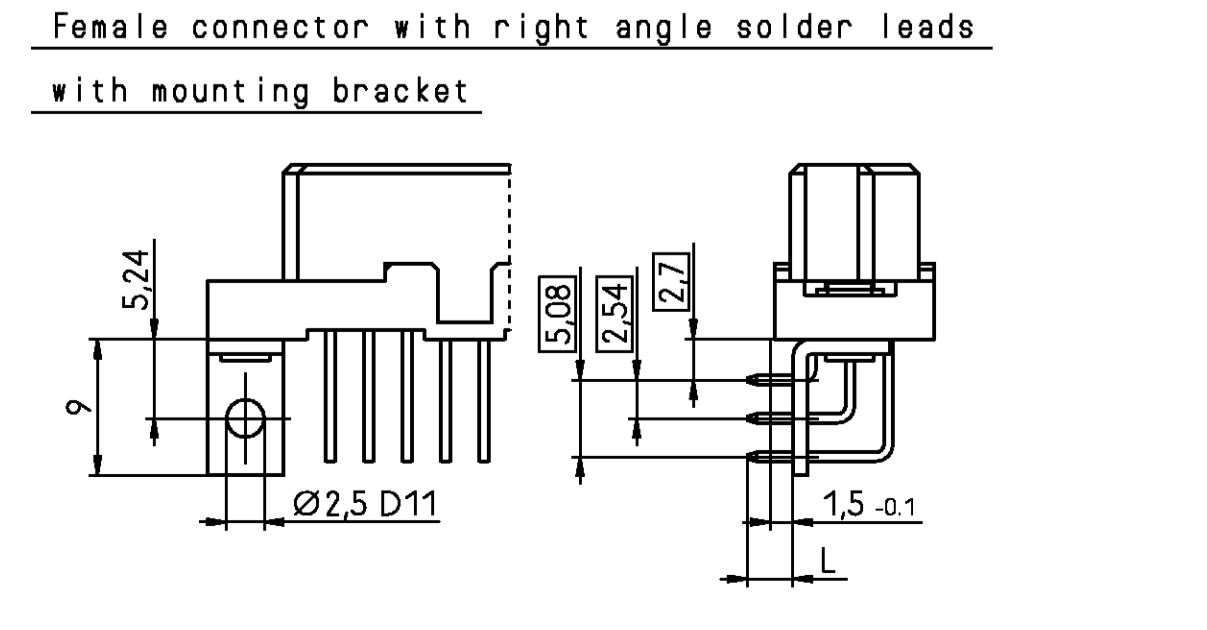
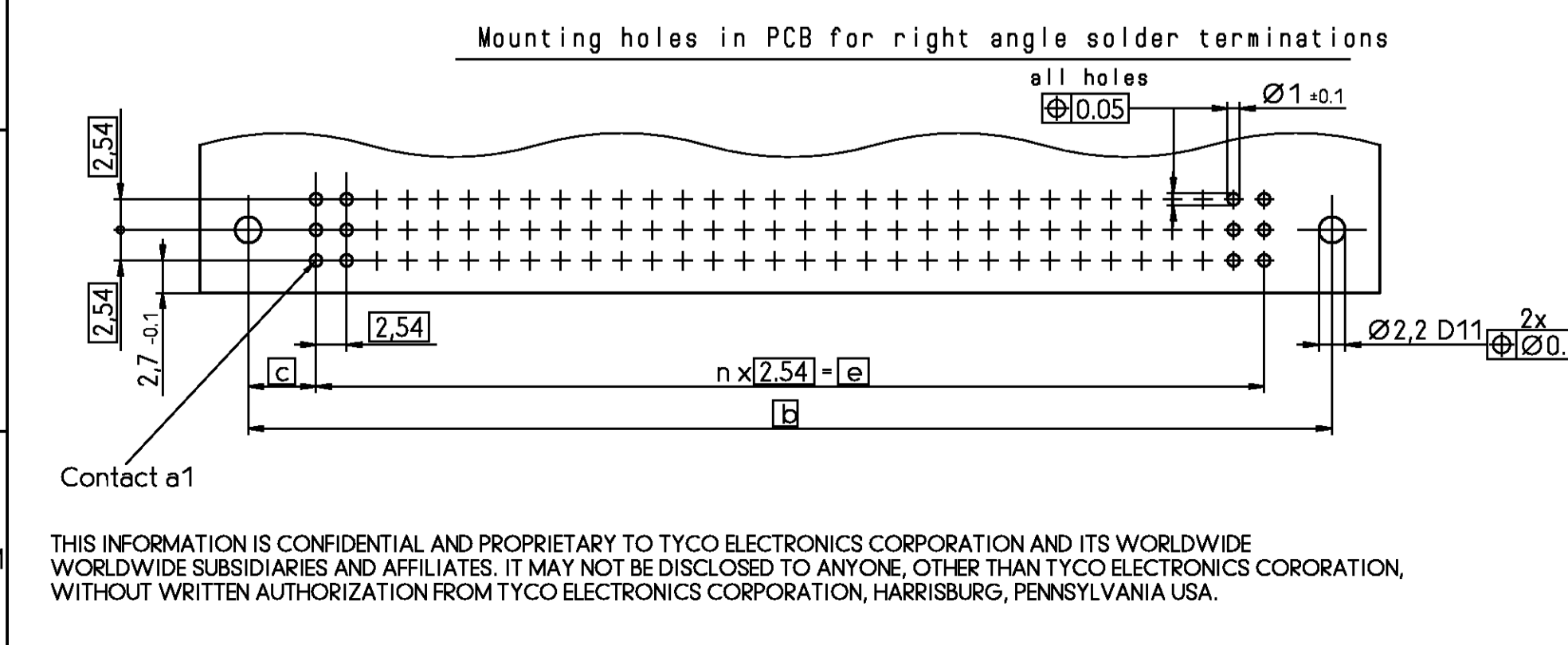
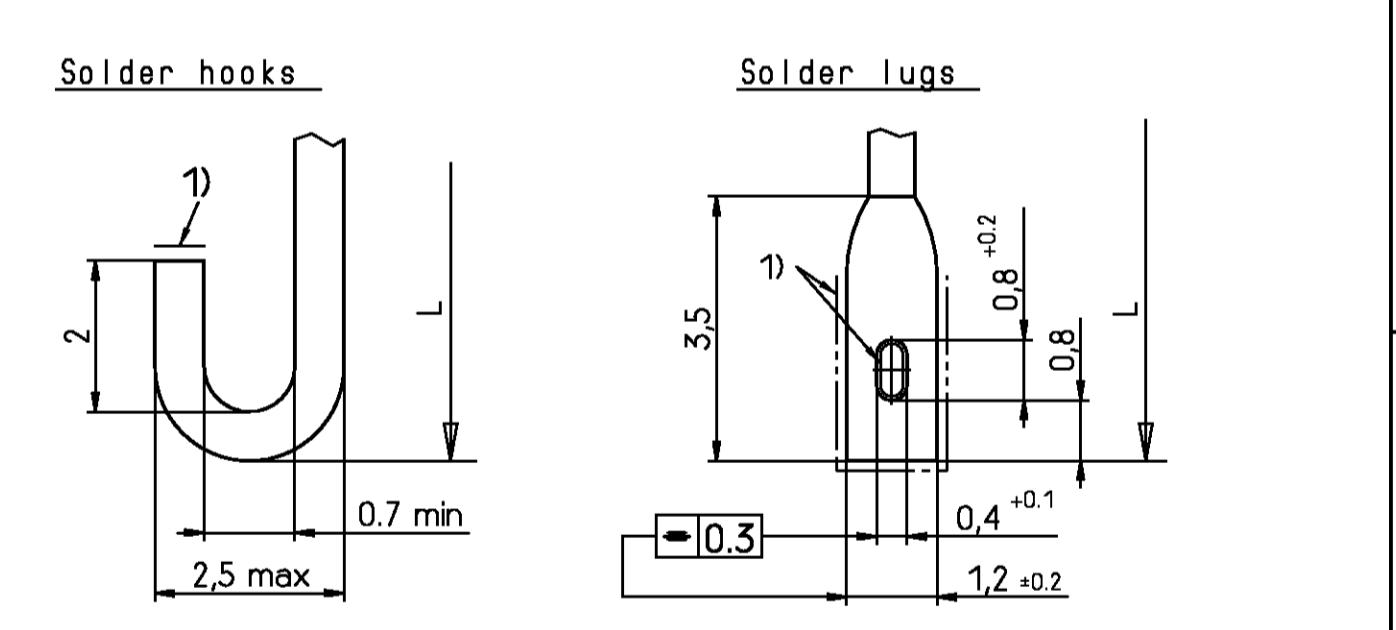
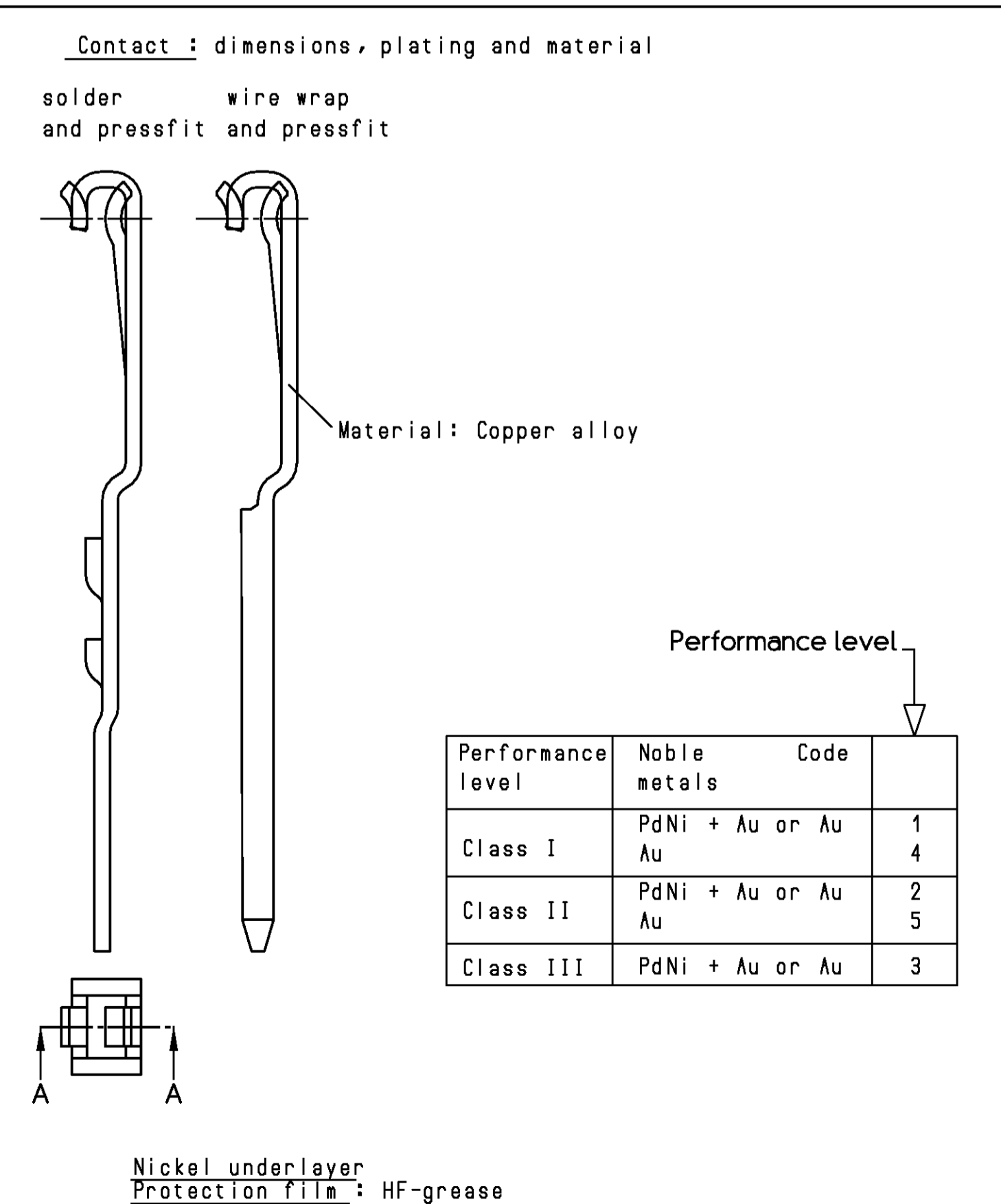
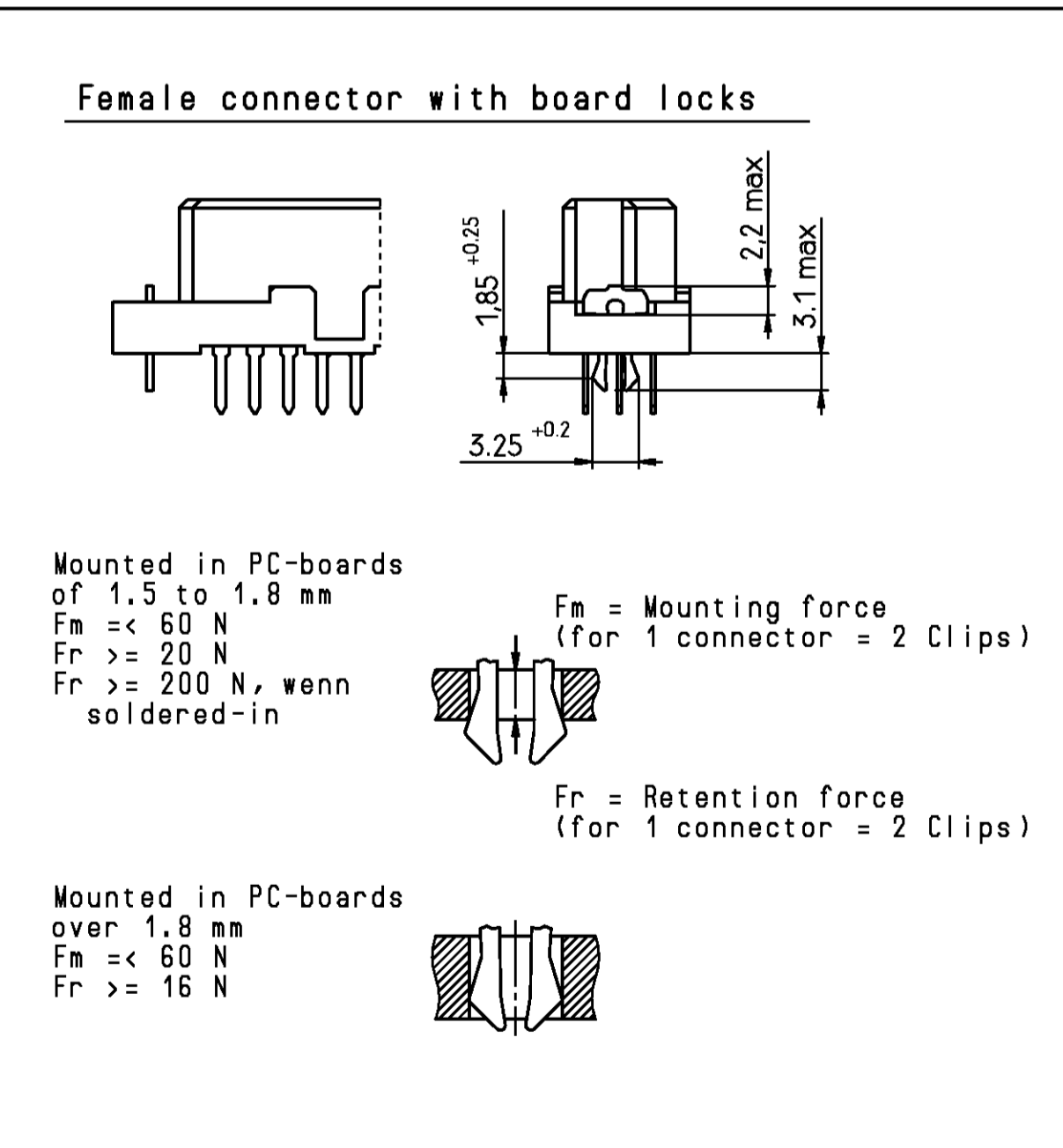
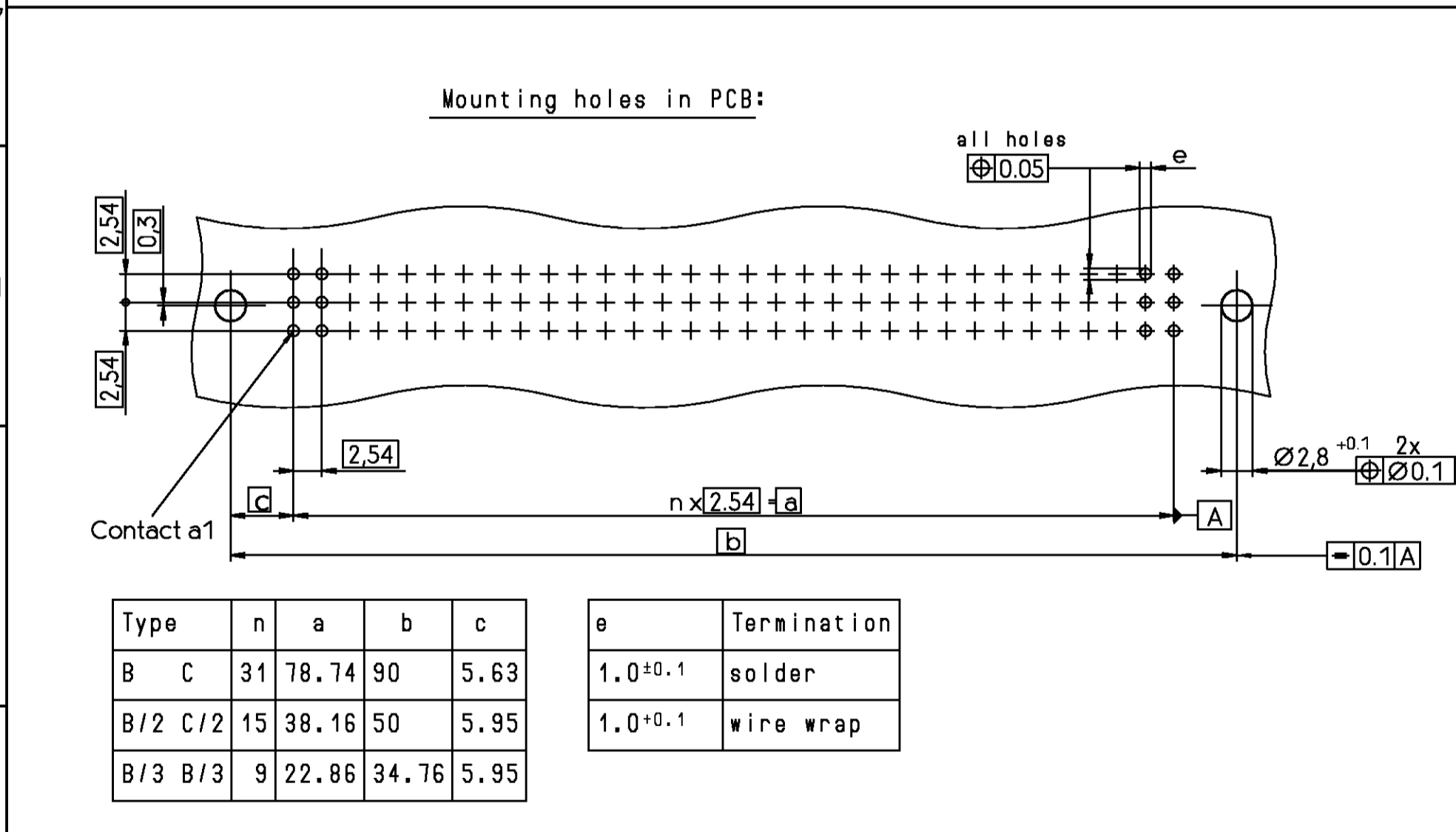


Termination Styles

Termination Style	L	Code
Solder terminations	2.9 ± 0.3	01
	3.7 ± 0.3	05
	4.5 ± 0.3	02
	6 ± 0.3	03
Wire wrap solder	7.3 ± 0.3	04
Wire wrap solder	13 ± 0.5	40
Wire wrap terminations and solder termination	5.5 ± 0.3	30
	10 ± 0.5	
Solder hooks	5.5 ± 0.3	35
Solder lugs	10 ± 0.5	
Solder right angle	1.55 ± 0.4	00
Solder right angle	3 - 0.4	
with mounting bracket	13 ± 0.5	10
	17 ± 0.5	
	4 ± 0.5	
	13 ± 0.5	
	17 ± 0.5	
	6 ± 0.5	
	6 ± 0.5	
Termination with Sn	60	Termination with Sn
	61	
	63	
	66	
	67	
	69	
	70	



V 4 2 2 5 4 - * 2 * * * - + * * *

B : Standard version
 F : Version with flux-tight coating

Code for performance level
 Code for termination style

Style, no of contacts and contact assignment see Page 2

THIS INFORMATION IS CONFIDENTIAL AND PROPRIETARY TO TYCO ELECTRONICS CORPORATION AND ITS WORLDWIDE SUBSIDIARIES AND AFFILIATES. IT MAY NOT BE DISCLOSED TO ANYONE, OTHER THAN TYCO ELECTRONICS CORPORATION, WITHOUT WRITTEN AUTHORIZATION FROM TYCO ELECTRONICS CORPORATION, HARRISBURG, PENNSYLVANIA USA.

