

1355044-1 ✓ ACTIVE

AMP | Standard Power Timer

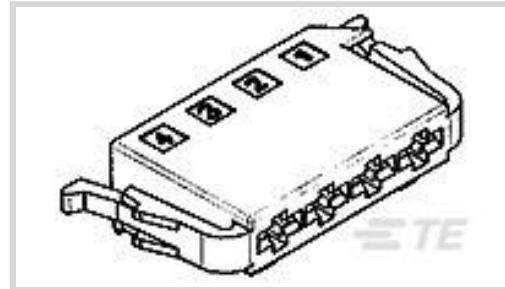
TE Internal #: 1355044-1

Housing for Female Terminals, Wire-to-Wire, 4 Position, .295 in [7.5 mm] Centerline, Black, Signal, Cable Mount (Free-Hanging), Standard Power Timer

[View on TE.com >](#)



Connectors > Automotive Connectors > Connector Housings > TIMER, CONNECTOR HOUSING



Connector & Housing Type: **Housing for Female Terminals**

Mating Tab Width: **4.8 mm [.189 in]**

Connector System: **Wire-to-Wire**

Number of Positions: **4**

Centerline (Pitch): **7.5 mm [.295 in]**

[All TIMER, CONNECTOR HOUSING \(543\)](#)

Features

Product Type Features

Connector & Housing Shape	Rectangular
Connector & Housing Type	Housing for Female Terminals
Connector System	Wire-to-Wire
Sealable	No
Hybrid Connector	No
Primary Locking Feature	On the Terminal

Configuration Features

Number of Positions	4
Number of Rows	1

Electrical Characteristics

Operating Voltage	12 VDC
Nominal Voltage Architecture	12 V

Body Features

Cable Exit Angle	180°
Body Material	PA
Primary Product Color	Black



Contact Features

Contact Size	4.8mm
Contact Type	Receptacle
Mating Tab Width	4.8 mm[.189 in]

Mechanical Attachment

Mounting Feature	Without
Terminal Position Assurance	No
Strain Relief	Add By Accessory
Mating Alignment Type	Polarized
Mating Alignment	With
Connector Mounting Type	Cable Mount (Free-Hanging)

Housing Features

Centerline (Pitch)	7.5 mm[.295 in]
--------------------	-----------------

Dimensions

Product Width	10 mm[.394 in]
Product Length	32 mm[1.26 in]
Product Height	22.5 mm[.886 in]

Usage Conditions

Operating Temperature (Max)	70 °C, 75 °C, 80 °C, 85 °C, 90 °C, 100 °C, 105 °C, 110 °C[158 °F][167 °F][176 °F][185 °F][194 °F][212 °F][221 °F][230 °F]
Operating Temperature Range	-40 – 110 °C[-40 – 230 °F]

Operation/Application

Circuit Application	Signal
---------------------	--------

Industry Standards

UL Flammability Rating	UL 94V-2
------------------------	----------

Packaging Features

Packaging Method	Bag
------------------	-----

Other

Serviceable	Yes
Connector Position Assurance Capable	No



Product Compliance

[For compliance documentation, visit the product page on TE.com>](#)

EU RoHS Directive 2011/65/EU	Compliant
EU ELV Directive 2000/53/EC	Compliant
China RoHS 2 Directive MIIT Order No 32, 2016	No Restricted Materials Above Threshold
EU REACH Regulation (EC) No. 1907/2006	Current ECHA Candidate List: JAN 2022 (223) Candidate List Declared Against: JAN 2022 (223) Does not contain REACH SVHC
Halogen Content	Low Halogen - Br, Cl, F, I < 900 ppm per homogenous material. Also BFR/CFR/PVC Free
Solder Process Capability	Not applicable for solder process capability

Product Compliance Disclaimer

This information is provided based on reasonable inquiry of our suppliers and represents our current actual knowledge based on the information they provided. This information is subject to change. The part numbers that TE has identified as EU RoHS compliant have a maximum concentration of 0.1% by weight in homogenous materials for lead, hexavalent chromium, mercury, PBB, PBDE, DBP, BBP, DEHP, DIBP, and 0.01% for cadmium, or qualify for an exemption to these limits as defined in the Annexes of Directive 2011/65/EU (RoHS2). Finished electrical and electronic equipment products will be CE marked as required by Directive 2011/65/EU. Components may not be CE marked. Additionally, the part numbers that TE has identified as EU ELV compliant have a maximum concentration of 0.1% by weight in homogenous materials for lead, hexavalent chromium, and mercury, and 0.01% for cadmium, or qualify for an exemption to these limits as defined in the Annexes of Directive 2000/53/EC (ELV). Regarding the REACH Regulation, the information TE provides on SVHC in articles for this part number is based on the latest European Chemicals Agency (ECHA) 'Guidance on requirements for substances in articles' posted at this URL: <https://echa.europa.eu/guidance-documents/guidance-on-reach>

Compatible Parts



Also in the Series | [Standard Power Timer](#)



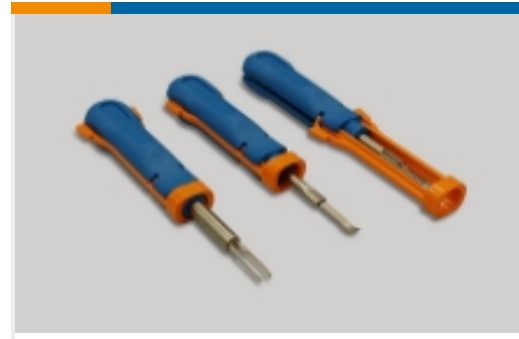
Automotive Housings(31)



Automotive Terminals(54)



Busbars & Terminals(3)



Insertion & Extraction Tools(1)

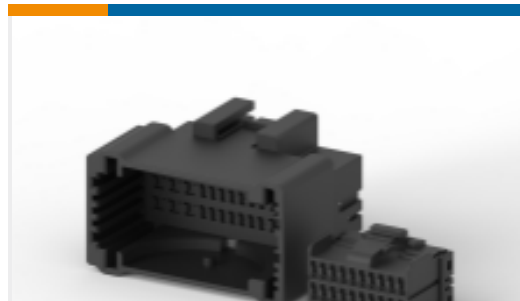


Module Components(8)

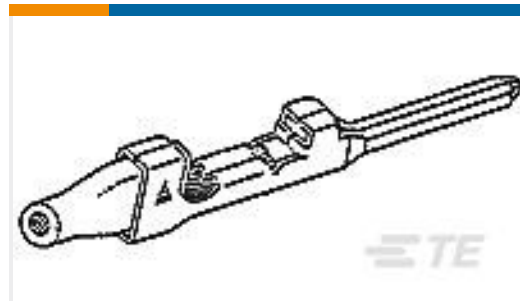
Customers Also Bought



TE Part #965082-1
2X 2P LOCK-CLIP GEH



TE Part #179057-6
MULTILOCK, CONNECTOR HOUSING



TE Part #175063-1
040 MULTILOCK TAB CONT. L/P



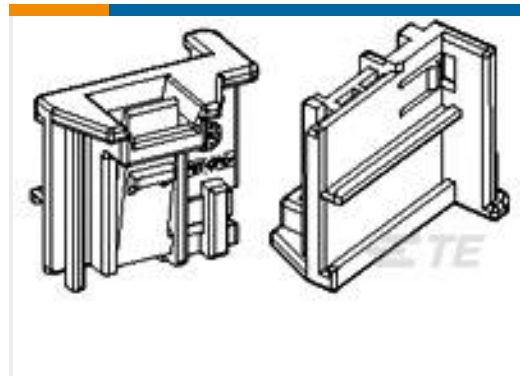
TE Part #281872-1
5MM PITCH TAB/RCPT CONN



TE Part #2709943001
ACW0219-0.75-9(NS)



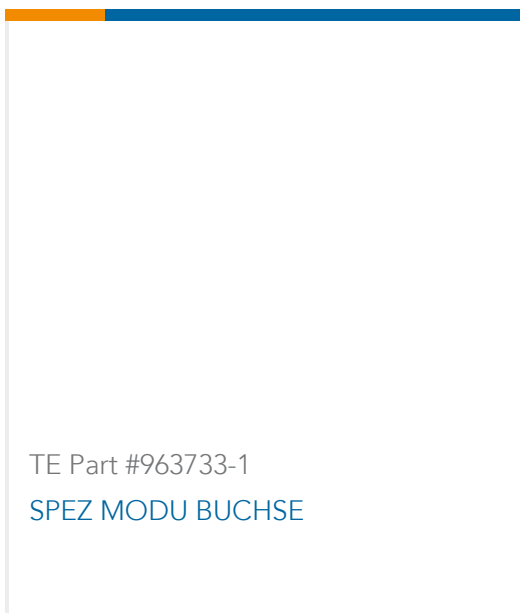
TE Part #282308-1
5MM PITCH RCPT CONTACT



TE Part #1355081-1
MQS RETAINER



TE Part #344080-1
RCPT. HSG. ASSY. 4 WAY



TE Part #963733-1
SPEZ MODU BUCHSE

Documents



Product Drawings

STD POW TIM GEH 4P

English

CAD Files

Customer View Model

[ENG_CVM_CVM_1355044-1_C.2d_dxf.zip](#)

English

3D PDF

3D

Customer View Model

[ENG_CVM_CVM_1355044-1_C.3d_igs.zip](#)

English

Customer View Model

[ENG_CVM_CVM_1355044-1_C.3d_stp.zip](#)

English

By downloading the CAD file I accept and agree to the [Terms and Conditions](#) of use.

Datasheets & Catalog Pages

Timer Interconnection System

English