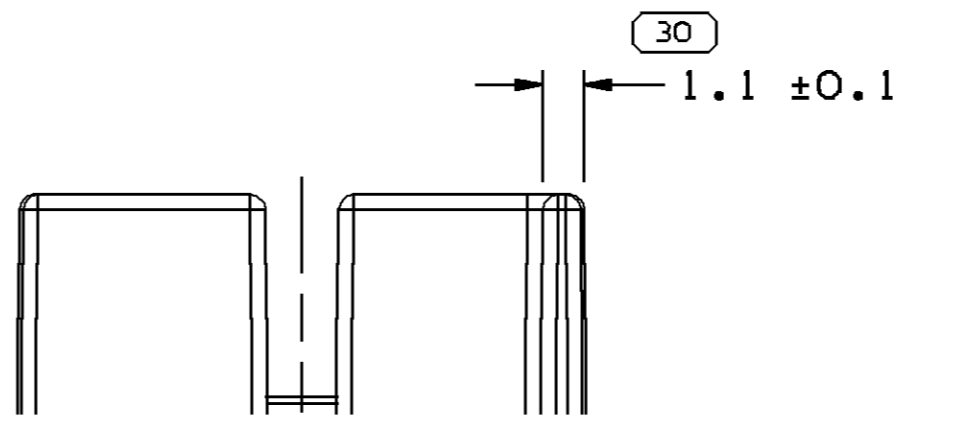
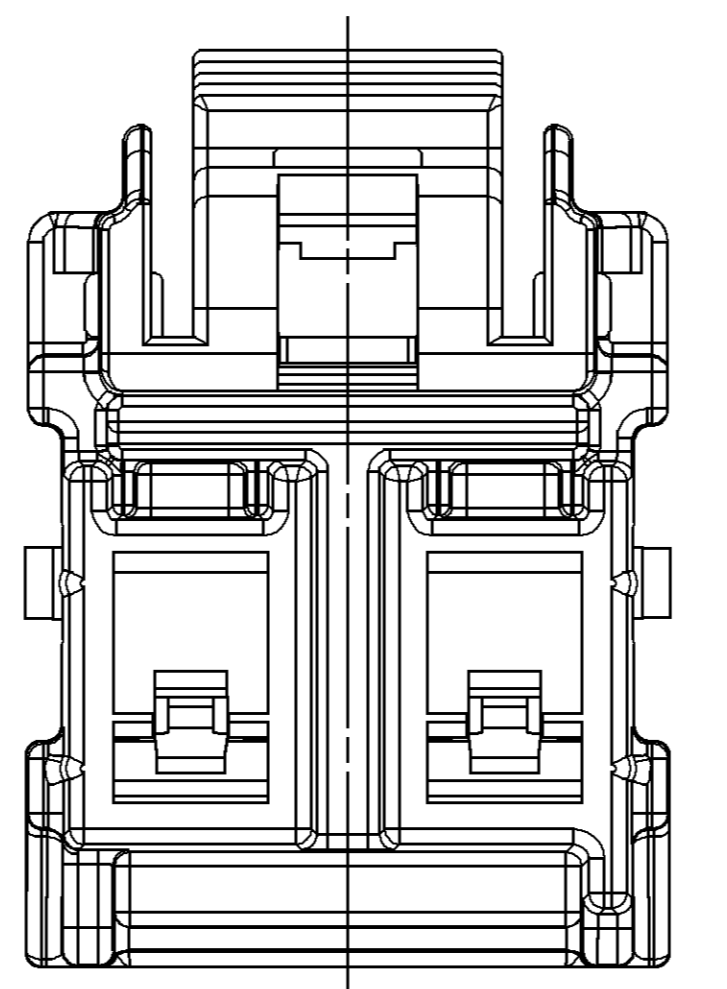
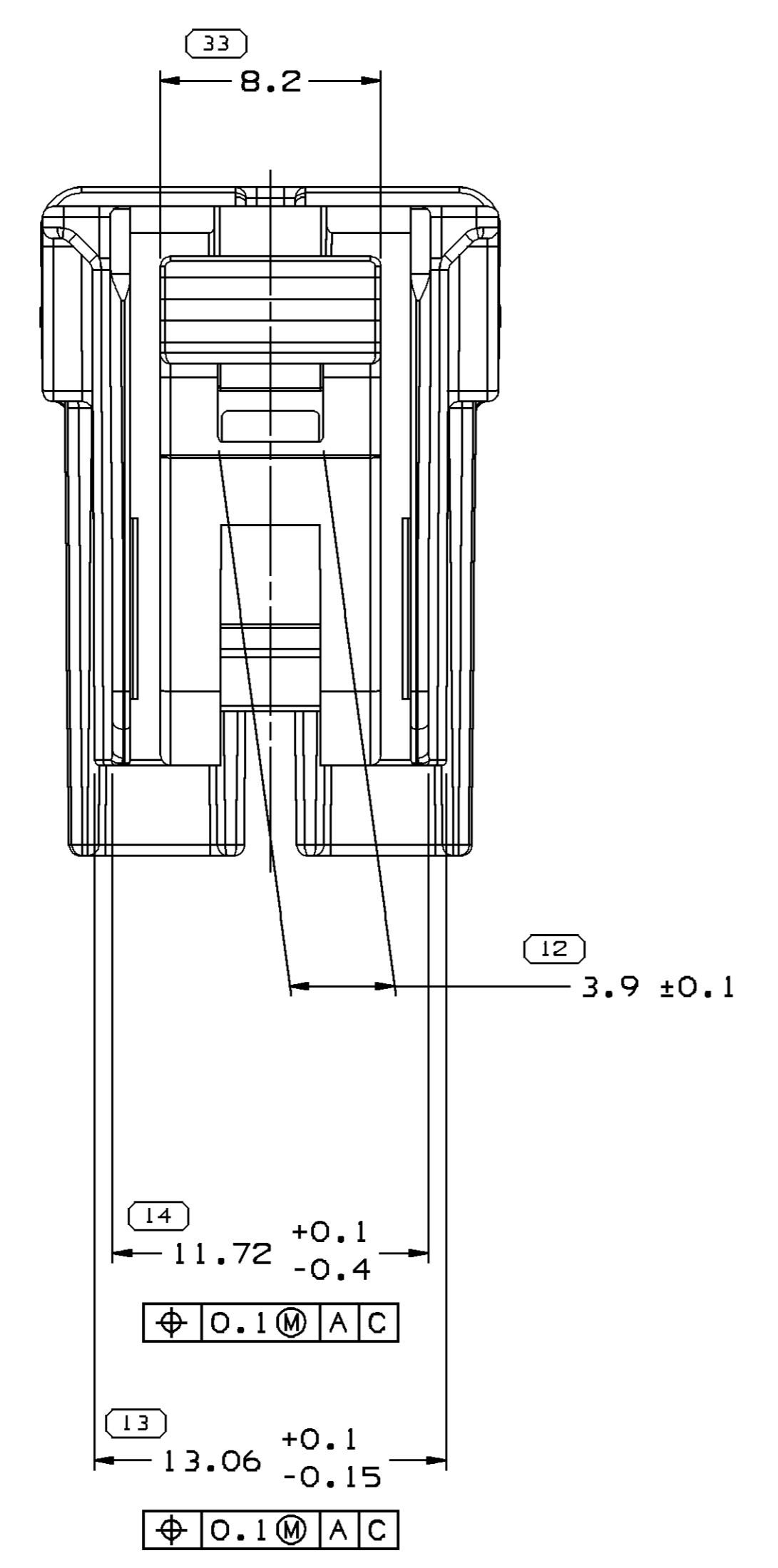
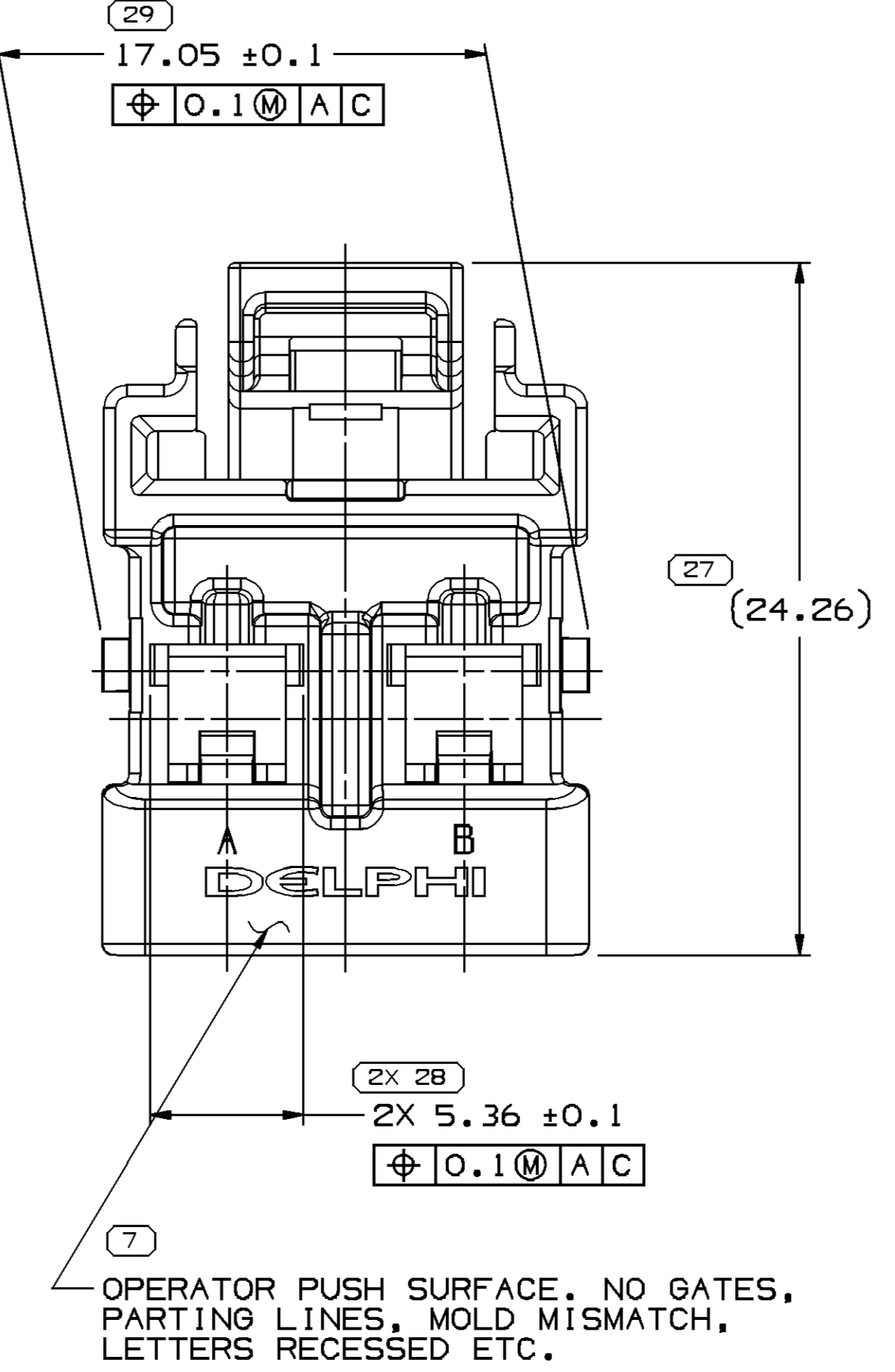
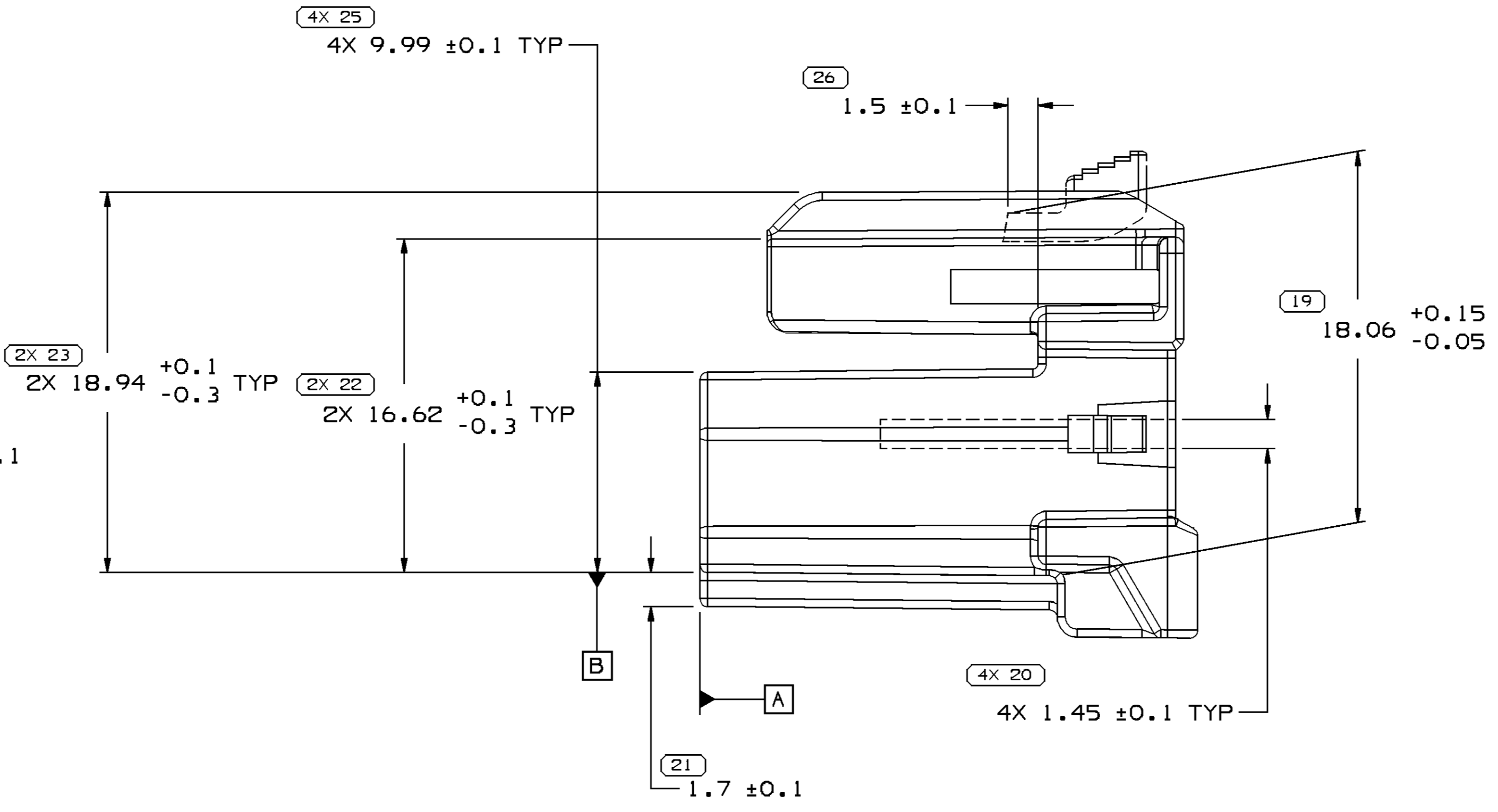
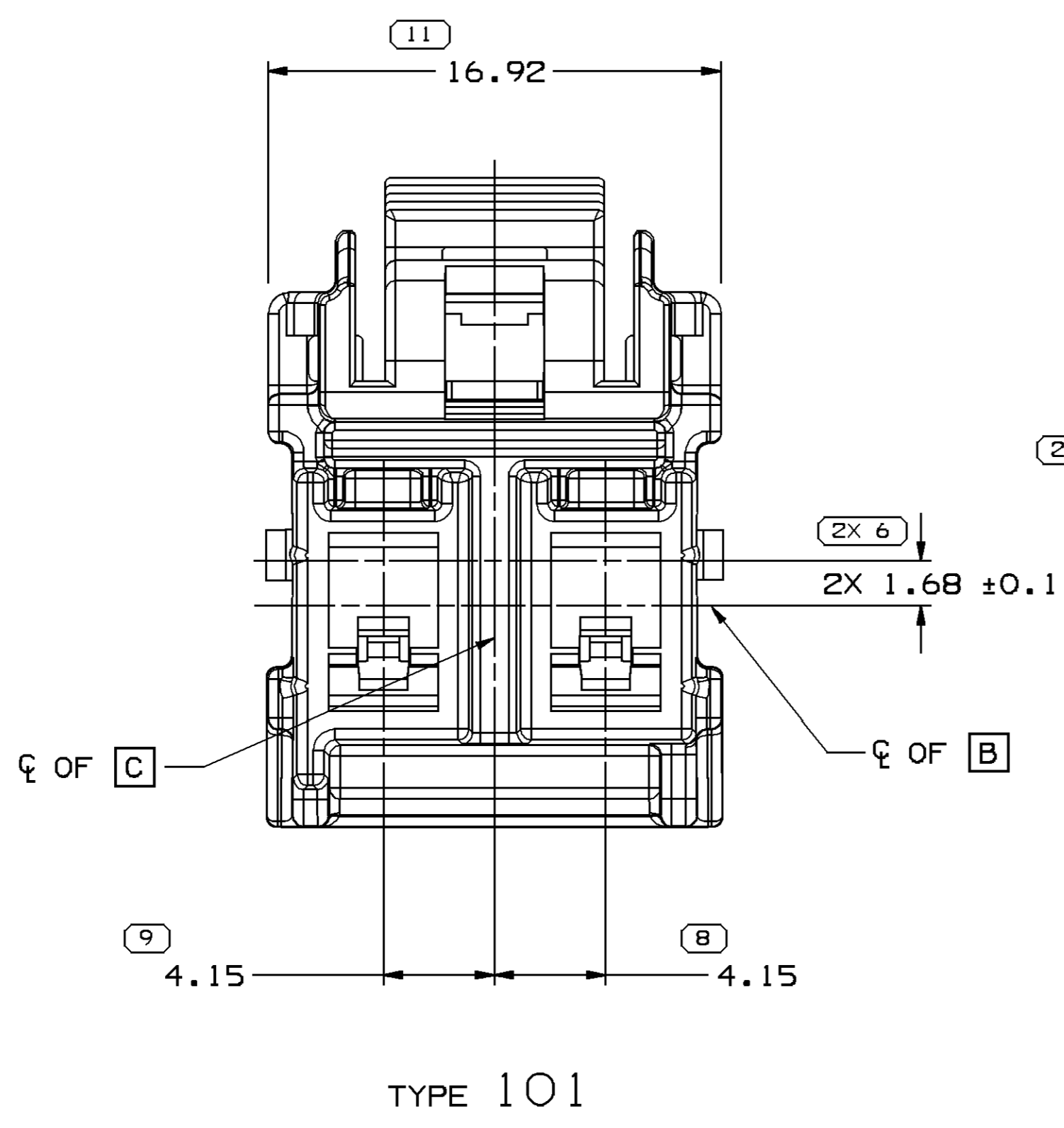
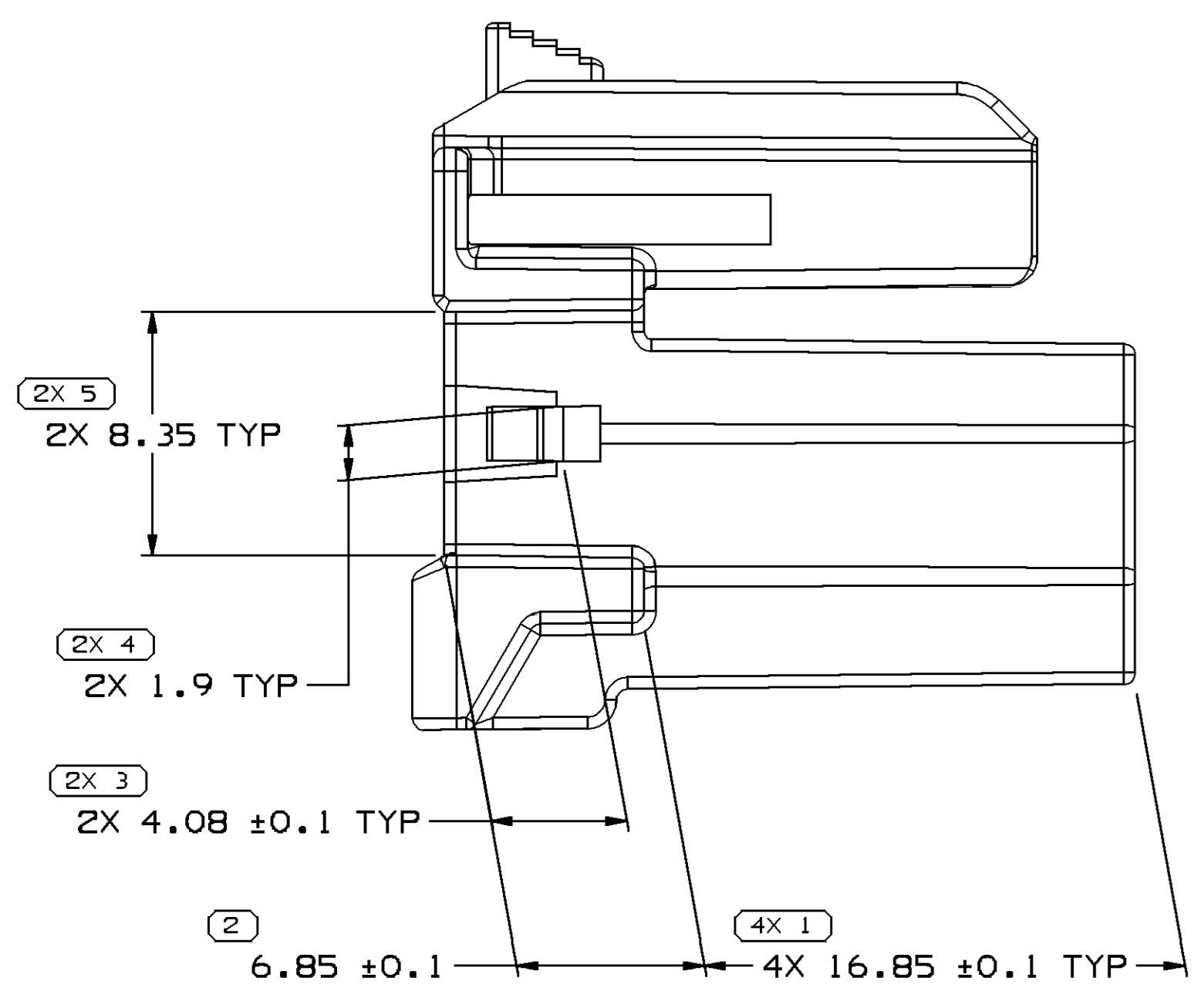
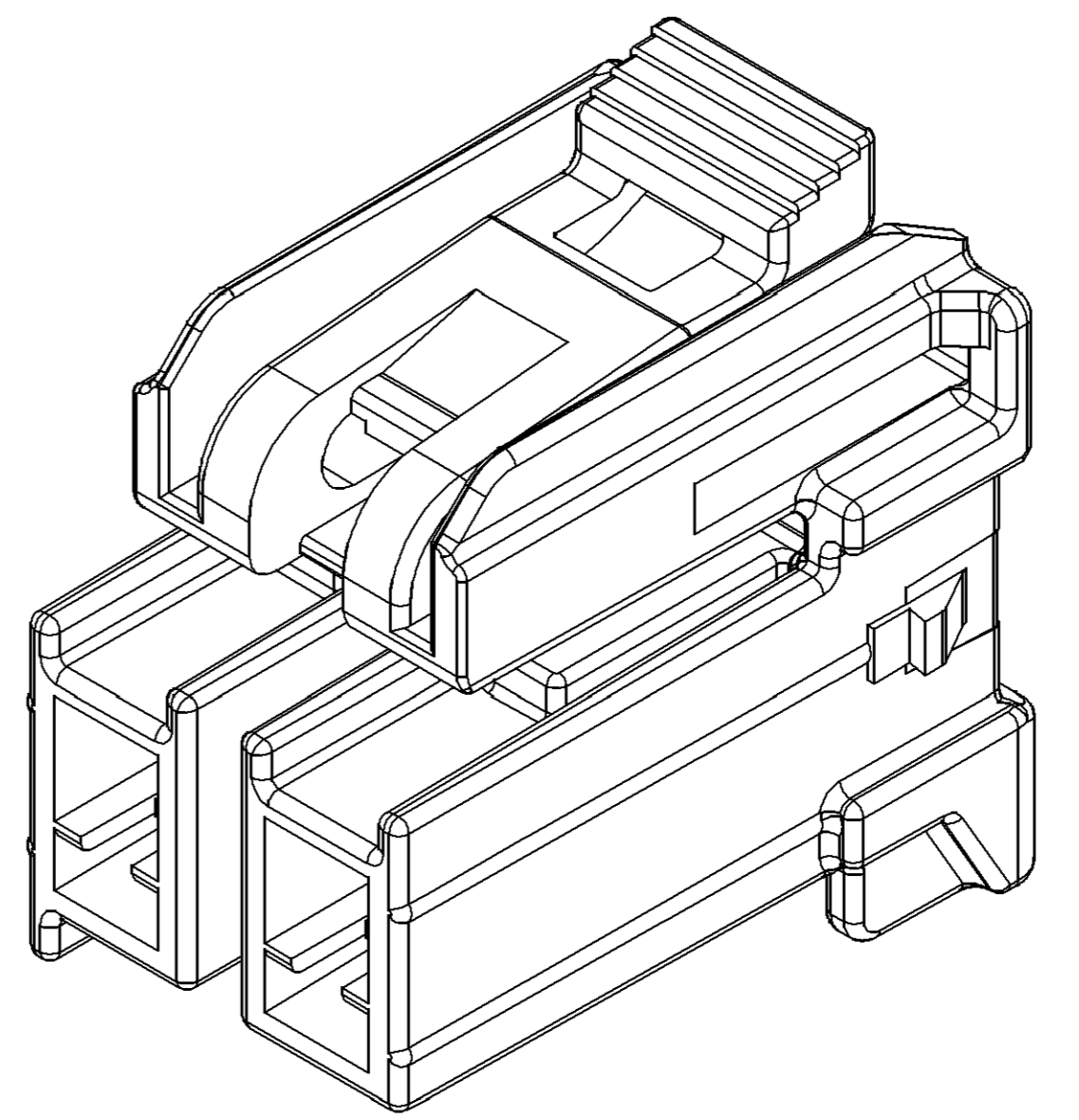


SYMBOL DEFINITION			
A DIMENSION WITHOUT AN INSPECTION REPORT SYMBOL DOES NOT REQUIRE INSPECTION. IT MAY BE CONTROLLED ON THE INDIVIDUAL COMPONENT DRAWING.	TOTAL NO OF INSPECTIONS REQUIRED	49	
	LAST NO. USED	33	

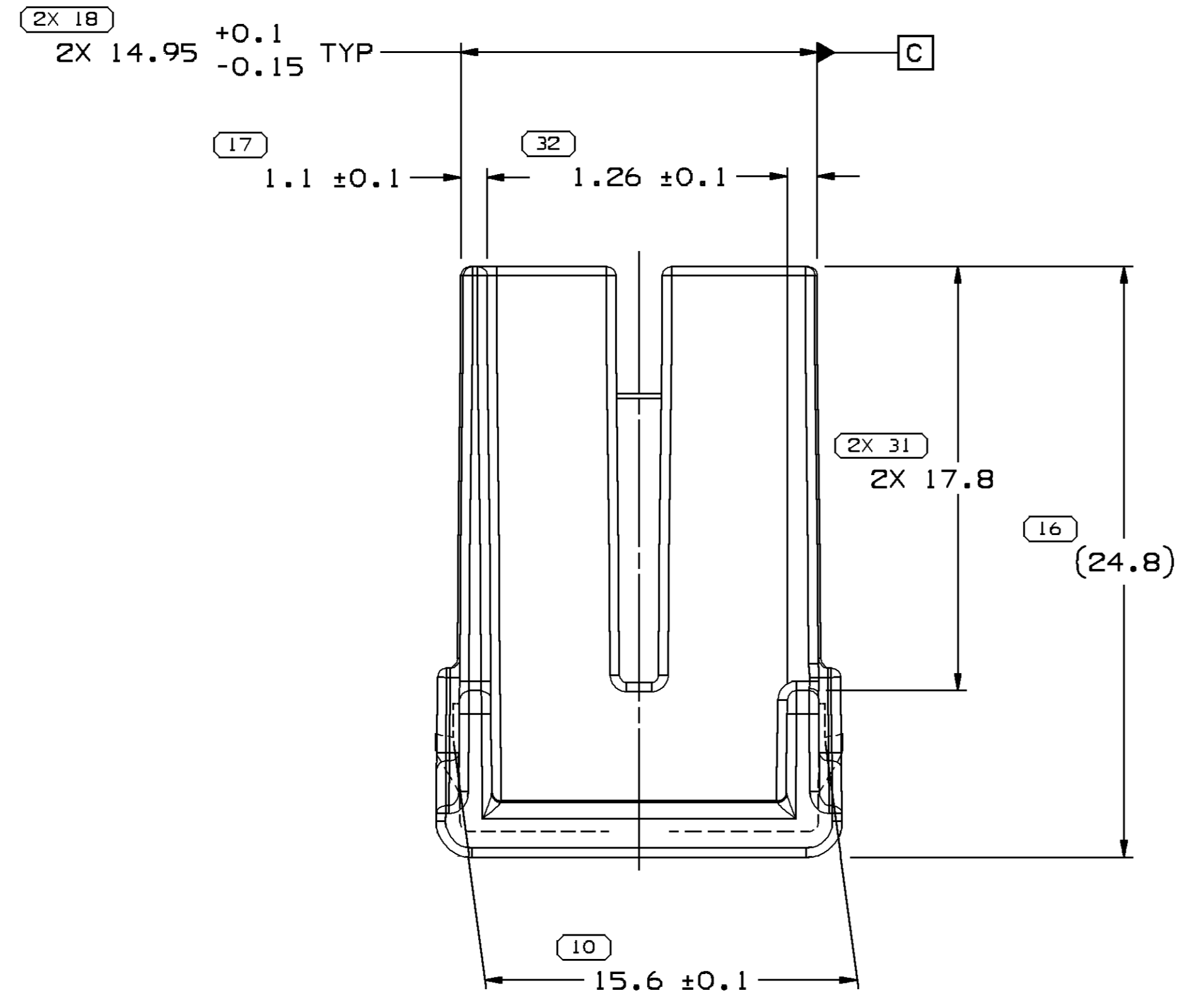
MISSING SYMBOLS		DWG STATUS		ZONE		REVISION HISTORY		AUTH	DR	AP/VD	AP/VD
DATE	STG	REV	N/P	CHG							
190C05	R	01	-	-			ALL PARTS - RELEASED	273168	RTV	JVM	MJD
22M06	R	02	-	-			ALL PARTS - ADDED RIB; REVISED MODELS 13527997 TO MATCH PE156026 AND 13527998 TO MATCH PE156027	280468	RH	RH	MJD
18A006	R	03	-	-			REVISED	283739	JS	JS	MJD
14SE06	R	04	-	-			ALL PARTS - ADDED "OR EQUIVALENT" TO MATING TPA REQUIRED; REVISED NOTES 5 & 6	284633	RH	RH	MJD
01N006	R	05	-	-			ALL PARTS - REVISED MATERIAL SAVERS TO MAKE PRINT MATCH PART	286473	RH	RH	MJD
17N006	R	06	-	-			ALL PARTS - RELAXED TOLERANCE	286937	MM	MM	MJD
06DE06	R	07	-	-			ALL PARTS - 2X 14.95 +0.1/-0.15 TYP WAS 2X 14.95 ± 0.1 TYP	287536	MM	MM	MJD
23MR07	R	08	-	-			ALL PARTS - UPDATED PDM ATTRIBUTES	400920	RMG	FRG	061



TYPE 102  
SAME AS TYPE 101  
EXCEPT AS SHOWN



OPERATOR PUSH SURFACE. NO GATES, PARTING LINES, MOLD MISMATCH, LETTERS RECESSED ETC.



- NOTES
1. UNLESS OTHERWISE SPECIFIED AND/OR INDICATED: DIMENSIONS ARE TO FACE OF VIEW SHOWN AND AUTOMATICALLY ROUNDED BY COMPUTER FOR INSPECTION (SEE MATH MODEL FOR PRECISE DIMENSIONS). FOR ALL OTHER DIMENSIONS NOT SHOWN BUT REQUIRED FOR TOOL BUILD, SEE MATH MODEL FOR PRECISE TOOL PATH DATA.
  2. MATERIAL RECYCLING CODE PER ISO 11469. (2.3)X(0.1) CHARACTERS AS SHOWN TO BE LOCATED ON ANY EXTERIOR SURFACE. OPTIONAL CONSTRUCTION TO BE NO MATERIAL RECYCLING CODE.
  3. THIS PART ACCEPTS THE FOLLOWING COMPONENTS OR EQUIVALENT: CONNECTOR POSITION ASSURANCE LOCK 13528000 TERMINAL 15324339 FOR POWER CIRCUITS TERMINAL 12110843
  4. (1.44)X(0.05) DELPHI CORPORATE BRAND TO BE LOCATED ON ANY EXTERIOR SURFACE, PREFERABLY VISIBLE AT FINAL ASSEMBLY. OPTIONAL CONSTRUCTION FOR EXISTING TOOLING MAY BE "PED".
  5. MAXIMUM CABLE O.D 3.0 MM
  6. MAXIMUM INSULATION CRIMP HEIGHT 3.25 MM AND MAXIMUM INSULATION CRIMP WIDTH 4.0 MM.
  7. FOR MATING CONFIGURATION REQUIREMENTS SEE PART NUMBER 13527995.

PART NO	REV	N/P	STATUS	MATERIAL SPECIFICATION AND COLOR	TYPE	VOLUME	MATING TPA REQUIRED OR EQUIVALENT
13527998	03	AE		M5643003 PA66+PP GF 38 GRA	102	2,943	13534940
13527997	03	AE		M5643002 PA66+PP GF 38 BLK	101	2,943	13527999

DIMENSIONAL RANGE (MM)	TOLERANCE	SHORT ET
FROM > 0	> 30	> 100
> 30	> 70	> 150
> 70	> 100	> 200
> 100	> 150	> 250
> 150	> 200	> 300
> 200	> 250	> 300
> 250	> 300	> 400

PART DRAWING	
DRG TYPE	PART DRAWING
STYLE	SEE CHART
VOLUME (1/4)	DISTR CODE
	D
UNLESS OTHERWISE SPECIFIED	
THIS DOCUMENT IS IN ACCORDANCE WITH ASME Y14.5M-1994	
AS MODIFIED BY THE M. S. S. DIMENSIONAL TOLERANCE TABLE	
TOLERANCE UNLESS OTHERWISE SPECIFIED:	
FRAMES	± 0.1
HOLES	± 0.1
OTHER FEATURES	± 0.1
ALL DIMENSIONS ARE IN MILLIMETERS	
THIRD ANGLE PROJECTION	
DO NOT SCALE	
USE MATH DATA	

**DELPHI**  
DELPHI PACKARD ELECTRIC SYSTEMS  
WARREN, OH

DR	DATE
APV01 R. TOVAR VALDEZ	190C05
APV02 J. VILLAMIL	210C05
APV03 M. J. DEMONICA	250C05
APV04	
APV05	

SUBSTANCES OF CONCERN AND RECYCLED CONTENT PER DELPHI 10949001

MATERIAL SEE CHART

DRAWING NAME: TAXI CONN M/P 280

DRAWING NUMBER: 13527996

SCALE: 5:1

FRAME NO: 1 OF 1

SHEET NO: 1 OF 1

REV: N/P

DATE: 18-Apr-07 Time: 12:18