



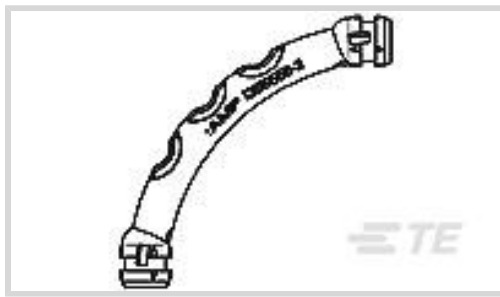
**MOST**

TE Internal #: 1355555-2

Other Automotive Connector Accessories, Strain Relief, PP, Violet,  
-40 – 85 °C [-40 – 185 °F], MOST

[View on TE.com >](#)

Connectors > Automotive Connectors > Connector Accessories > Other Connector Accessories



Automotive Connector Accessory Type: **Strain Relief**

Primary Product Material: **PP**

Primary Product Color: **Violet**

Operating Temperature Range: **-40 – 85 °C [-40 – 185 °F]**

**Features**

**Product Type Features**

Automotive Connector Accessory Type	Strain Relief
-------------------------------------	---------------

**Body Features**

Primary Product Material	PP
Primary Product Color	Violet

**Usage Conditions**

Operating Temperature Range	-40 – 85 °C[-40 – 185 °F]
-----------------------------	---------------------------

**Industry Standards**

UL Flammability Rating	None
------------------------	------

**Packaging Features**

Packaging Quantity	5000
Packaging Method	Package

**Other**

Serviceable	No
-------------	----

**Product Compliance**

[For compliance documentation, visit the product page on TE.com>](#)

EU RoHS Directive 2011/65/EU	Compliant
EU ELV Directive 2000/53/EC	Compliant
China RoHS 2 Directive MIIT Order No 32, 2016	No Restricted Materials Above Threshold

EU REACH Regulation (EC) No. 1907/2006

Current ECHA Candidate List: JAN 2022 (223)

Candidate List Declared Against: JAN 2022 (223)

Does not contain REACH SVHC

Halogen Content

Low Halogen - Br, Cl, F, I < 900 ppm per homogenous material. Also BFR/CFR/PVC Free

Solder Process Capability

Not applicable for solder process capability

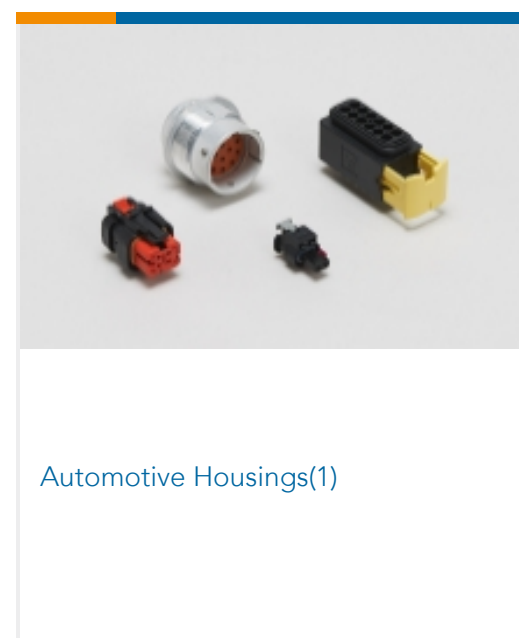
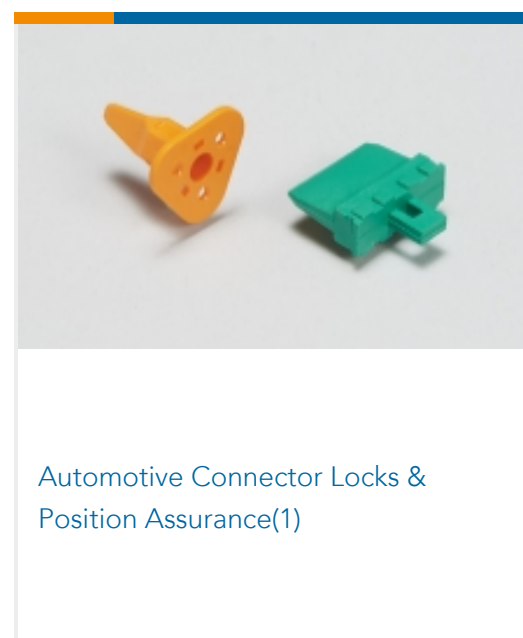
Product Compliance Disclaimer

This information is provided based on reasonable inquiry of our suppliers and represents our current actual knowledge based on the information they provided. This information is subject to change. The part numbers that TE has identified as EU RoHS compliant have a maximum concentration of 0.1% by weight in homogenous materials for lead, hexavalent chromium, mercury, PBB, PBDE, DBP, BBP, DEHP, DIBP, and 0.01% for cadmium, or qualify for an exemption to these limits as defined in the Annexes of Directive 2011/65/EU (RoHS2). Finished electrical and electronic equipment products will be CE marked as required by Directive 2011/65/EU. Components may not be CE marked. Additionally, the part numbers that TE has identified as EU ELV compliant have a maximum concentration of 0.1% by weight in homogenous materials for lead, hexavalent chromium, and mercury, and 0.01% for cadmium, or qualify for an exemption to these limits as defined in the Annexes of Directive 2000/53/EC (ELV). Regarding the REACH Regulation, the information TE provides on SVHC in articles for this part number is based on the latest European Chemicals Agency (ECHA) 'Guidance on requirements for substances in articles' posted at this URL: <https://echa.europa.eu/guidance-documents/guidance-on-reach>

## Compatible Parts



## Also in the Series | MOST





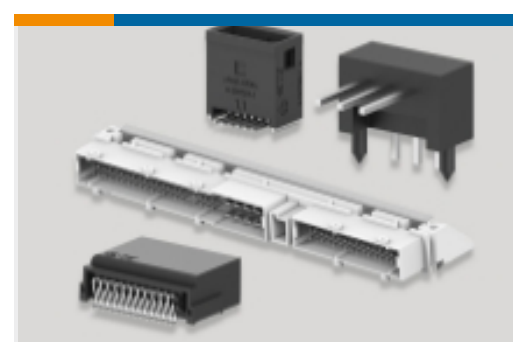
Data Connectivity Housings(3)



Fiber Connector Covers &amp; Caps(1)

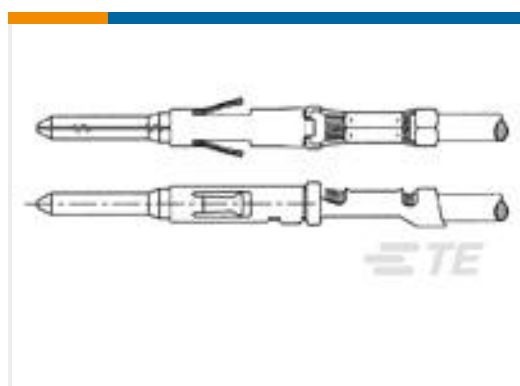
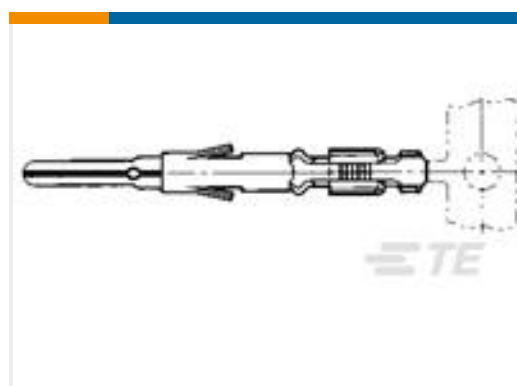


Other Automotive Connector Accessories(1)



PCB Headers &amp; Receptacles(8)

## Customers Also Bought

TE Part #2-6609104-4  
PE0S0DS6B=C1255TE Part #166047-1  
CONTACT, PIN, SZ 20, XI, CRIMP, 26-30TE Part #203816-5  
PIN CONTACT ASSY, STRIP

## Documents

### Product Drawings

#### LWL KNICKSCHUTZ

English

### CAD Files

#### 3D PDF

English

#### Customer View Model

[ENG\\_CVM\\_1355555-2\\_A3.2d\\_dxf.zip](#)

English

#### Customer View Model

[ENG\\_CVM\\_1355555-2\\_A3.3d\\_igs.zip](#)

English

#### Customer View Model

[ENG\\_CVM\\_1355555-2\\_A3.3d\\_stp.zip](#)

English

By downloading the CAD file I accept and agree to the [Terms and Conditions](#) of use.

### Product Specifications

#### Connector with optical contacts (MOST) and electrical contacts

English

#### Application Specification

English