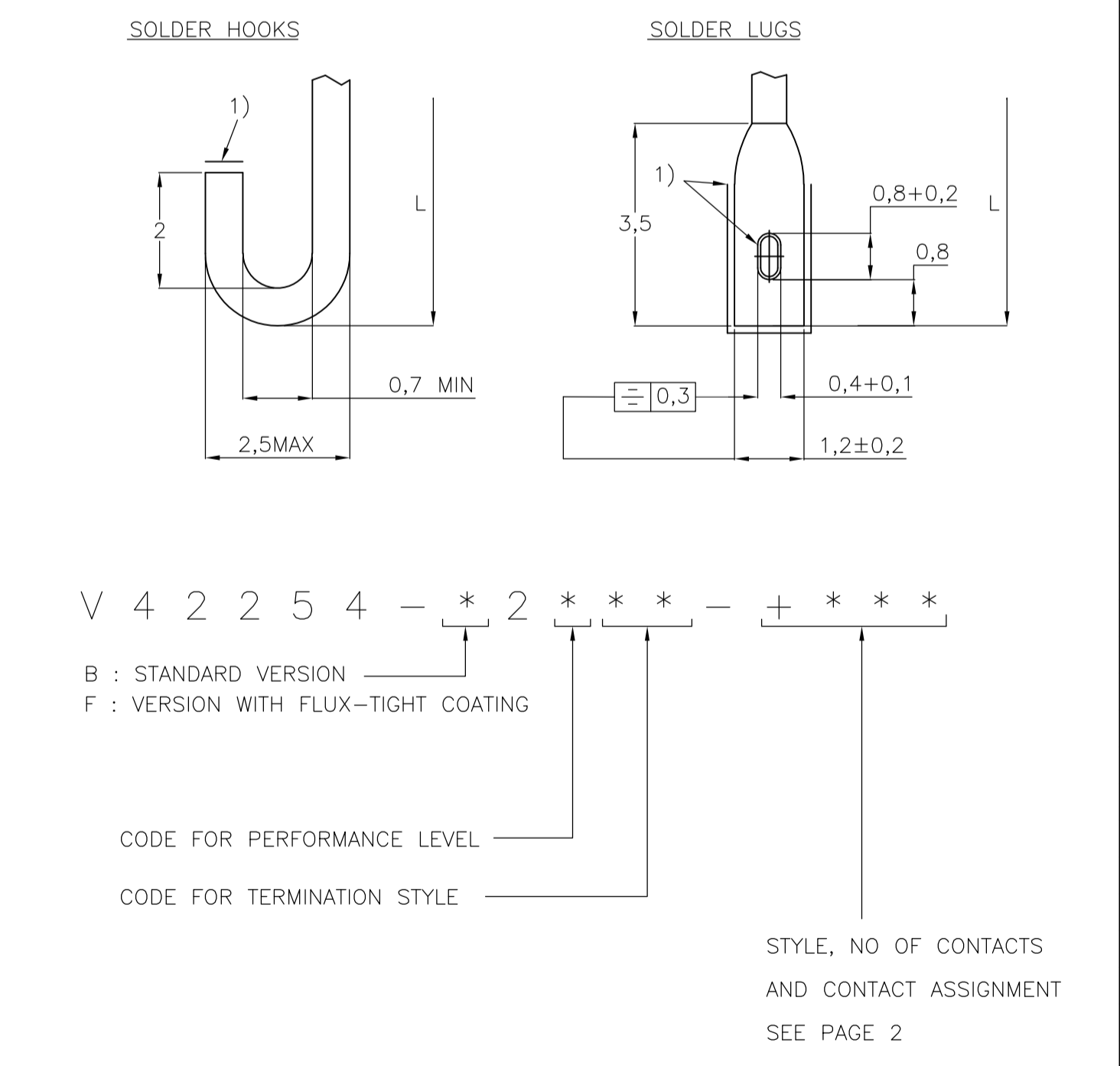
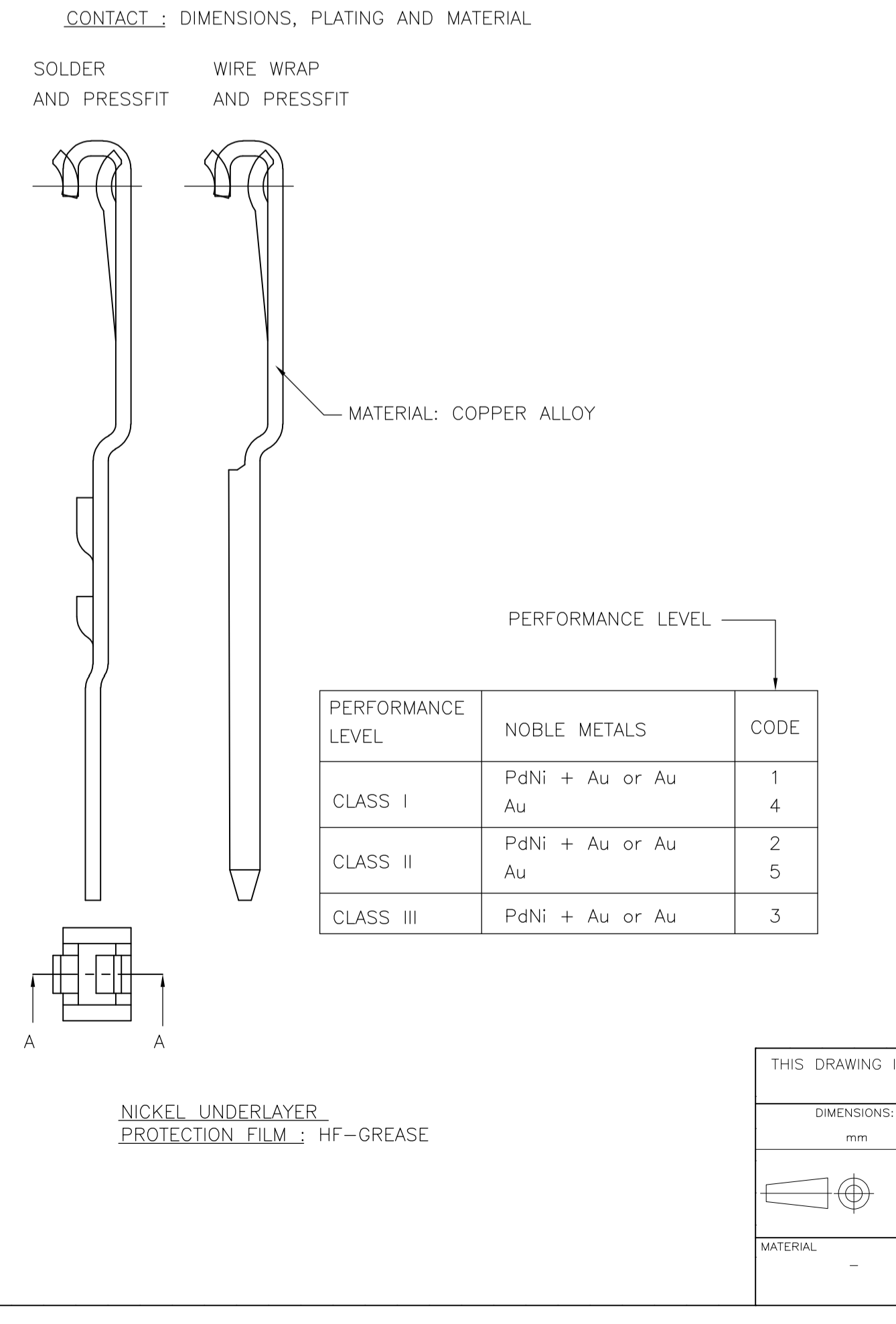
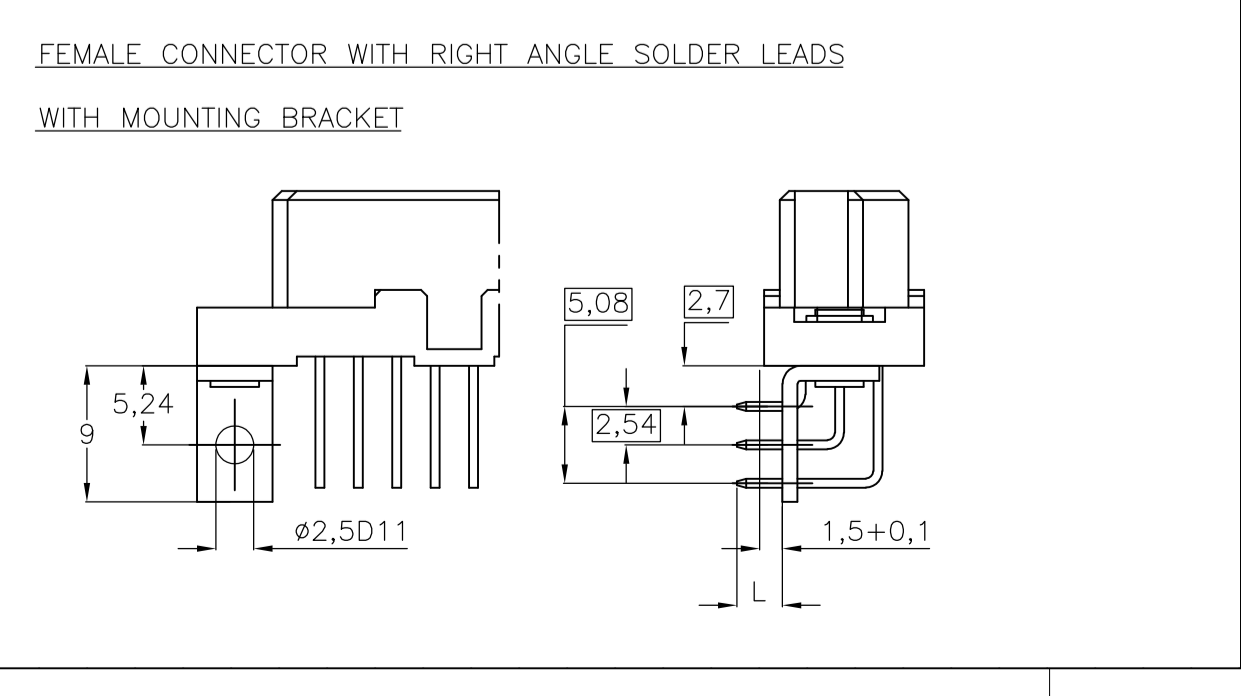
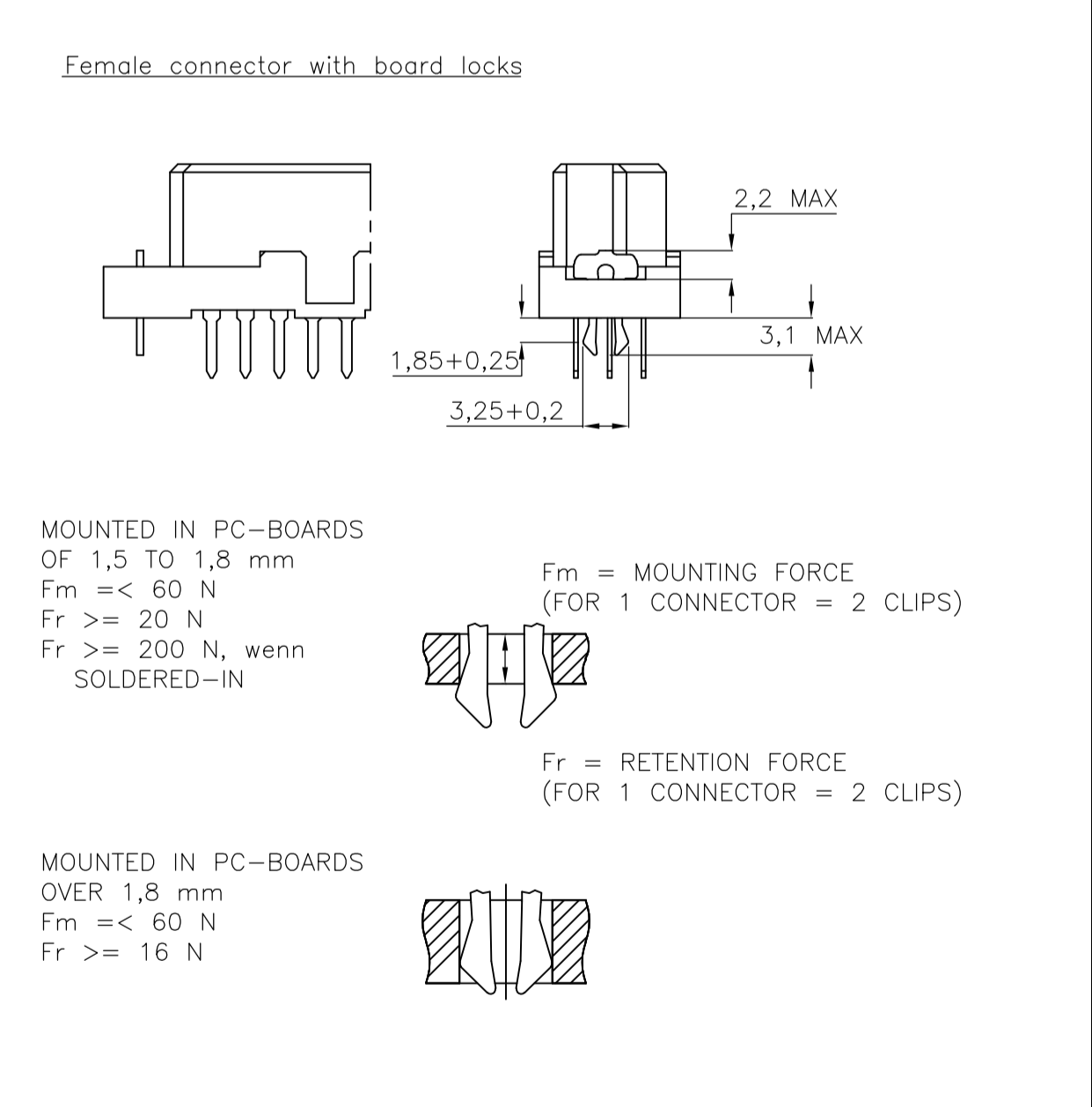
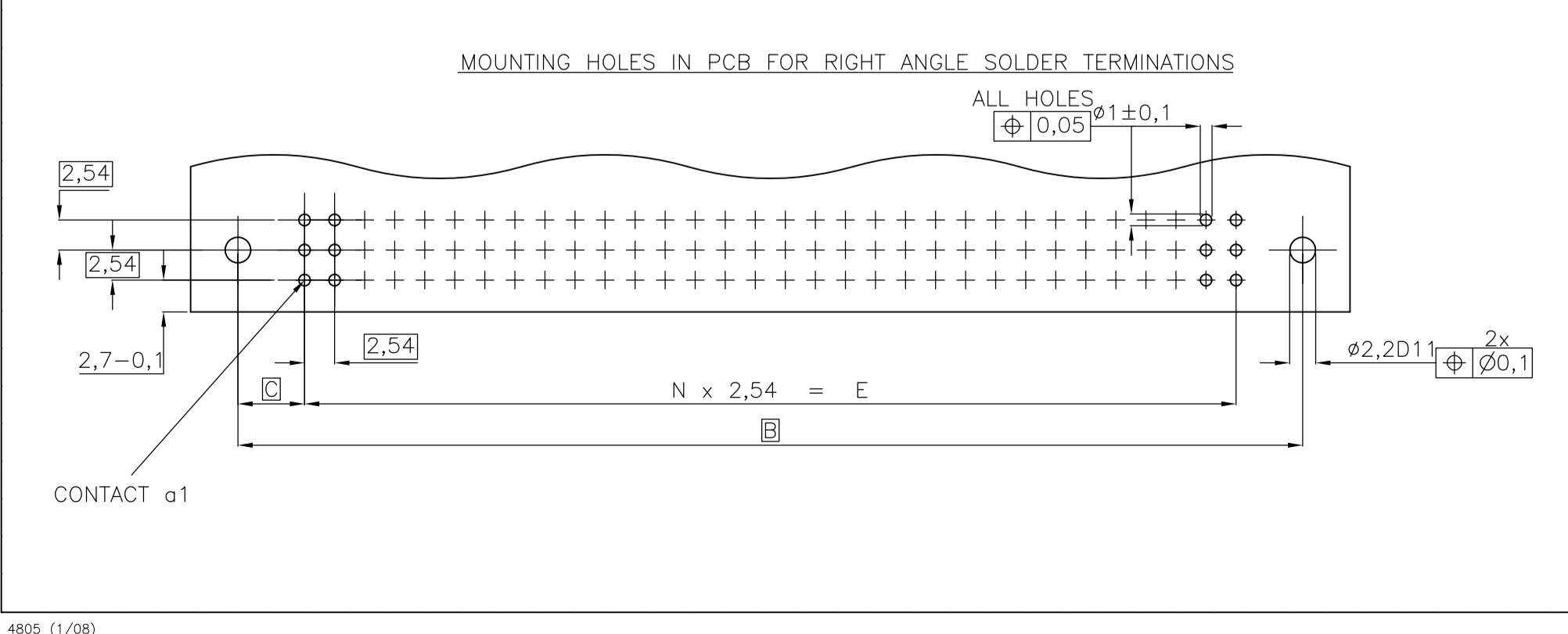
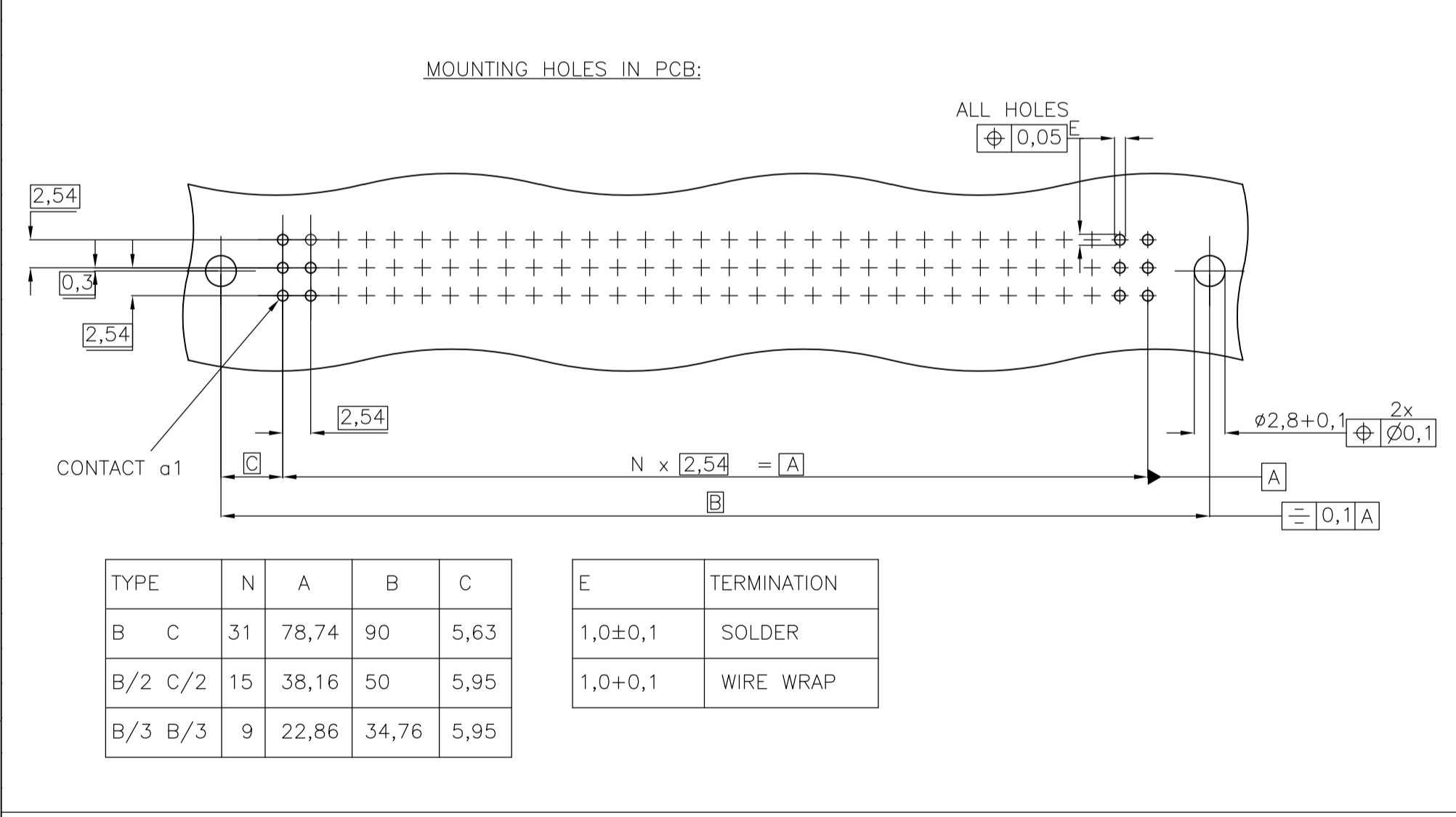


LOC	DIST	REVISIONS			
F	LTR	DESCRIPTION	DATE	OWN	APVD
B5	SR10-0177-03		18-06-03		KV
B6	ECR-08-012253		30-10-08		AEG/MKO
B7	ECR-08-012252		18-03-09		AEG/MKO

SOLDER TERMINATIONS		TERMINATION STYLES		L	CODE
				7,3±0,3	04
				13±0,5	40
				5,5±0,3 10±0,5	30
				5,5±0,3 10-0,5	35
				1,55-0,4	00
				3-0,4	10
				13±0,5 17±0,5 4±0,5 13±0,5 17±0,5 6±0,5 6±0,5	60 61 63 66 67 69 70



THIS DRAWING IS A CONTROLLED DOCUMENT.		DIN CUVIELIER 14FEB99	Tyco Electronics Corporation 's-Hertogenbosch, Nederland
DIMENSIONS: mm		TOLERANCES UNLESS OTHERWISE SPECIFIED:	
MATERIAL		FINISH	RESTRICTED TO
CUSTOMER DRAWING		SCALE NTS	SHEET 1 of 2 REV B7

