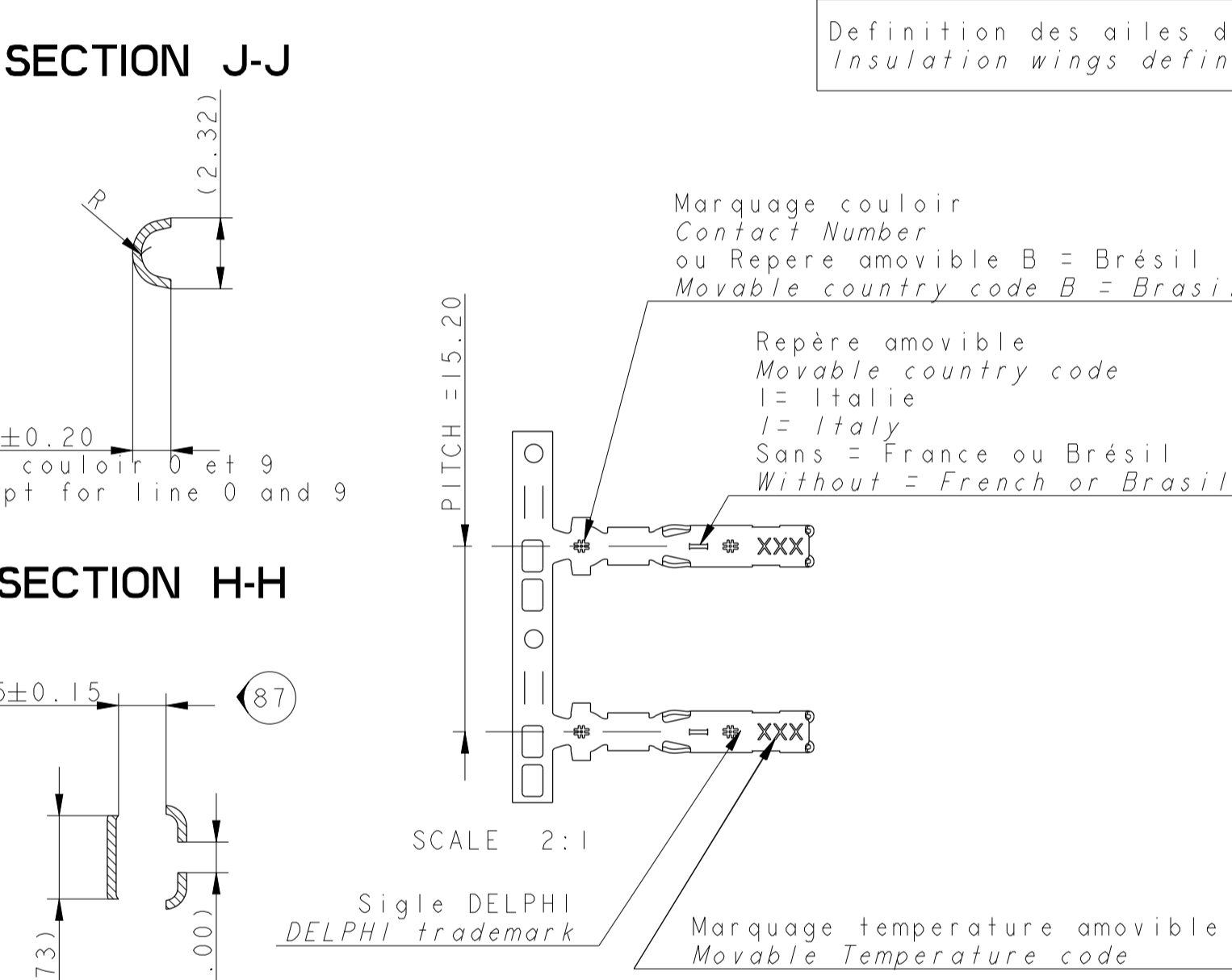


- NOTES:
- LE CONTACT DOIT PASSER A TRAVERS LE GROMMET SANS DECHIRURES POUR ASSURER L'ETANCHEITE PAS DE BORDS COUPANTS. THE TERMINAL MUST PASS THROUGH THE GROMMET WITHOUT TEARING TO ENSURE THE SEALING. NO SHARP EDGES ALLOWED. (16)
 - LES CONTACTS PRE-ETAME SERONT ENDUITS DE L'HUILE DE COUPE SOUS UNE QUANTITE DE 2MG/CT MINI EN SORTIE DE PRESSE ET 0.2 MG/CT AU BOUT DE 7 JOURS. LES CONTACTS SERONT EMOBINES AVEC CETTE HUILE. THE TERMINALS PRE-TINNED WILL BE COVER WITH CUTTING OIL UNDER A QUANTITY OF 2MG/CT MINI IN PRESS OUTPUT AND 0.2 MG/CT AT THE END OF 7 DAYS. THE TERMINALS WILL BE FORWARDED WITH THIS OIL. (24)
 - PRESSION DE CONTACT = 2.5N MINI/3.5 MAXI PRESSION DE CONTACT POUR VERSION 150=3.5N MINI/4.5 MAXI NORMAL FORCE=2.5N MINI/3.5 MAXI NORMAL FORCE FOR VERSION 150=3.5N MINI/4.5 MAXI (2)
 - AUCUNE CRIQUE ACCEPTEE SUR TOUT LE CONTACT NO CRACK ALLOWED ON TOTAL TERMINAL (17)
 - FLECHE DE LA BANDE PORTEUSE MAXI = 25mm/m CAMBER OF CARRIER STRIP MAX = 25mm/m (20)
 - () COTES NON TOLERANCEES , DONNEES A TITRE INDICATIF CHIFFRE ENTOURE D'UN OBLONG = IFF () NO TOLERANCED DIMENSIONS , GIVEN FOR INFORMATION NUMBER WITH A ELONGATED = INTERNAL FIT FUNCTION.
 - FORME ACCEPTEE JUSQU'A GENERALISATION BANDE PORTEUSE LARGEUR 3.30mm ACCEPTED SHAPE TO 3.30mm CARRIER STRIP WIDTH GENERALISATION

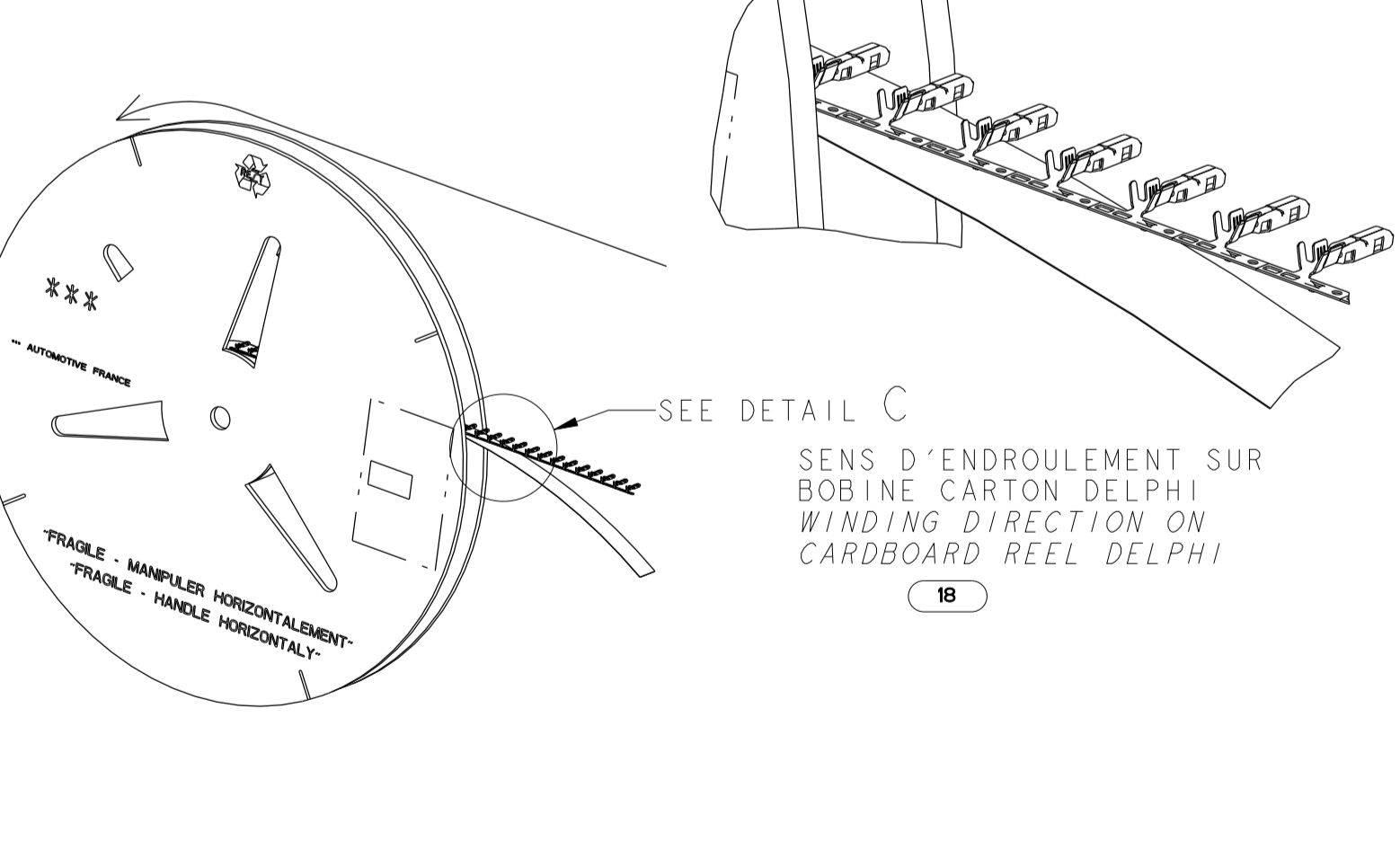
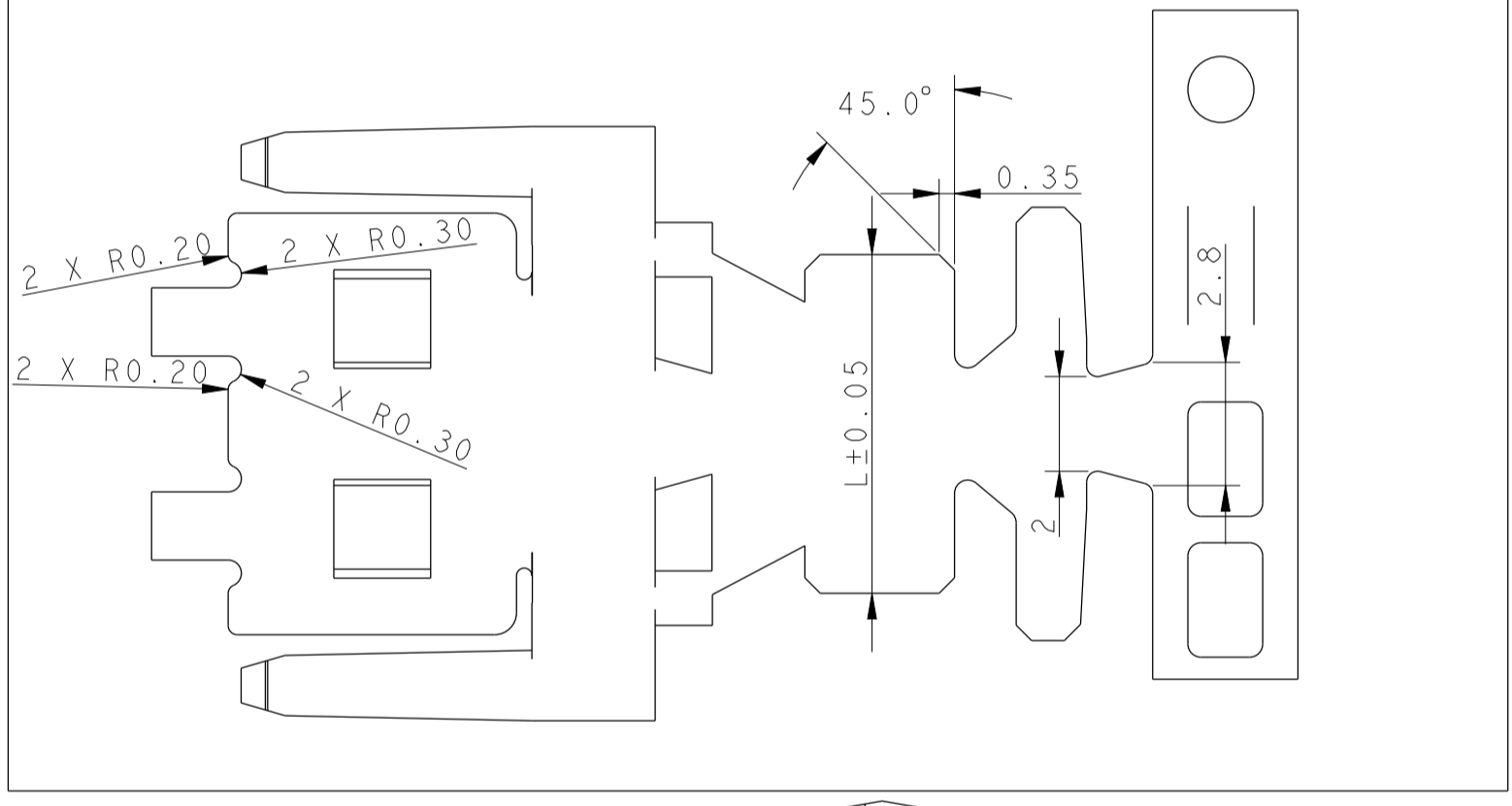
NOMBRE DE DIMENSIONS NUMEROTEES QUANTITY OF NUMBERING DIMENSIONS		63
Numero non utilise Numbering not used	10-20:30-40:54-60:75-80:88-90:96-100	
Dernier numero utilise last number used	111	

Etat State	Frettage	Références / Part Number								Material Class Mark		
		MVL	DELPHI	MVL	DELPHI	MVL	DELPHI	MVL	DELPHI			
Pré-étamé Pre-tinned Sn 1 to 3 µm	Recouvrement Overlapping	211CC2S0150P	TBD	211CC2S1150P	I3777390	211CC2S4150P	TBD	211CC2S2150P	I3777391	FM412/449	85°	no
	Recouvrement Overlapping	211CC2S0160P	I3625048	211CC2S1160P	I0863984	211CC2S4160P	I0865182	211CC2S2160P	I0863985	FM411/448	125°	125
	Juxtaposé Side by Side			F562500	TBD							
Pré-spoté Pre-spotted 1,27µm int	JUF / SWS	211CC2S0161P	I3761649	211CC2S1161P	I3761154	211CC2S4161P	I3761651	211CC2S2161P	I3761648			
	Recouvrement Overlapping	211CC2S0190P	TBD	211CC2S1190P	I3602481	211CC2S4190P	I3350712	211CC2S2190P	I3351808	FM450	125°	150
	Recouvrement Overlapping	211CC2S0460P	I3764603	211CC2S1460P	I3764604	211CC2S4460P	I33500701	211CC2S2460P	I3764602	211C436 / S432010	125°	125
JUF / SWS	211CC2S0461P	TBD	211CC2S1461P	TBD	211CC2S4461P		211CC2S2461P					
Gamme / Range		0		1		4		2		(19)		
Section / Gauge		0,22		0,35 to 0,70		0,75 to 1,30		1,35 to 2,00				
Isolant Insulation		1,15 to 1,35		1,25 to 2,10		1,60 to 2,60		2,10 to 2,80				
A		1,53		2,6		2,88		3,1				
B		1,87		2,2		2,86		3,5				
C		0,33		0,75		0,75		0,75				
L AVANT CAMBRAGE DES AILES ET AVANT FRAPPE DES CHANFREINS L AT THE FLAT STEP BEFORE BENDING OF BARREL WINGS AND BEFORE STAMPING CHAMFER		3,6		5,17		6,4		7,82				

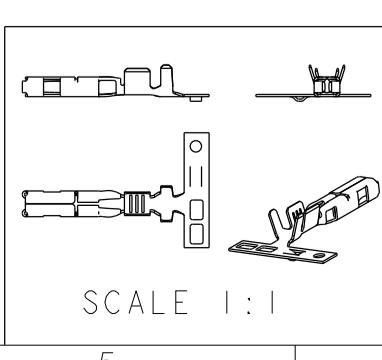
Definition des ailes de frettage voir page 2
Insulation wings definition see page 2



Dimensions pour information avant cambrage et frappe des chanfreins
Dimensions for information before bending and chamfer stamp

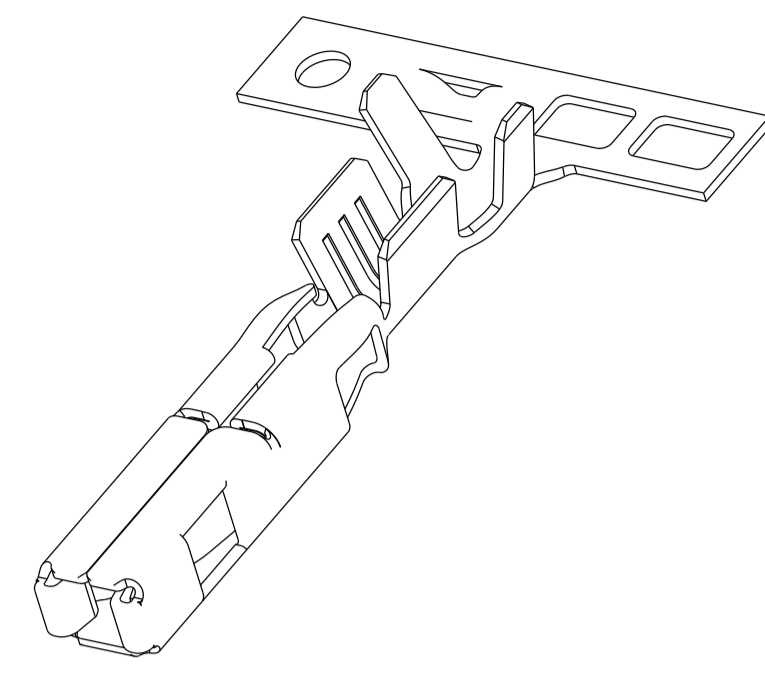


13-01079		MODIFY CARRIER STRIP HOLE		ADD DELPHI P/N	
ECN-NO. NUMERO ECN	POSITION	CHANGE DESCRIPTION MODIFICATION			
PROJET SPEC. SPECIFIC PRODUCT	PACKAGING SPEC. SPECIFIC PACKAGING	APPLICATION SPEC. SPECIFIC APPLICATION	COPYRIGHT DELPHI CORPORATION AND/OR ITS AFFILIATES. ALL RIGHTS RESERVED. REVISED		
TOLERANCES TOLERANCES	±0.1 ±0*	MATERIEL MATERIAL	SEE TABLE	ETAT DE SURFACE STATE OF SURFACE	
CONTRIBUTEUR CONTRIBUTOR	DELPHI	COLOR COULEUR		DELPHI PACKARD ELECTRICAL/ELECTRONIC ARCHITECTURE	pro / eng.
DO NOT MEASURE DRAWING NE PAS MESURER LE DESSIN		TOOL NO. OUTIL		ISO PROJECTION PROJECTION ISO	REV. 1
DATE	2000-09-22	DESIGNATION	15 x 08 FEMALE TERMINAL	DRAWING NUMBER REF. PLAN	211CC2SXX50-XX60-XX61-XX90
CREATED BY	HERNANDEZ S.	PROJECT	SICMA 3	STATE DEPART.	FRANCE
MODIFIED BY	20151018	PROJECT	SICMA 3	ISO PROJECTION PROJECTION ISO	FRANCE
CREATED BY	20151018	PROJECT	SICMA 3	ISO PROJECTION PROJECTION ISO	FRANCE
MODIFIED BY	20151018	PROJECT	SICMA 3	ISO PROJECTION PROJECTION ISO	FRANCE
CREATED BY	20151018	PROJECT	SICMA 3	ISO PROJECTION PROJECTION ISO	FRANCE
MODIFIED BY	20151018	PROJECT	SICMA 3	ISO PROJECTION PROJECTION ISO	FRANCE

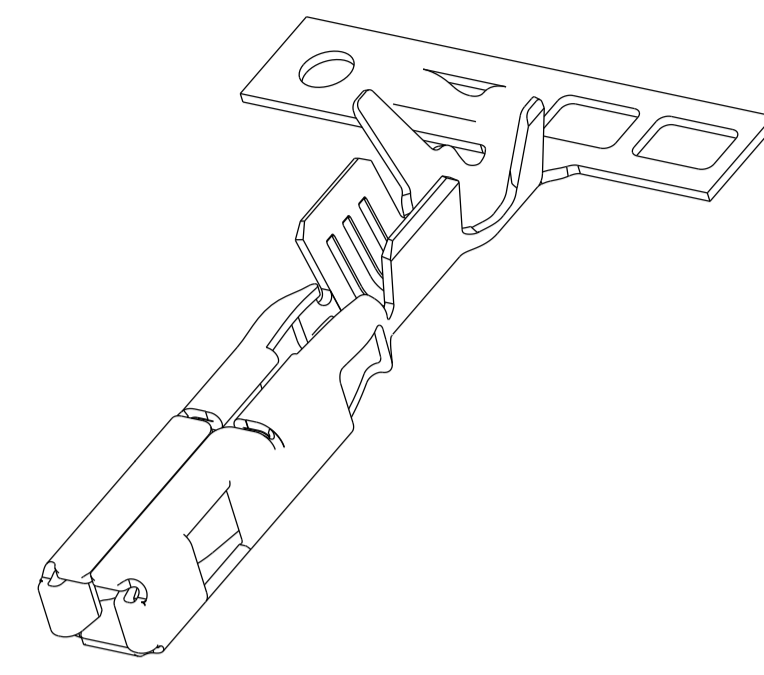


EVOLUTION SICMA 3 (PLUS)

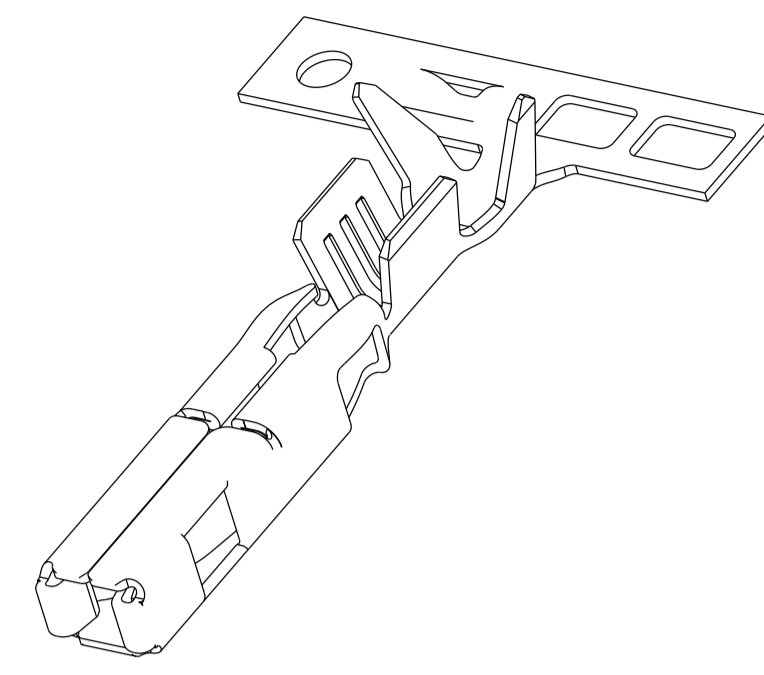
FRETTAGE PAR RECOUVREMENT
 INSULATION BY OVERLAPING



FRETTAGE JUXTAPOSE
 SIDE BY SIDE INSULATION

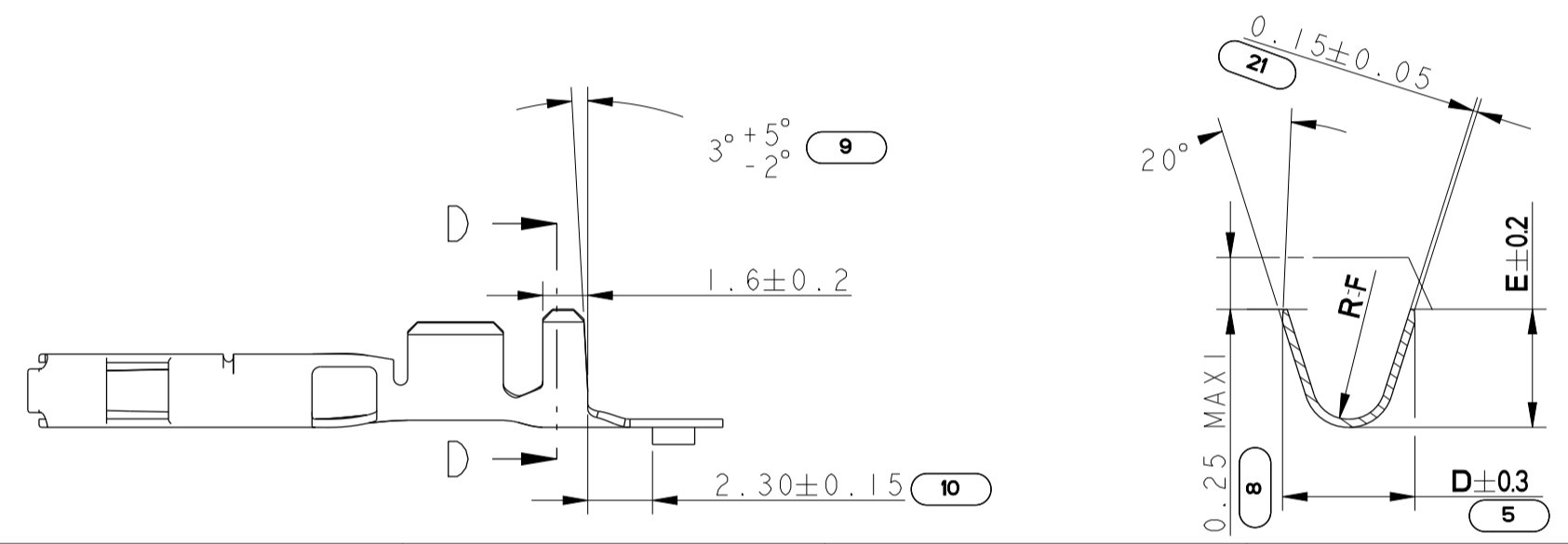


FRETTAGE AVEC JUF
 INSULATION WITH SWS

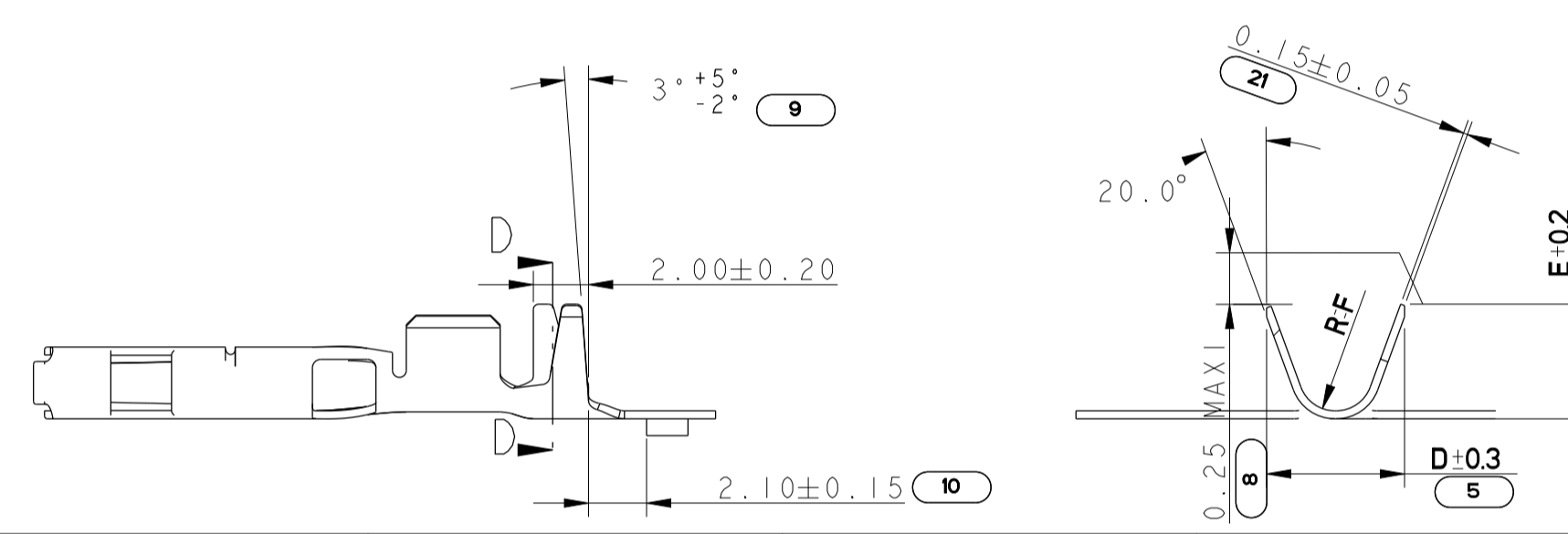


REFERENCES PART-NUMBERS	FRETTE PAR RECOUVREMENT				PAS OUTILLE NOT TOOLED	FRETTE JUXTAPOSE				PAS OUTILLE NOT TOOLED	PAS OUTILLE NOT TOOLED	FRETTE AVEC JUF			
	211 CC 2 S 0150P	211 CC 2 S 1150P	211 CC 2 S 4150P	211 CC 2 S 2150P		F562500	PAS OUTILLE NOT TOOLED	PAS OUTILLE NOT TOOLED	211 CC 2 S 0161P			211 CC 2 S 1161P	211 CC 2 S 4161P	211 CC 2 S 2161P	
	211 CC 2 S 0160P	211 CC 2 S 1160P	211 CC 2 S 4160P	211 CC 2 S 2160P		F962500			211 CC 2 S 0461P			211 CC 2 S 1461P	211 CC 2 S 4461P	211 CC 2 S 2461P	
	211 CC 2 S 0460P	211 CC 2 S 1460P	211 CC 2 S 4460P	211 CC 2 S 2460P											
211 CC 2 S 0190P	211 CC 2 S 1190P	211 CC 2 S 4190P	211 CC 2 S 2190P												
GAMME RANGE	0	1	4	2	0	1	4	2	0	1	4	2			
SECTION GAUGE	0.22	0.35 to 0.50	0.75 to 1.30	1.35 to 2	0.22	0.35 to 0.50	0.75 to 1.30	1.35 to 2	0.22	0.35 to 0.50	0.75 to 1.30	1.35 to 2			
Ø ISOLANT INSULATION Ø	1.15 to 1.35	1.25 to 2.1	1.6 to 2.6	1.8 to 2.7	1.15 to 1.35	1.25 to 2.1	1.6 to 2.6	1.8 to 2.7	1.15 to 1.35	1.25 to 2.1	1.6 to 2.6	1.8 to 2.7			

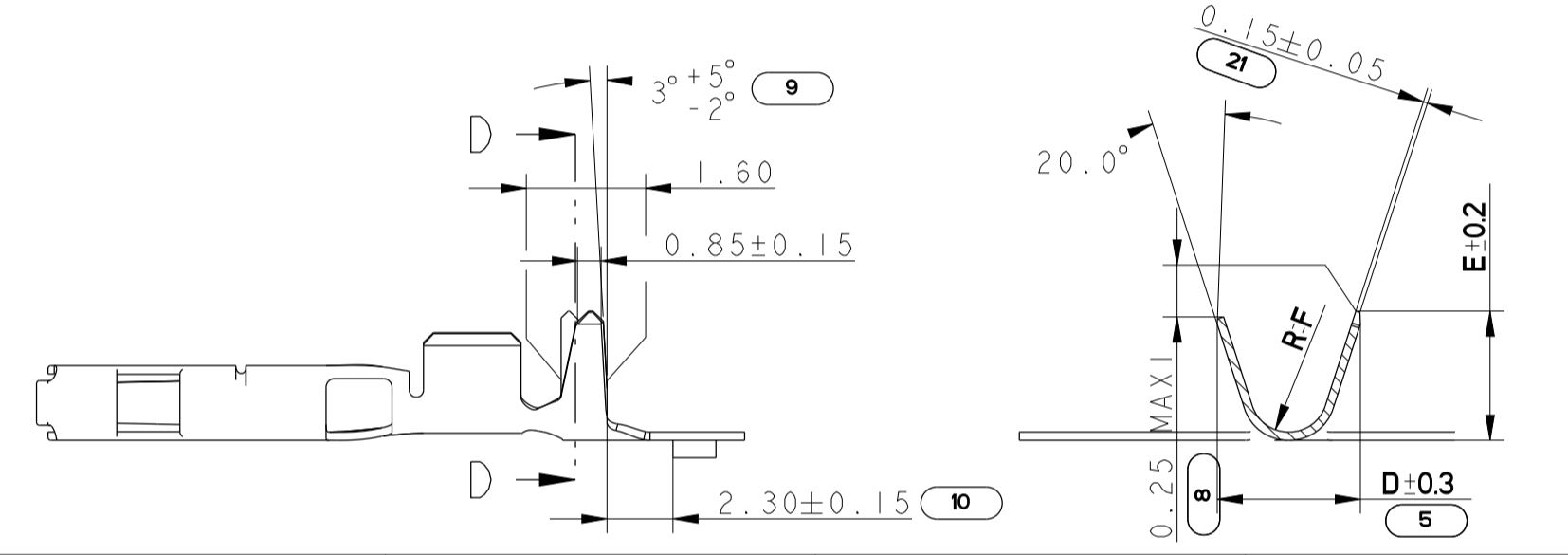
SECTION D-D



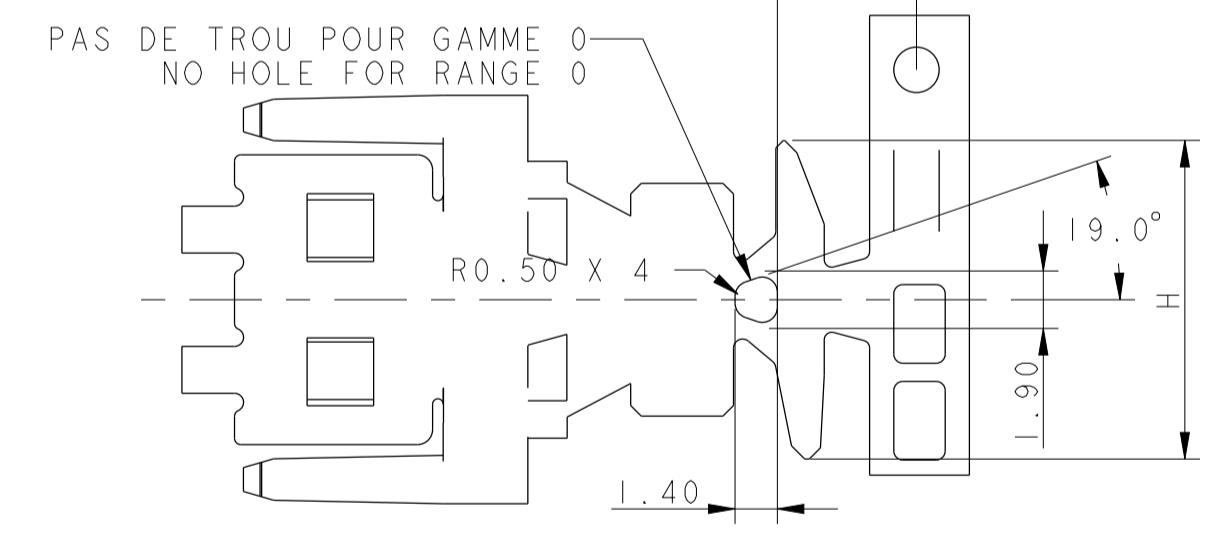
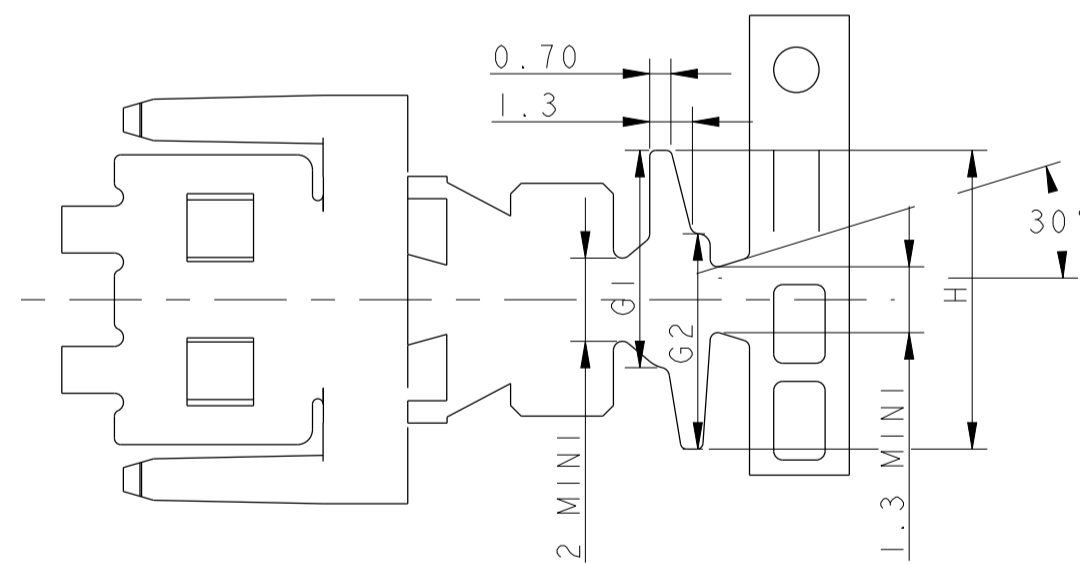
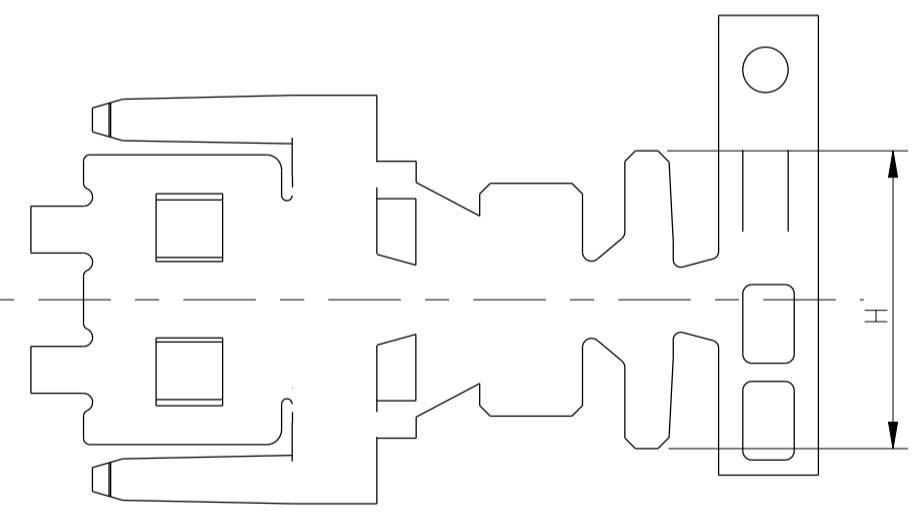
SECTION D-D



SECTION D-D



D	2.87	4.2	4.70	4.70	PAS OUTILLE NOT TOOLED	3.05	PAS OUTILLE NOT TOOLED	PAS OUTILLE NOT TOOLED	4.7	4.7	5	5
E	3.05	3.3	4.20	4.20		3.03			4.15	4.15	4.5	4.5
F	0.68	1.3	1.3	1.3		0.8			1.35	1.35	1.35	1.35



G1	/	/	/	/	PAS OUTILLE NOT TOOLED	4.3	PAS OUTILLE NOT TOOLED	PAS OUTILLE NOT TOOLED	/	/	/	/
G2	/	/	/	/		4.3			/	/	/	/
H	6.59	8.06	9.75	9.80		6.6			9.7	9.7	10.5	10.5

POUR AUTRES COTES OU NOTES : VOIR PAGE 1
 FOR OTHER DIMENSIONS AND NOTE : SEE PAGE 1

13-01079

See Sheet 1

ECN-NO. NUMERO ECH	POSITION	CHANGE DESCRIPTION

PROJECT SPEC: PACKAGING SPEC: APPLICATION SPEC: COPYRIGHT DELPHI CORPORATION AND/OR ITS AFFILIATES. ALL RIGHTS RESERVED. REVISED THIS DRAWING IS THE PROPERTY OF DELPHI CORPORATION AND CONTAINS DELPHI CONFIDENTIAL INFORMATION. THE REPRODUCTION, DISTRIBUTION AND SALE OF THIS DOCUMENT OR ITS CONTENTS WITHOUT EXPRESS AUTHORIZATION OF DELPHI CORPORATION IS PROHIBITED. LE PLAN EST LA PROPRIETE DE DELPHI CORPORATION ET CONTIEN DES INFORMATIONS CONFIDENTIELLES. LA REPRODUCTION, LA DISTRIBUTION ET LA VENTE DE CE DOCUMENT OU DE SES CONTENU SANS LAutorisation Expresse DE DELPHI CORPORATION EST PROHIBEE.

TOLERANCES: ±0.1 ±0.05

DELPHI ELECTRICAL/ELECTRONIC ARCHITECTURE

15 x 08 FEMALE TERMINAL

211CC25XX50-XX60-XX61-XX90

SICMA 3

See Table

