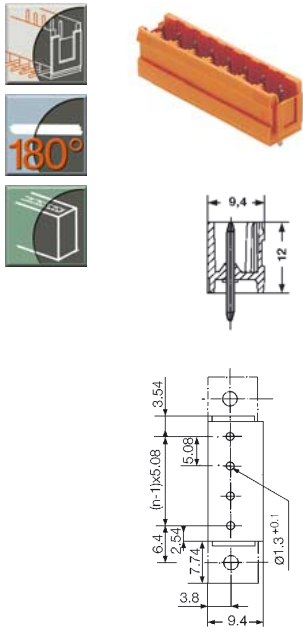




Pin headers SLA 180B



Technical Data		VDE	UL	CSA
Rated voltage	V	250*	300	300
Rated current	A	10	10	10

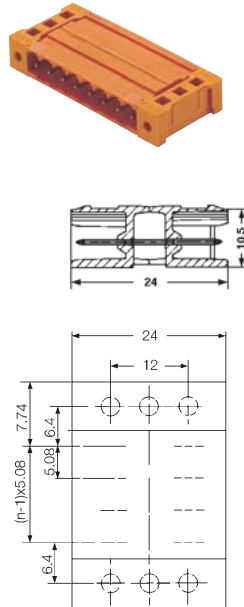
*Overvoltage category III / Pollution severity 3
Additional technical data see page 227

Solder pin length **3.2 mm** **4.5 mm**

Colour				
Poles	Type	Cat. No.	Cat. No.	Qty.
2	SLA 2/180B	1242560000	1353710000	100
3	SLA 3/180B	1242660000	1353810000	100
4	SLA 4/180B	1242760000	1353910000	100
5	SLA 5/180B	1242860000	1354010000	50
6	SLA 6/180B	1242960000	1354110000	50
7	SLA 7/180B	1243060000	1354210000	50
8	SLA 8/180B	1243160000	1354310000	50
9	SLA 9/180B	1243260000	1354410000	50
10	SLA 10/180B	1243360000	1354510000	50
11	SLA 11/180B	1243460000	1354610000	50
12	SLA 12/180B	1243560000	1354710000	50
13	SLA 13/180B	1243660000	1354810000	50
14	SLA 14/180B	1243760000	1354910000	50
15	SLA 15/180B	1243860000	1355010000	50
16	SLA 16/180B	1243960000	1355110000	50
17	SLA 17/180B	1270760000	1355210000	20
18	SLA 18/180B	1270860000	1355310000	20
19	SLA 19/180B	1270960000	1355410000	20
20	SLA 20/180B	1271060000	1355510000	20
21	SLA 21/180B	1271160000	1355610000	20
22	SLA 22/180B	1315360000	1355710000	20
23	SLA 23/180B	1315460000	1355810000	20
24	SLA 24/180B	1315560000	1355910000	20

Accessories	Page
Fixing	193
Marking	196
Coding	199
Miscellaneous	-

Pin headers SLAKU



Technical Data		VDE	UL	CSA
Rated voltage	V	250*	300	300
Rated current	A	10	10	10

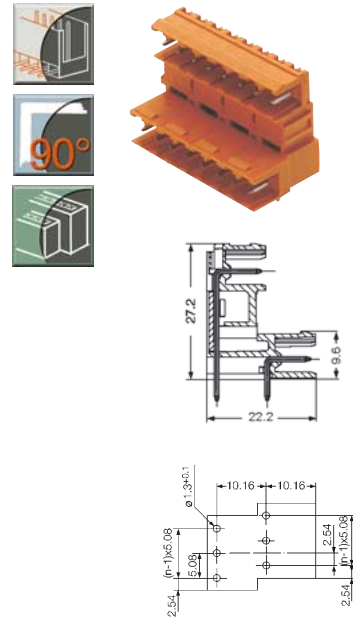
*Overvoltage category III / Pollution severity 3

Solder pin length **3.2 mm** **4.5 mm**

Colour			
Poles	Type	Cat. No.	Qty.
2	SLAKU 2	1359660000	50
3	SLAKU 3	1359760000	50
4	SLAKU 4	1342760000	50
5	SLAKU 5	1359860000	25
6	SLAKU 6	1359960000	25
7	SLAKU 7	1360060000	20
8	SLAKU 8	1342860000	20
9	SLAKU 9	1360160000	20
10	SLAKU 10	1360260000	20
11	SLAKU 11	1360360000	10
12	SLAKU 12	1360460000	10

Accessories	Page
Fixing	-
Marking	-
Coding	-
Miscellaneous	-

Pin headers SLAD 90



Technical Data		VDE	UL	CSA
Rated voltage	V	250*	300	300
Rated current	A	8	10	7

*Overvoltage category III / Pollution severity 3
Additional technical data see page 227

Solder pin length **3.2 mm** **4.5 mm**

Colour				
Poles	Type	Cat. No.	Cat. No.	Qty.
4	SLAD 4/90	1320060000	1321610000	50
6	SLAD 6/90	1320160000	1321710000	50
8	SLAD 8/90	1372460000	1385510000	50
10	SLAD 10/90	1372560000	1385610000	50
12	SLAD 12/90	1372660000	1385710000	50
14	SLAD 14/90	1372760000	1385810000	50
16	SLAD 16/90	1372860000	1385910000	20
18	SLAD 18/90	1372960000	1386010000	20
20	SLAD 20/90	1373060000	1386110000	20
22	SLAD 22/90	1373160000	1386210000	10
24	SLAD 24/90	1373260000	1386310000	10
26	SLAD 26/90	1373360000	1386410000	10
28	SLAD 28/90	1373460000	1386510000	10
30	SLAD 30/90	1373560000	1386610000	10
32	SLAD 32/90	1373660000	1386710000	10
34	SLAD 34/90	1373760000	1386810000	10
36	SLAD 36/90	1373860000	1386910000	10
38	SLAD 38/90	1373960000	1387010000	10
40	SLAD 40/90	1374060000	1387110000	10
42	SLAD 42/90	1374160000	1387210000	10
44	SLAD 44/90	1374260000	1387310000	10
46	SLAD 46/90	1374360000	1387410000	10
48	SLAD 48/90	1374460000	1387510000	10

Accessories	Page
Fixing	194
Marking	196
Coding	198, 199
Miscellaneous	-