



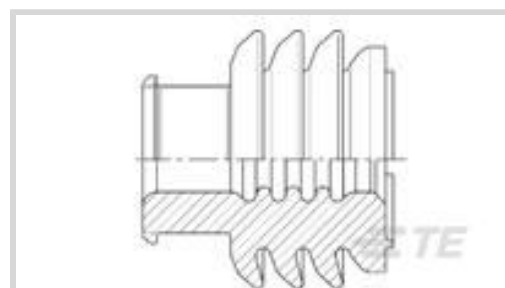
AMP | AMP MCP 9.5, AMP MCP Connector System

TE Internal #: 1355437-3

Automotive Seals & Cavity Plugs, Single Wire Seal (SWS), Cavity Diameter .591 in [15 mm], Silicone, Poor, 50, AMP MCP Connector System

[View on TE.com >](#)

Connectors > Automotive Connectors > Seals & Cavity Plugs



Connector Seal Type: **Single Wire Seal (SWS)**

Cavity Diameter: **15 mm [.591 in]**

Accepts Cable Insulation Diameter Range: **8.1 mm [.319 in]**

Seal Material: **Silicone**

Resistance to Hydrocarbons: **Poor**

Features

Product Type Features

Connector Seal Type	Single Wire Seal (SWS)
---------------------	------------------------

Body Features

Seal Material	Silicone
Primary Product Color	Red

Dimensions

Cavity Diameter	15 mm[.591 in]
Accepts Cable Insulation Diameter Range	8.1 mm[.319 in]

Usage Conditions

Operating Temperature (Max)	65 °C, 70 °C, 75 °C, 80 °C, 85 °C, 90 °C, 100 °C, 105 °C, 110 °C, 120 °C, 125 °C, 130 °C [149 °F][158 °F][167 °F][176 °F][185 °F][194 °F][212 °F][221 °F][230 °F][248 °F][257 °F][266 °F]
Operating Temperature Range	-40 – 130 °C[-40 – 266 °F]

Industry Standards

UL Flammability Rating	None
------------------------	------

Other

Resistance to Hydrocarbons	Poor
Shore A Hardness	50



Contains Lubricant	Yes
--------------------	-----

Product Compliance

[For compliance documentation, visit the product page on TE.com>](#)

EU RoHS Directive 2011/65/EU	Compliant
EU ELV Directive 2000/53/EC	Compliant
China RoHS 2 Directive MIIT Order No 32, 2016	No Restricted Materials Above Threshold
EU REACH Regulation (EC) No. 1907/2006	Current ECHA Candidate List: JAN 2022 (223) Candidate List Declared Against: JUL 2021 (219) SVHC > Threshold: Not Yet Reviewed
Halogen Content	Low Halogen - Br, Cl, F, I < 900 ppm per homogenous material. Also BFR/CFR/PVC Free
Solder Process Capability	Not applicable for solder process capability

Product Compliance Disclaimer

This information is provided based on reasonable inquiry of our suppliers and represents our current actual knowledge based on the information they provided. This information is subject to change. The part numbers that TE has identified as EU RoHS compliant have a maximum concentration of 0.1% by weight in homogenous materials for lead, hexavalent chromium, mercury, PBB, PBDE, DBP, BBP, DEHP, DIBP, and 0.01% for cadmium, or qualify for an exemption to these limits as defined in the Annexes of Directive 2011/65/EU (RoHS2). Finished electrical and electronic equipment products will be CE marked as required by Directive 2011/65/EU. Components may not be CE marked. Additionally, the part numbers that TE has identified as EU ELV compliant have a maximum concentration of 0.1% by weight in homogenous materials for lead, hexavalent chromium, and mercury, and 0.01% for cadmium, or qualify for an exemption to these limits as defined in the Annexes of Directive 2000/53/EC (ELV). Regarding the REACH Regulation, the information TE provides on SVHC in articles for this part number is based on the latest European Chemicals Agency (ECHA) 'Guidance on requirements for substances in articles' posted at this URL: <https://echa.europa.eu/guidance-documents/guidance-on-reach>

Compatible Parts



TE Part # CAT-AM705-CH8172
AMP MCP, SEALED CONNECTOR HOUSING



TE Part # 963774-1
TAB 9.5x1.2 CONTACT CS SWS Sn



TE Part # CAT-AM705-T273
AMP MCP, RECEPTACLE AND TAB



TE Part # 2282162-1
2POS,TAB 9.5X1.2,HEADER ASSY

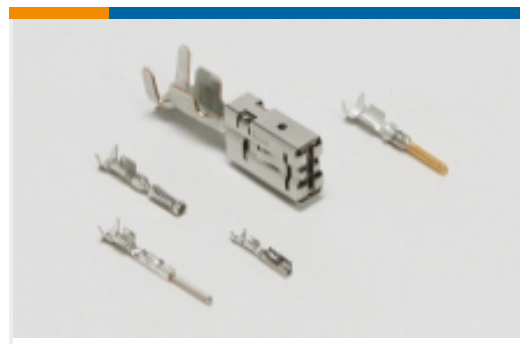
Also in the Series | AMP MCP 9.5



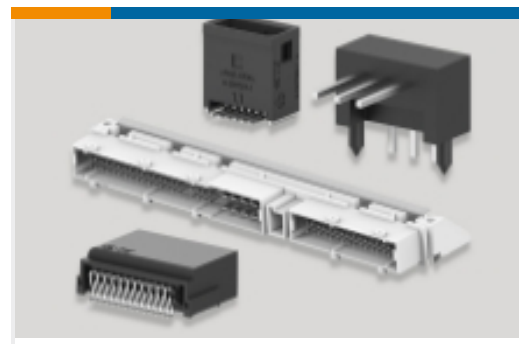
Automotive Housings(21)



Automotive Seals & Cavity Plugs(3)



Automotive Terminals(4)

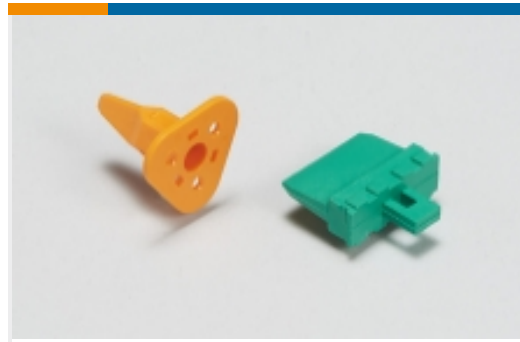


PCB Headers & Receptacles(1)

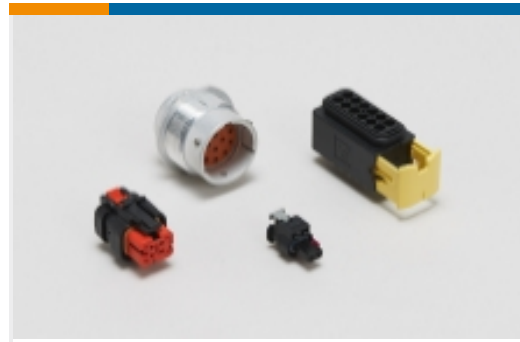
Also in the Series | AMP MCP Connector System



Automotive Connector Caps & Covers (24)



Automotive Connector Locks & Position Assurance(7)



Automotive Housings(352)



Automotive Seals & Cavity Plugs(6)



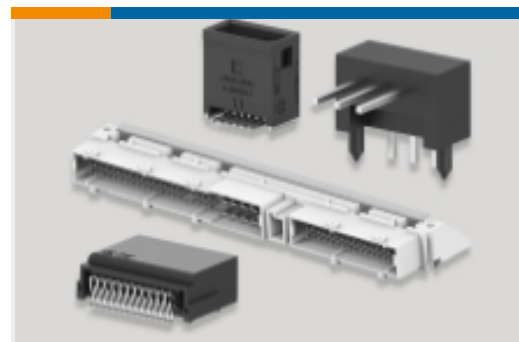
Automotive Terminals(125)



Insertion & Extraction Tools(13)



Other Automotive Connector Accessories(2)



PCB Headers & Receptacles(29)

Customers Also Bought



TE Part #1-1564520-1
12POS,TAB 1.6X0.6,TAB HSG,ASSY



TE Part #1-1879447-3
TE 200W 10R 5% Bracket



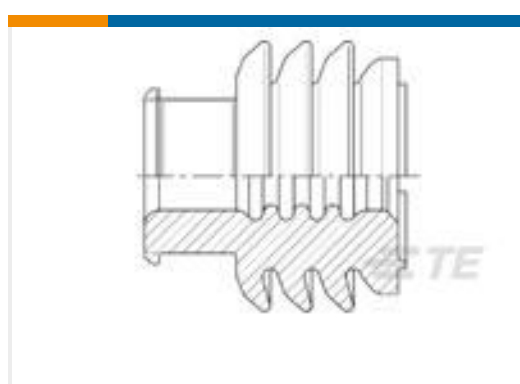
TE Part #963774-1
TIMER, RECEPTACLE AND TAB



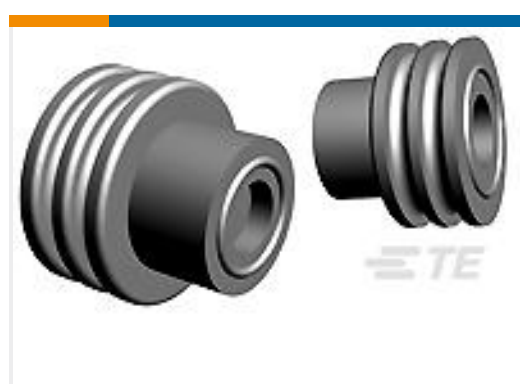
TE Part #1563110-1
COVER,90



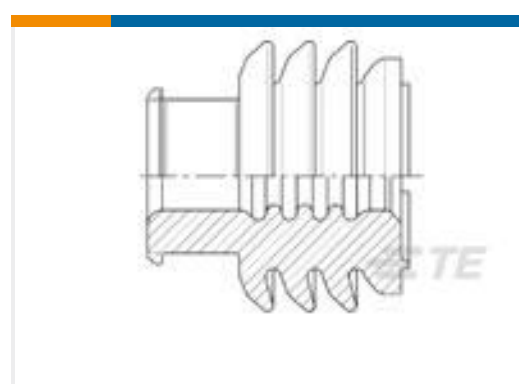
TE Part #1-967590-1
AMP MCP, RECEPTACLE AND TAB



TE Part #1355437-1
MCP9,5 EINZELDICHTG



TE Part #1394511-1
EINZELLEITDICHTG,WS



TE Part #1355437-2
MCP9,5 EINZELDICHTG



Documents

Product Drawings

[MCP9,5 EINZELDICHTG](#)

English

CAD Files

[3D PDF](#)

3D

Customer View Model

[ENG_CVM_CVM_1355437-3_A.2d_dxf.zip](#)

English

Customer View Model

[ENG_CVM_CVM_1355437-3_A.3d_igs.zip](#)

English

Customer View Model

[ENG_CVM_CVM_1355437-3_A.3d_stp.zip](#)

English

By downloading the CAD file I accept and agree to the [Terms and Conditions](#) of use.

Product Specifications

[Application Specification](#)

German