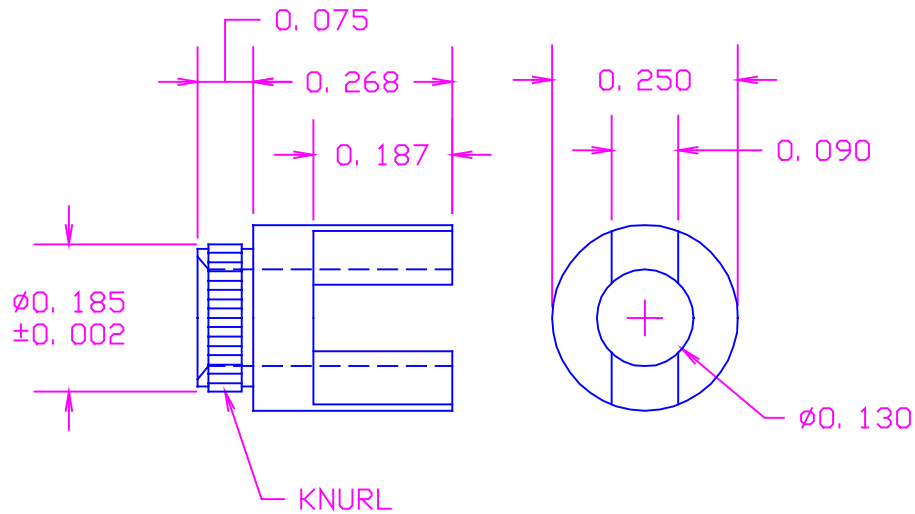


DATE	SYM	REVISION	RECORD	AUTH.	DR.	CK.
8/16/00	-	ISSUED			NT	DG



RECOMMENDED MOUNTING HOLE .189 DIA.(#12 DRILL)

MATERIAL: BRASS PER ASTM B16,  
ALLOY C 36000, 1/2 HARD

FINISH: .0003"MIN. SILVER PER QQ-S-365  
GRADE A WITH NON-CHROMATE  
PRESERVATIVE

ACTUAL SIZE



TOLERANCES	CONCORD ELECTRONICS CORPORATION		
DECIMAL $\pm .005$	P/N	SCALE	30 GREAT JONES ST. NEW YORK N. Y. 10012
FRACTIONAL $\pm 1/64$	TITLE TERMINAL		
$\pm 5^\circ$	DATE 8/16/00	DRAWING NUMBER	13-434-1-01