

1318376-1 ✓ ACTIVE



AMP Signal Double Lock

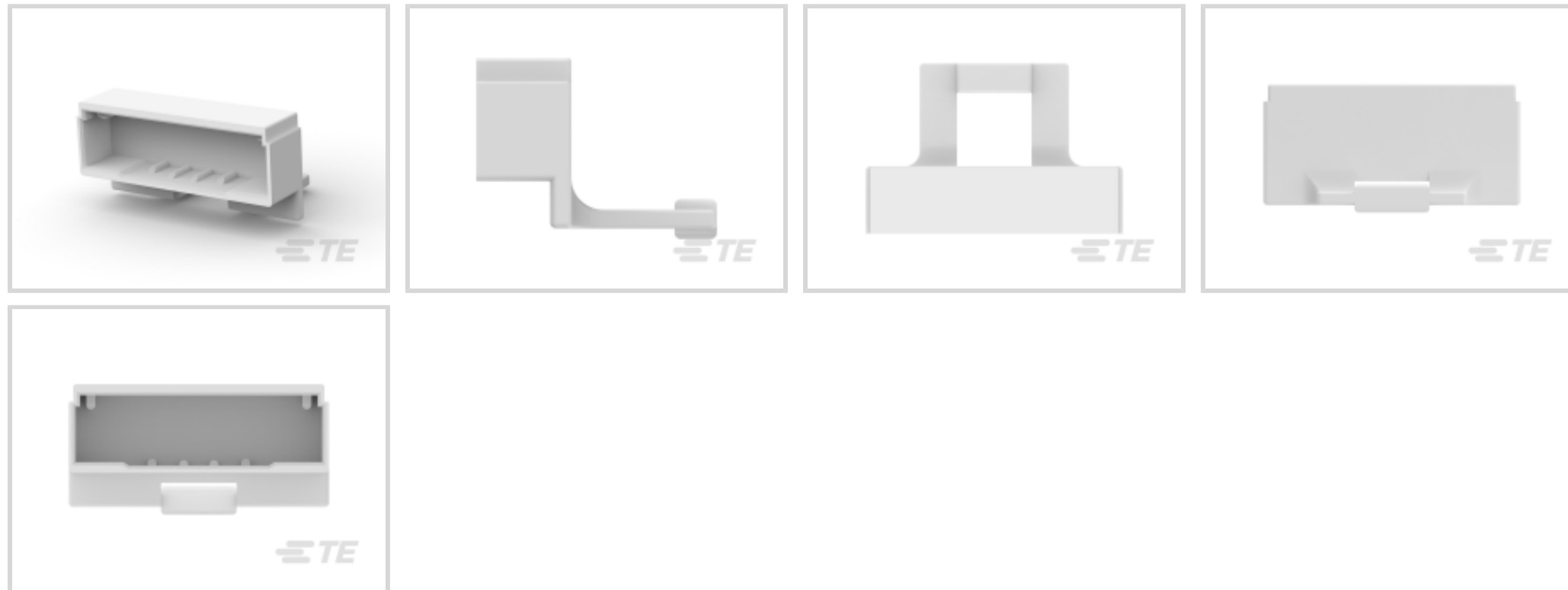
TE Internal #: 1318376-1

Rectangular Caps & Covers, Dust Cover, -40 – 105 °C [-40 – 221 °F],

UL 94V-0, AMP Signal Double Lock

[View on TE.com >](#)

Connectors > Rectangular Connectors > Rectangular Connector Accessories > Rectangular Caps & Covers



Protection & Strain Relief Accessory Type: **Dust Cover**

Sealable: **No**

Operating Temperature Range: **-40 – 105 °C [-40 – 221 °F]**

UL Flammability Rating: **UL 94V-0**

Features

Product Type Features

Product Type	Accessory
Protection & Strain Relief Accessory Type	Dust Cover
Sealable	No

Usage Conditions

Operating Temperature Range	-40 – 105 °C[-40 – 221 °F]
-----------------------------	----------------------------

Industry Standards

UL Flammability Rating	UL 94V-0
------------------------	----------

Packaging Features

Packaging Method	Bag
Packaging Quantity	200

Product Compliance

[For compliance documentation, visit the product page on TE.com>](#)

EU RoHS Directive 2011/65/EU	Compliant
EU ELV Directive 2000/53/EC	Compliant



China RoHS 2 Directive MIIT Order No 32, 2016	No Restricted Materials Above Threshold
EU REACH Regulation (EC) No. 1907/2006	Current ECHA Candidate List: JAN 2022 (223) Candidate List Declared Against: JAN 2022 (223) Does not contain REACH SVHC
Halogen Content	Not Low Halogen - contains Br or Cl > 900 ppm.
Solder Process Capability	Not applicable for solder process capability

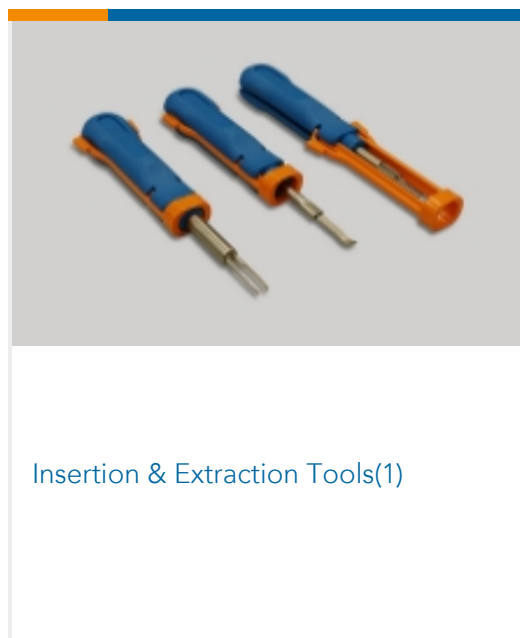
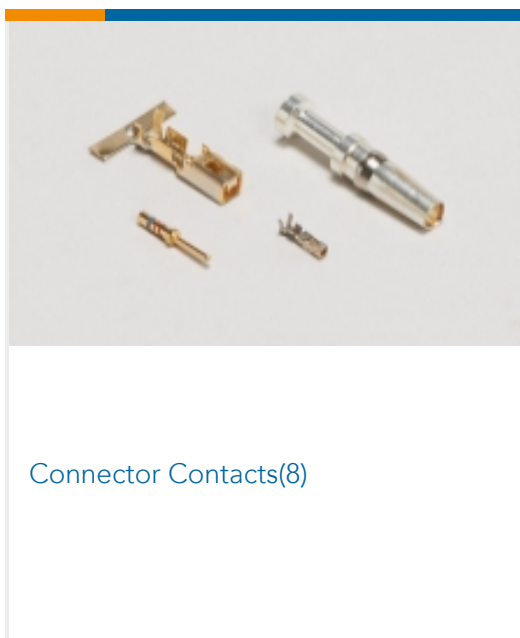
Product Compliance Disclaimer

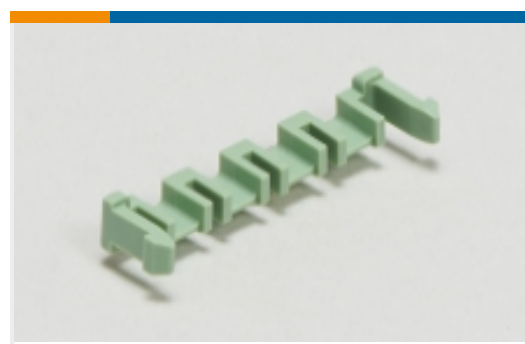
This information is provided based on reasonable inquiry of our suppliers and represents our current actual knowledge based on the information they provided. This information is subject to change. The part numbers that TE has identified as EU RoHS compliant have a maximum concentration of 0.1% by weight in homogenous materials for lead, hexavalent chromium, mercury, PBB, PBDE, DBP, BBP, DEHP, DIBP, and 0.01% for cadmium, or qualify for an exemption to these limits as defined in the Annexes of Directive 2011/65/EU (RoHS2). Finished electrical and electronic equipment products will be CE marked as required by Directive 2011/65/EU. Components may not be CE marked. Additionally, the part numbers that TE has identified as EU ELV compliant have a maximum concentration of 0.1% by weight in homogenous materials for lead, hexavalent chromium, and mercury, and 0.01% for cadmium, or qualify for an exemption to these limits as defined in the Annexes of Directive 2000/53/EC (ELV). Regarding the REACH Regulation, the information TE provides on SVHC in articles for this part number is based on the latest European Chemicals Agency (ECHA) 'Guidance on requirements for substances in articles' posted at this URL: <https://echa.europa.eu/guidance-documents/guidance-on-reach>

Compatible Parts



Also in the Series | AMP Signal Double Lock





PCB Latches, Locks & Retainers(17)



Rectangular Caps & Covers(1)



Rectangular Connector Housings(23)



Rectangular Connector Locking(2)



Rectangular Connector Seals(10)



Rectangular Power Connectors(3)



Standard Rectangular Connectors(1)

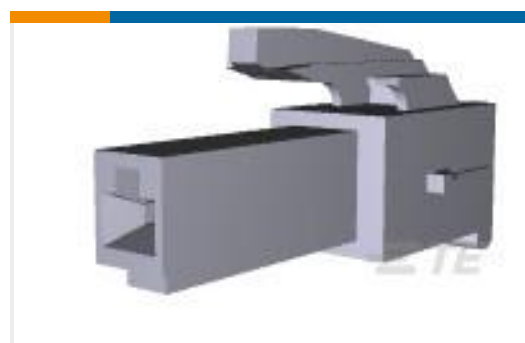


Wire-to-Board Connector Assemblies & Housings(74)



Wire-to-Board Connector Contacts(6)

Customers Also Bought



TE Part #316768-1
POWER DBL LOCK PLUG HSG 1P



TE Part #917690-1
STD Temp Signal Double Lock Plug



TE Part #917702-1
Signal Double Lock TPA



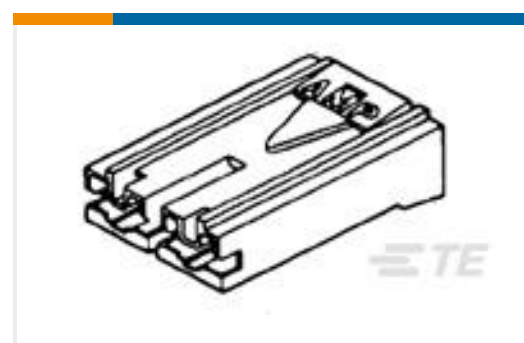
TE Part #917764-1
2.5 SIGNAL D/LOCK TAB CONT. L



TE Part #316769-1
POWER D/LOCK CAP HSG 1P
NATURA



TE Part #917701-1
2.5 SIGNAL DBL LOCK DLP 5P



TE Part #179720-1
187 HSG. PL MKII REC. 10mm 2P NAT

Documents



Product Drawings

SMARTEC CONN DUST COVER

English

CAD Files

3D PDF

3D

Customer View Model

[ENG_CVM_CVM_1318376-1_D.2d_dxf.zip](#)

English

Customer View Model

[ENG_CVM_CVM_1318376-1_D.3d_igs.zip](#)

English

Customer View Model

[ENG_CVM_CVM_1318376-1_D.3d_stp.zip](#)

English

Customer View Model

[ENG_CVM_1318376-1_C.3d_igs.zip](#)

English

Customer View Model

[ENG_CVM_1318376-1_C.3d_stp.zip](#)

English

Customer View Model

[ENG_CVM_1318376-1_C.2d_dxf.zip](#)

English

3D PDF

English

By downloading the CAD file I accept and agree to the [Terms and Conditions](#) of use.

Product Specifications

SMARTEC CONNECTOR

English

[Product Specification](#)

English

[Product Specification](#)

Japanese

SMARTEC CONNECTOR

Japanese