

1326028-4 ✓ ACTIVE

AMP | AMP 0.64 Connector System

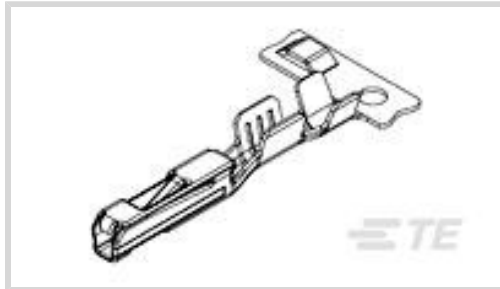
TE Internal #: 1326028-4

Automotive Terminals, Receptacle, Mating Tab Width .8 mm [.031 in], Tab Thickness .025 in [.64 mm], 22 AWG Wire Size, AMP 0.64 Connector System

[View on TE.com >](#)



Terminals & Splices > Automotive Terminals



Terminal Type: **Receptacle**

Mating Tab Width: **.8 mm [.031 in]**

Mating Tab Thickness: **.64 mm [.025 in]**

Terminal Transmits: **0 – 24 A (Low Power)**

Wire Size: **22 AWG**

Features

Product Type Features

Receptacle Style	180°
Sealable	No

Contact Features

Contact Size	.64mm
Contact Fabrication	Stamped & Formed
Typical Current Rating	7.7 A
Crimp Type	F-Crimp
Terminal Type	Receptacle
Mating Tab Width	.8 mm[.031 in]
Mating Tab Thickness	.64 mm[.025 in]
Interface Plating	Gold (Au)
Contact Termination Area Plating Material	Gold (Au)

Termination Features

Termination Method to Wire & Cable	Crimp
Product Terminates To	Wire

Dimensions

Wire Size	.3 mm ²
Wire Size Search	22 AWG



Wire Insulation Diameter	1.2 – 1.6 mm
--------------------------	--------------

Usage Conditions

Insulation Option	Uninsulated
Operating Temperature (Max)	80 °C, 85 °C, 90 °C, 100 °C, 105 °C, 110 °C, 120 °C, 125 °C[176 °F][185 °F][194 °F][212 °F][221 °F][230 °F][248 °F][257 °F]
Operating Temperature Range	-40 – 125 °C[-40 – 257 °F]

Operation/Application

Compatible With Wire Base Material	Copper
------------------------------------	--------

Packaging Features

Packaging Method	Reel
Packaging Quantity	7000

Other

Terminal Transmits	0 – 24 A (Low Power)
--------------------	----------------------

Product Compliance

[For compliance documentation, visit the product page on TE.com>](#)

EU RoHS Directive 2011/65/EU	Compliant
EU ELV Directive 2000/53/EC	Compliant
China RoHS 2 Directive MIIT Order No 32, 2016	No Restricted Materials Above Threshold
EU REACH Regulation (EC) No. 1907/2006	Current ECHA Candidate List: JAN 2022 (223) Candidate List Declared Against: JAN 2022 (223) Does not contain REACH SVHC
Halogen Content	Low Halogen - Br, Cl, F, I < 900 ppm per homogenous material. Also BFR/CFR/PVC Free
Solder Process Capability	Not applicable for solder process capability

Product Compliance Disclaimer

This information is provided based on reasonable inquiry of our suppliers and represents our current actual knowledge based on the information they provided. This information is subject to change. The part numbers that TE has identified as EU RoHS compliant have a maximum concentration of 0.1% by weight in homogenous materials for lead, hexavalent chromium, mercury, PBB, PBDE, DBP, BBP, DEHP, DIBP, and 0.01% for cadmium, or qualify for an exemption to these limits as defined in the Annexes of Directive 2011/65/EU (RoHS2). Finished electrical and electronic equipment products will be CE marked as required by Directive 2011/65/EU. Components may not be CE marked. Additionally, the part numbers that TE has identified as EU ELV compliant have a maximum concentration of 0.1% by weight in homogenous materials for lead, hexavalent chromium, and mercury, and 0.01% for cadmium, or qualify for an exemption to these limits as defined in the Annexes of Directive 2000/53/EC (ELV). Regarding the REACH Regulation, the information TE provides

on SVHC in articles for this part number is based on the latest European Chemicals Agency (ECHA) 'Guidance on requirements for substances in articles' posted at this URL: <https://echa.europa.eu/guidance-documents/guidance-on-reach>

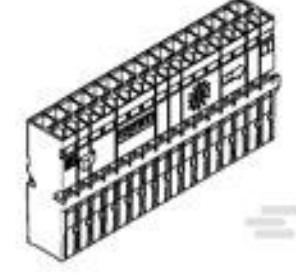
Compatible Parts



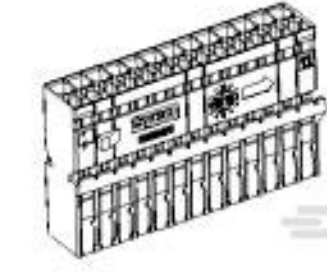
TE Part # 2305570-1
TERMINAL CUTTER, SIDE FEED



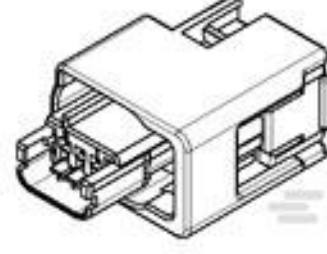
TE Part # 1326017-9
0.64MM AIRBAG HEADER ASSEMBLY



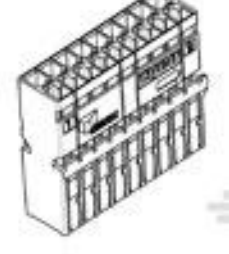
TE Part # 1326141-1
32WAY LAC RECEPTACLE CARRIER H



TE Part # 1326042-1
LAC CARRIER, 26 POS, 0.64MM, A KEY



TE Part # 1438454-1
0.64MM,3 POSN SEALED PLUG ASSY



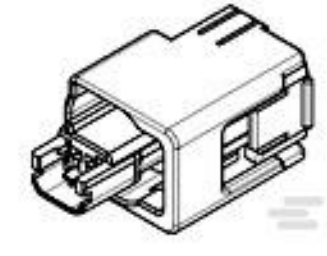
TE Part # 1326133-1
RECEPTACLE HOUSING, 18 POSITIO



TE Part # 638394-4
ASSY,12P PLUG "D" KEY, W/O CPA



TE Part # 638393-5
10P PLUG ASSY A KEY -W/ CPA



TE Part # 1438426-3
0.64MM, 2 POSN SEALED PLUG, GRA



TE Part # 2-2151597-1
OCEAN_2.0_Applicator-S-055F066O



TE Part # 2-2151597-2
OCEAN_2.0_Applicator-S-055F066O



TE Part # 2031221-1
PRO-CRIMPER TOOL & DIE



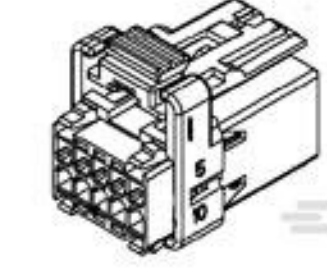
TE Part # 2031221-2
PRO-CRIMPER DIE SET



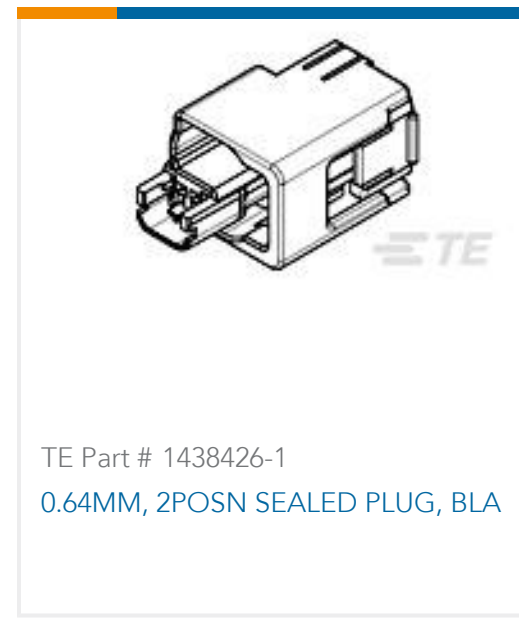
TE Part # 2151597-1
OCEAN_2.0_Applicator-S-055F066O



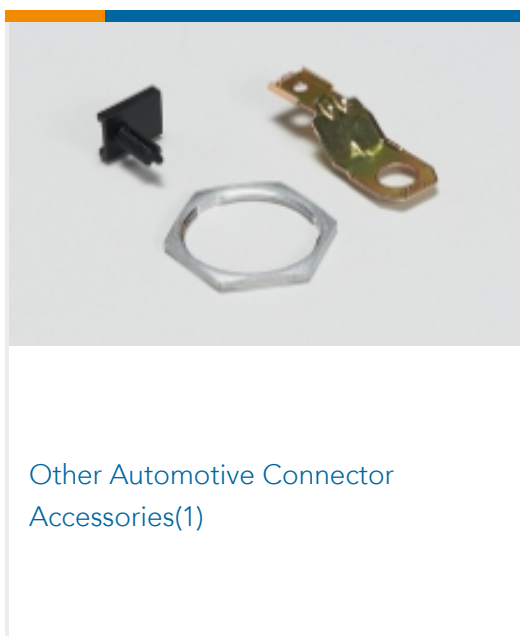
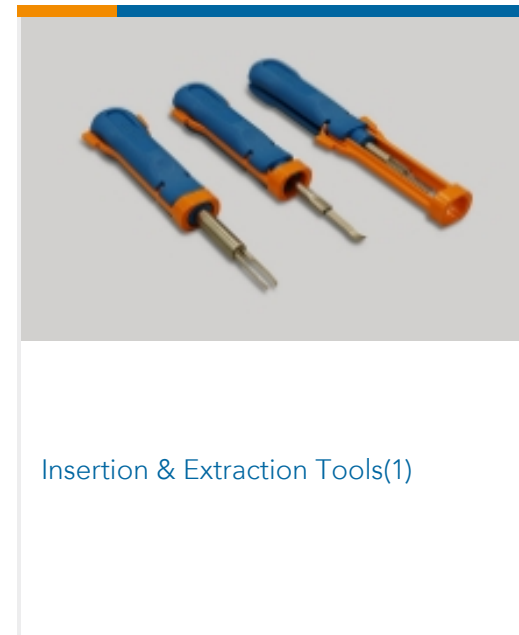
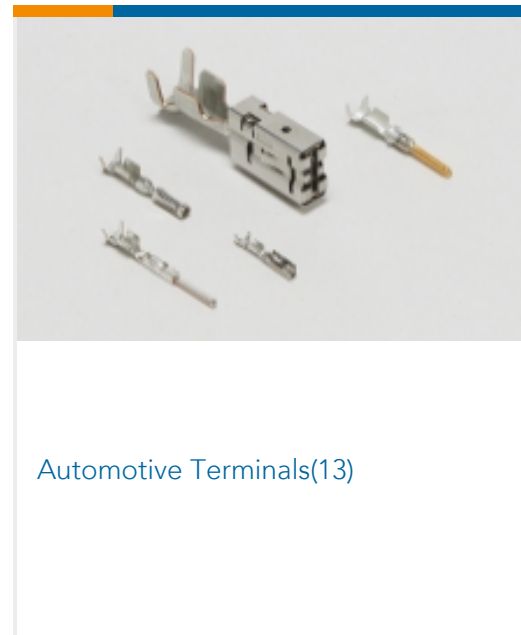
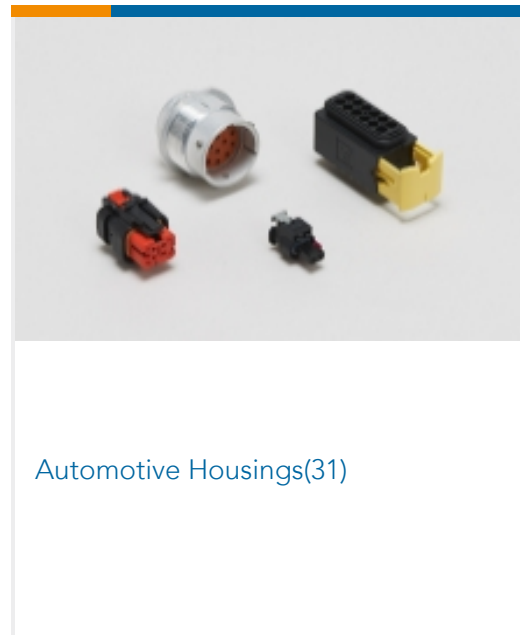
TE Part # 2151597-2
OCEAN_2.0_Applicator-S-055F066O



TE Part # 638394-1
ASSY,12P PLUG "A" KEY, W/O CPA



Also in the Series | AMP 0.64 Connector System



Customers Also Bought





Documents

Product Drawings

0.64MM FEMALE CONTACT,AU,22AWG

English

CAD Files

Customer View Model

[ENG_CVM_1326028-4_C.3d_igs.zip](#)

English

Customer View Model

[ENG_CVM_1326028-4_C.3d_stp.zip](#)

English

Customer View Model

[ENG_CVM_1326028-4_C.2d_dxf.zip](#)

English

3D PDF

English

By downloading the CAD file I accept and agree to the [Terms and Conditions](#) of use.

Product Specifications

Application Specification

English

Instruction Sheets

Instruction Sheet (U.S.)

English

Instruction Sheet (U.S.)

English

Instruction Sheet (U.S.)

English