

1355289-2 ✓ ACTIVE

AMP | AMP MCP 9.5, AMP MCP Connector System

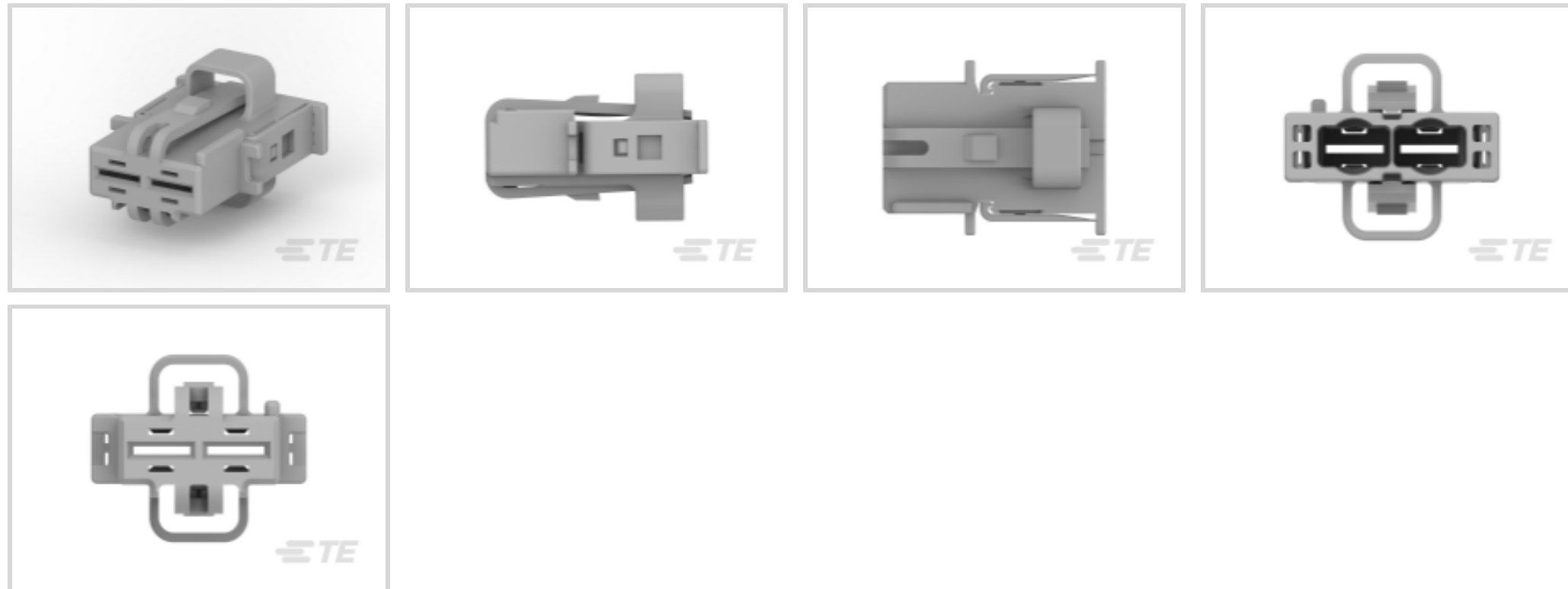
TE Internal #: 1355289-2

Housing for Female Terminals, Wire-to-Wire, 2 Position, .492 in [12.5 mm] Centerline, Gray, Power, Cable Mount (Free-Hanging), Hybrid

[View on TE.com >](#)



Connectors > Automotive Connectors > Connector Housings > AMP MCP, UNSEALED CONNECTOR HOUSING



Connector & Housing Type: **Housing for Female Terminals**

Mating Tab Width: **9.5 mm [ .374 in ]**

Connector System: **Wire-to-Wire**

Number of Positions: **2**

Centerline (Pitch): **12.5 mm [ .492 in ]**

[All AMP MCP, UNSEALED CONNECTOR HOUSING \(187\)](#)

## Features

### Product Type Features

Connector & Housing Shape	Rectangular
Connector & Housing Type	Housing for Female Terminals
Connector System	Wire-to-Wire
Sealable	No
Hybrid Connector	No
Primary Locking Feature	On the Terminal

### Configuration Features

Number of Positions	2
Number of Rows	1

### Electrical Characteristics

Operating Voltage	50 VDC
Nominal Voltage Architecture	12 V, 24 V, 42 V, 48 V



### Body Features

Cable Exit Angle	Other
Body Material	PA GF
Primary Product Color	Gray
Connector Code	B

### Contact Features

Contact Size	9.5mm
Contact Type	Receptacle
Mating Tab Width	9.5 mm[.374 in]

### Mechanical Attachment

Mounting Feature	Without
Terminal Position Assurance	Yes
Strain Relief	Without
Mating Alignment Type	Keyed
Mating Alignment	With
Connector Mounting Type	Cable Mount (Free-Hanging)

### Housing Features

Centerline (Pitch)	12.5 mm[.492 in]
--------------------	------------------

### Dimensions

Product Width	46 mm[1.811 in]
Product Length	35.6 mm[1.402 in]
Product Height	30 mm[1.181 in]

### Usage Conditions

Operating Temperature (Max)	70 °C, 75 °C, 80 °C, 85 °C[158 °F][167 °F] [176 °F][185 °F]
Operating Temperature Range	-40 – 85 °C[-40 – 185 °F]

### Operation/Application

Circuit Application	Power
---------------------	-------

### Industry Standards

UL Flammability Rating	UL 94HB
------------------------	---------

### Packaging Features

Packaging Quantity	800
--------------------	-----



Packaging Method: Carton

**Other**

Serviceable	Yes
Connector Position Assurance Capable	No

**Product Compliance**

[For compliance documentation, visit the product page on TE.com>](#)

EU RoHS Directive 2011/65/EU	Compliant
EU ELV Directive 2000/53/EC	Compliant
China RoHS 2 Directive MIIT Order No 32, 2016	No Restricted Materials Above Threshold
EU REACH Regulation (EC) No. 1907/2006	Current ECHA Candidate List: JAN 2022 (223) Candidate List Declared Against: JAN 2022 (223) Does not contain REACH SVHC
Halogen Content	Low Halogen - Br, Cl, F, I < 900 ppm per homogenous material. Also BFR/CFR/PVC Free
Solder Process Capability	Not applicable for solder process capability

**Product Compliance Disclaimer**

This information is provided based on reasonable inquiry of our suppliers and represents our current actual knowledge based on the information they provided. This information is subject to change. The part numbers that TE has identified as EU RoHS compliant have a maximum concentration of 0.1% by weight in homogenous materials for lead, hexavalent chromium, mercury, PBB, PBDE, DBP, BBP, DEHP, DIBP, and 0.01% for cadmium, or qualify for an exemption to these limits as defined in the Annexes of Directive 2011/65/EU (RoHS2). Finished electrical and electronic equipment products will be CE marked as required by Directive 2011/65/EU. Components may not be CE marked. Additionally, the part numbers that TE has identified as EU ELV compliant have a maximum concentration of 0.1% by weight in homogenous materials for lead, hexavalent chromium, and mercury, and 0.01% for cadmium, or qualify for an exemption to these limits as defined in the Annexes of Directive 2000/53/EC (ELV). Regarding the REACH Regulation, the information TE provides on SVHC in articles for this part number is based on the latest European Chemicals Agency (ECHA) 'Guidance on requirements for substances in articles' posted at this URL: <https://echa.europa.eu/guidance-documents/guidance-on-reach>

**Compatible Parts**



Also in the Series | **AMP MCP 9.5**



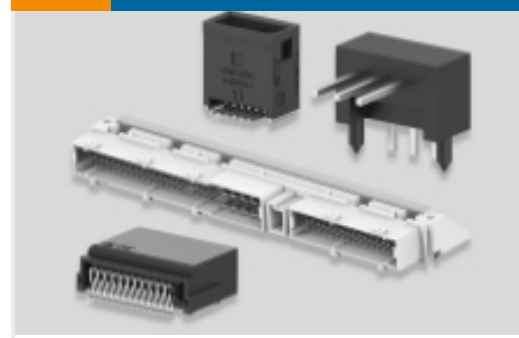
Automotive Housings(21)



Automotive Seals & Cavity Plugs(3)



Automotive Terminals(4)

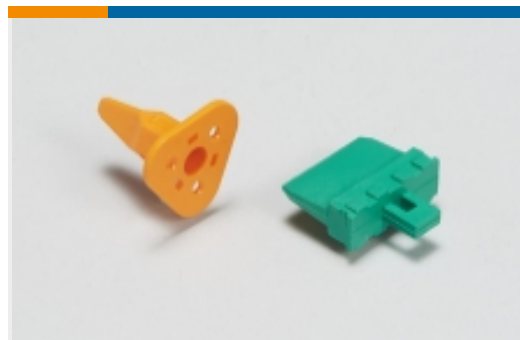


PCB Headers & Receptacles(1)

Also in the Series | **AMP MCP Connector System**



Automotive Connector Caps & Covers (24)



Automotive Connector Locks & Position Assurance(7)



Automotive Housings(352)



Automotive Seals & Cavity Plugs(6)



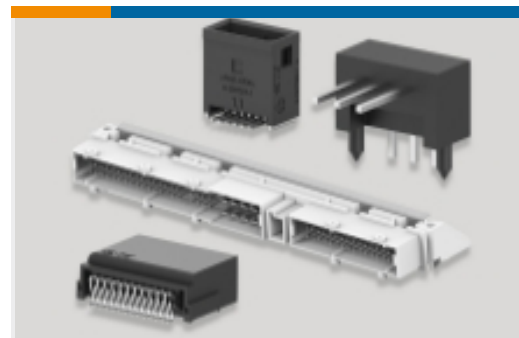
Automotive Terminals(125)



Insertion & Extraction Tools(13)



Other Automotive Connector Accessories(2)

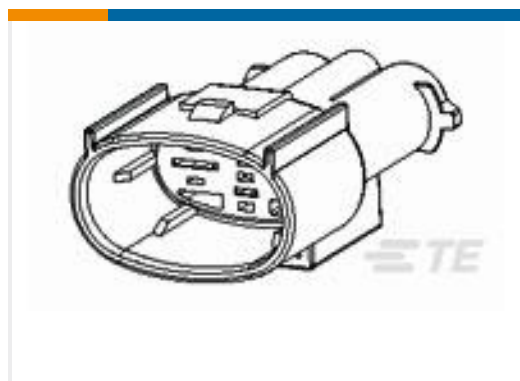


PCB Headers & Receptacles(29)

Customers Also Bought



TE Part #2-1418448-2  
Heavy Duty Sealed Connector Series Housings



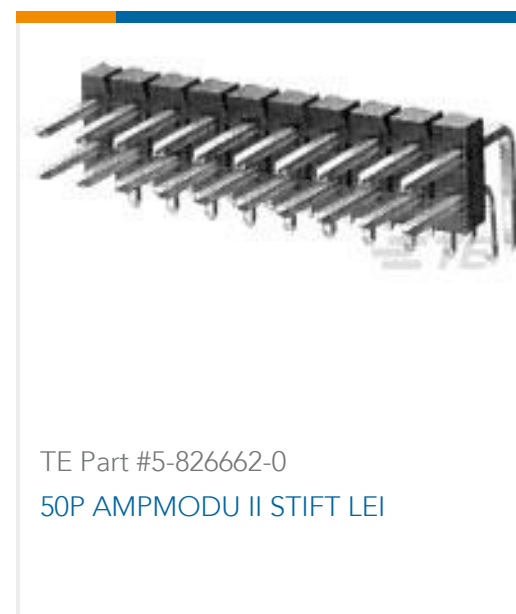
TE Part #1897209-2  
MCP HYB 4P CAP HSG



TE Part #1-965641-2  
TIMER, CONNECTOR HOUSING



TE Part #1355289-1  
MCP9,5BU-GEH2P,SW



## Documents

### Product Drawings

[MCP9,5BU-GEH2P,GRAU](#)

English

### CAD Files

[3D PDF](#)

3D

Customer View Model

[ENG\\_CVM\\_CVM\\_1355289-2\\_B.2d\\_dxf.zip](#)

English

Customer View Model

[ENG\\_CVM\\_CVM\\_1355289-2\\_B.3d\\_igs.zip](#)

English

Customer View Model

[ENG\\_CVM\\_CVM\\_1355289-2\\_B.3d\\_stp.zip](#)

English

By downloading the CAD file I accept and agree to the [Terms and Conditions](#) of use.

### Product Specifications

[Application Specification](#)

German

### Product Environmental Compliance

[Product Compliance](#)

English

[Product Compliance](#)

English