

130517 ✓ ACTIVE



PIDG

TE Internal #: 130517

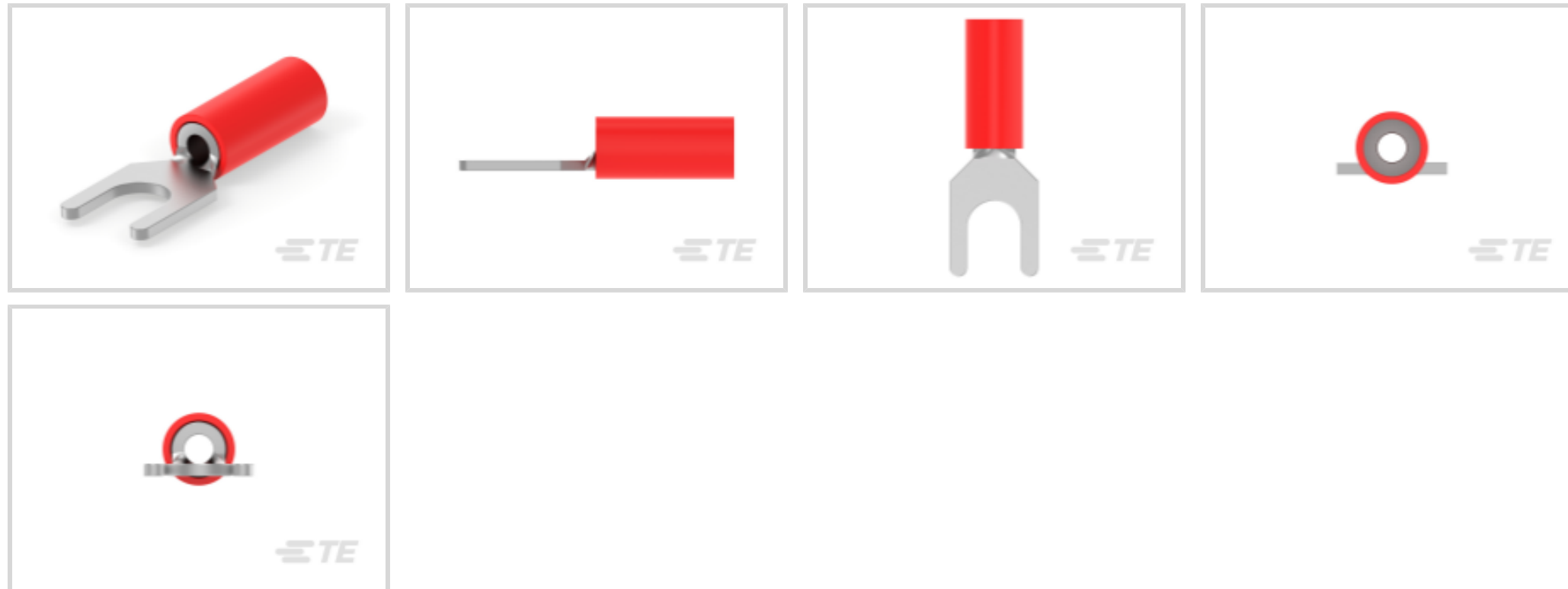
Ring Terminals & Spade Terminals, Spade Tongue, 22 – 16 AWG

Wire Size, .26 – 1.65 mm² Wire Size, 509 – 3260 CMA Wire Size,

Stud Size M4 / #8, PIDG

[View on TE.com >](#)

Terminals & Splices > Ring Terminals & Spade Terminals



Ring & Spade Terminal Type: **Spade Tongue**

Wire Size: **509 – 3260 CMA**

Stud Size: **#8, M4**

Features

Product Type Features

| | |
|--|--------------------|
| Shape Description | SPADE-020 |
| Stud Size | #8, M4 |
| Sealable | No |
| Wire Insulation Support Retention Type | Insulation Support |

Configuration Features

| | |
|----------------|-------|
| Terminal Angle | 180 ° |
|----------------|-------|

Electrical Characteristics

| | |
|---------------|-------|
| Voltage (Max) | 300 V |
|---------------|-------|

Body Features

| | |
|-------------------------|-----|
| Inspection Slot | No |
| Insulation Sleeve Color | Red |
| Stripe Color | Red |

Contact Features

| | |
|----------------------------|--------------|
| Ring & Spade Terminal Type | Spade Tongue |
| Barrel Type | Closed |



| | |
|----------------------|----------|
| Terminal Orientation | Straight |
|----------------------|----------|

| | |
|---------------------------|-----|
| Terminal Plating Material | Tin |
|---------------------------|-----|

Mechanical Attachment

| | |
|-------------------------|------|
| Wire Insulation Support | With |
|-------------------------|------|

Dimensions

| | |
|-----------|----------------|
| Wire Size | 509 – 3260 CMA |
|-----------|----------------|

| | |
|---------------|-----------------|
| Stud Diameter | 4.3 mm[.169 in] |
|---------------|-----------------|

| | |
|------------------|-----------------|
| Tongue Thickness | .79 mm[.031 in] |
|------------------|-----------------|

| | |
|------------------------|------------------|
| Overall Product Length | 20.8 mm[.819 in] |
|------------------------|------------------|

| | |
|--|-----------------|
| Accepts Wire Insulation Diameter (Max) | 3.6 mm[.141 in] |
|--|-----------------|

| | |
|--|------------------------------|
| Accepts Wire Insulation Diameter Range | 2.7 – 3.6 mm[.106 – .142 in] |
|--|------------------------------|

Usage Conditions

| | |
|-------------------|---------------------|
| Insulation Option | Partially Insulated |
|-------------------|---------------------|

| | |
|-----------------------------|----------------|
| Operating Temperature Range | 105 °C[221 °F] |
|-----------------------------|----------------|

Operation/Application

| | |
|------------------------------------|--------|
| Compatible With Wire Base Material | Copper |
|------------------------------------|--------|

| | |
|---------------------------------------|-----|
| Compatible With Wire Plating Material | Tin |
|---------------------------------------|-----|

| | |
|------------|----|
| Heavy Duty | No |
|------------|----|

Industry Standards

| | |
|----------------------|----|
| Government Qualified | No |
|----------------------|----|

Packaging Features

| | |
|--------------------|------|
| Packaging Quantity | 1000 |
|--------------------|------|

| | |
|------------------|-------------|
| Packaging Method | Loose Piece |
|------------------|-------------|

Other

| | |
|---------|--|
| Comment | Available On-Tape for Automatic Termination. |
|---------|--|

Product Compliance

[For compliance documentation, visit the product page on TE.com>](#)

| | |
|------------------------------|-----------|
| EU RoHS Directive 2011/65/EU | Compliant |
|------------------------------|-----------|

| | |
|-----------------------------|-----------|
| EU ELV Directive 2000/53/EC | Compliant |
|-----------------------------|-----------|

| | |
|---|---|
| China RoHS 2 Directive MIIT Order No 32, 2016 | No Restricted Materials Above Threshold |
|---|---|



EU REACH Regulation (EC) No. 1907/2006

Current ECHA Candidate List: JAN 2022 (223)

Candidate List Declared Against: JAN 2022 (223)

Does not contain REACH SVHC

Halogen Content

Low Halogen - Br, Cl, F, I < 900 ppm per homogenous material. Also BFR/CFR/PVC Free

Solder Process Capability

Not applicable for solder process capability

Product Compliance Disclaimer

This information is provided based on reasonable inquiry of our suppliers and represents our current actual knowledge based on the information they provided. This information is subject to change. The part numbers that TE has identified as EU RoHS compliant have a maximum concentration of 0.1% by weight in homogenous materials for lead, hexavalent chromium, mercury, PBB, PBDE, DBP, BBP, DEHP, DIBP, and 0.01% for cadmium, or qualify for an exemption to these limits as defined in the Annexes of Directive 2011/65/EU (RoHS2). Finished electrical and electronic equipment products will be CE marked as required by Directive 2011/65/EU. Components may not be CE marked. Additionally, the part numbers that TE has identified as EU ELV compliant have a maximum concentration of 0.1% by weight in homogenous materials for lead, hexavalent chromium, and mercury, and 0.01% for cadmium, or qualify for an exemption to these limits as defined in the Annexes of Directive 2000/53/EC (ELV). Regarding the REACH Regulation, the information TE provides on SVHC in articles for this part number is based on the latest European Chemicals Agency (ECHA) 'Guidance on requirements for substances in articles' posted at this URL: <https://echa.europa.eu/guidance-documents/guidance-on-reach>

Compatible Parts



Also in the Series | **PIDG**



Compression Connectors(17)



Crimp Terminal Housings(1)



Crimp Wire Pins, Tabs & Ferrules(41)



Knife Disconnects(11)



PCB Terminals(9)



Portable Crimp Tools(2)



Quick Disconnects(53)



Ring Terminals & Spade Terminals(861)



Special Purpose Terminals(1)

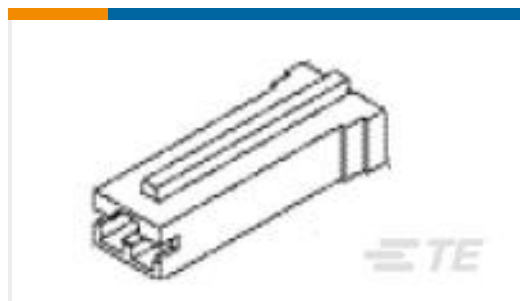


Splices(48)

Customers Also Bought



TE Part #8-324075-1
TERMINAL,PIDG R 26-22 10



TE Part #521125-1
PL 187 HOUSING TAB 0.81 NYLON 6/6



TE Part #35776
TERMINAL,SOLIS R 16-14HD 5/16



TE Part #130522
PIDG SPADE



TE Part #4-1879494-9
CRGH0603 5% 100R 0.2W



TE Part #YDTS32W19RV0010000
DUST COVER ASSEM



TE Part #ZPF0000000000007062
951-1H 10-6 P 50

Documents



Product Drawings

PIDG 22-16 SPADE M4

English

CAD Files

3D PDF

3D

Customer View Model

[ENG_CVM_CVM_130517_H.2d_dxf.zip](#)

English

Customer View Model

[ENG_CVM_CVM_130517_H.3d_igs.zip](#)

English

Customer View Model

[ENG_CVM_CVM_130517_H.3d_stp.zip](#)

English

Customer View Model

[ENG_CVM_130517_F1.3d_igs.zip](#)

English

Customer View Model

[ENG_CVM_130517_F1.2d_dxf.zip](#)

English

Customer View Model

[ENG_CVM_130517_F1.3d_stp.zip](#)

English

3D PDF

3D

By downloading the CAD file I accept and agree to the [Terms and Conditions](#) of use.

Product Specifications

Application Specification

English

Product Environmental Compliance

[MD_130517_11252014017_dmtec](#)

English

[MD_130517_11252014017_dmtec](#)

English

Agency Approvals

UL Report

English