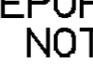
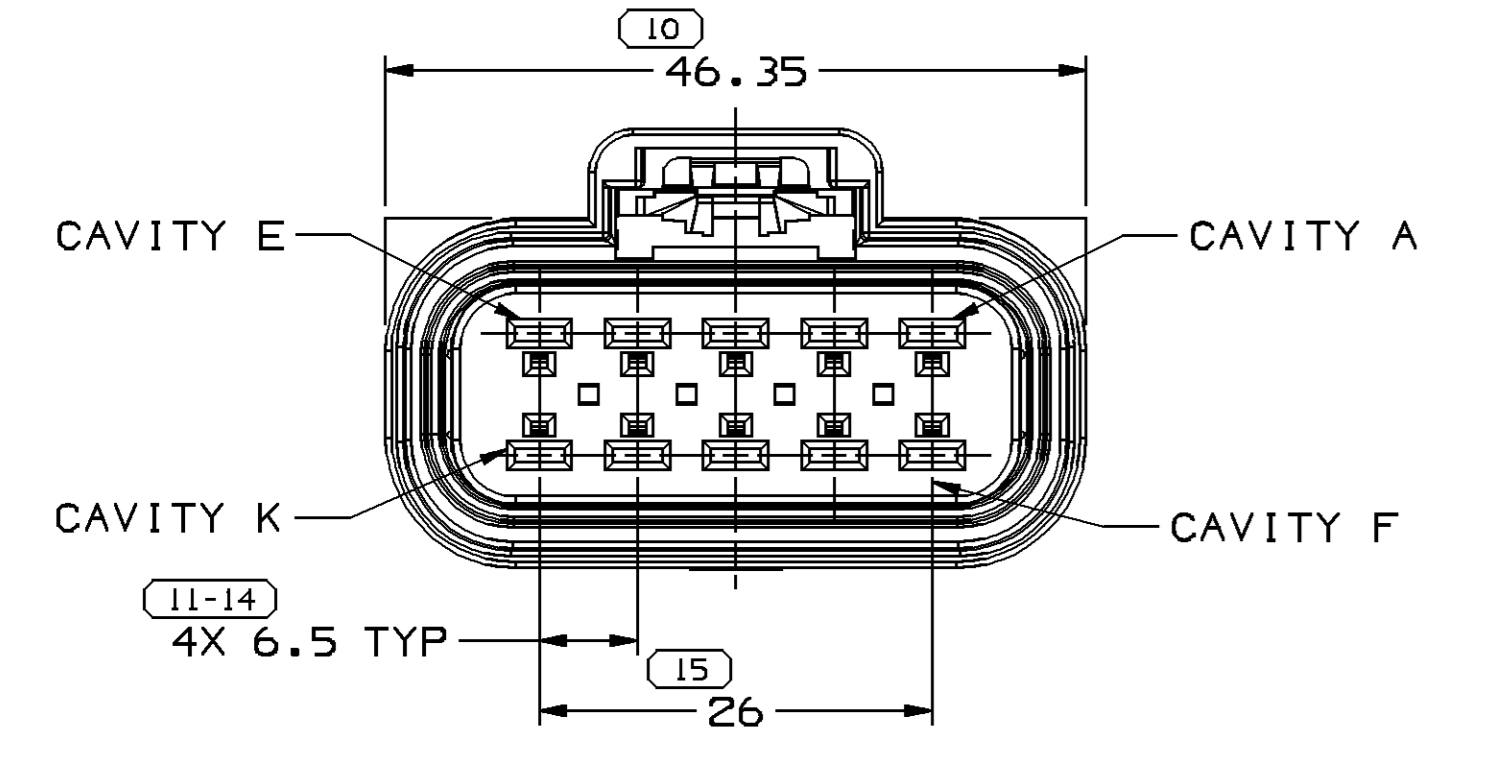
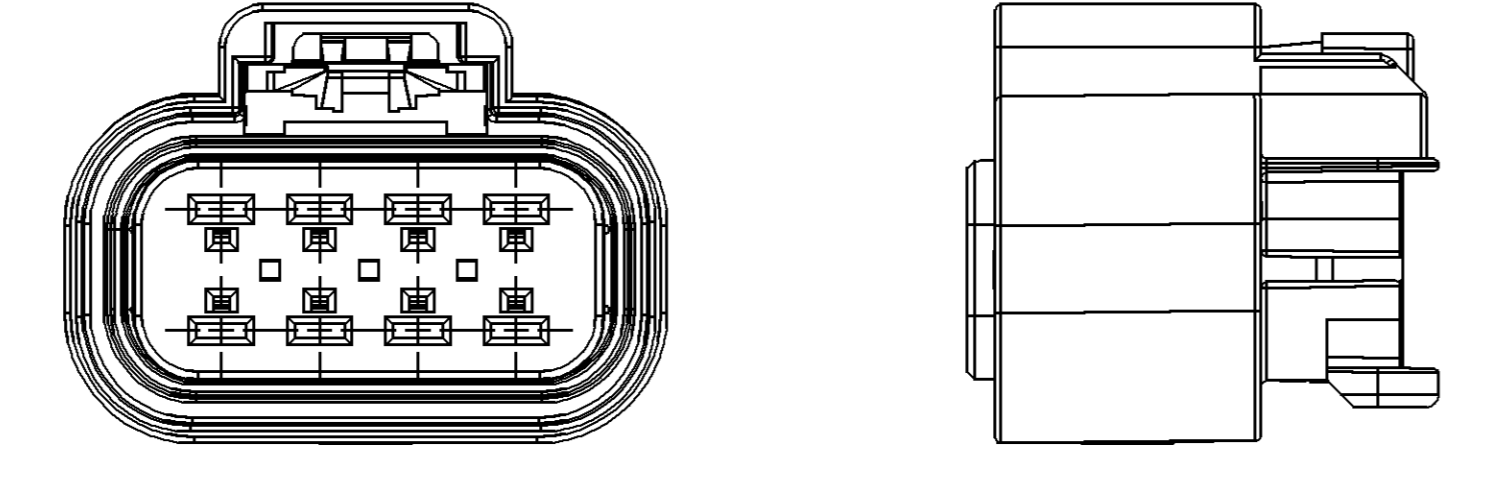


SYMBOL DEFINITION		MISSING NUMBERS	
A DIMENSION WITHOUT AN INSPECTION REPORT SYMBOL  DOES NOT REQUIRE INSPECTION. IT MAY BE CONTROLLED ON AN INDIVIDUAL COMPONENT DRAWING.	TOTAL NO. OF SYMBOLS ON DRAWING	20	
	LAST NO. USED	40	

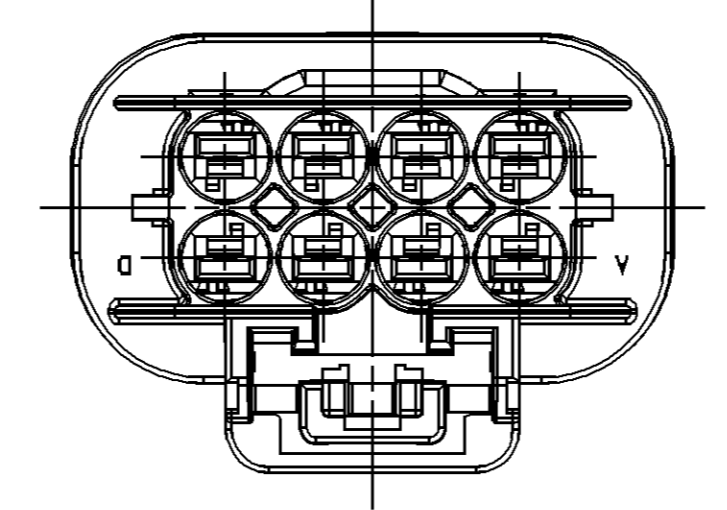
DATE				ZONE				REVISION HISTORY				AUTH		DR		AP/VD	
25AUG99	R	02	-	-	-	-	-	CLEARED REVISION COLUMN PART DRAWING UPDATED				196586	DRR	DRR	SAN	1	2
190C99	R	03	-	-	-	-	-	ALL PARTS - REVISED GRAPHICS				196725	LMM	FRM	SAN		
14JUL03	R	04	-	-	-	-	-	ALL PARTS - REVISED CHART TO SHOW MATING TPA P/Ns; REVISED MATING COMPONENT NOTE, ADDED CPA P/N				242960	ADK	ADK	SAN		
22SE05	R	05	-	-	-	-	-	13538370 & 13540547 - RELEASED				272748	LMB	LMB	BR		
09MR06	R	06	-	-	-	-	-	ALL PARTS - TERMINAL 15304720 WAS 15304718; CABLE SEAL 15366067 WAS 121912324; 15326654 - 39.85 WAS 39.9; 29.02 +/-0.5 WAS 29; 15326660 - 46.37 WAS 46.4; 15326666 - 65.85 WAS 65.9; 15326910 - 52.85 WAS 52.9; 15326917 - 59.35 WAS 59.4; 13538370 - UPDATED PD ATTRIBUTES; 13540547 - REVISED DELPHI LOGO & VIEW TYPE LABEL				277561	MAC	MAC	SAN		
26AP06	R	07	-	-	-	-	-	13540547 - 29.77 +0.37/-0.2 WAS 29.77				279991	JPH	FKV	RWR		
17MY06	R	08	-	-	-	-	-	ALL PARTS - UPDATED PDM ATTRIBUTES; 15326654 - RESTRICTED AND ADDED REPLACED BY COLUMN IN CHART				280598	CCV	JVM	RWR		



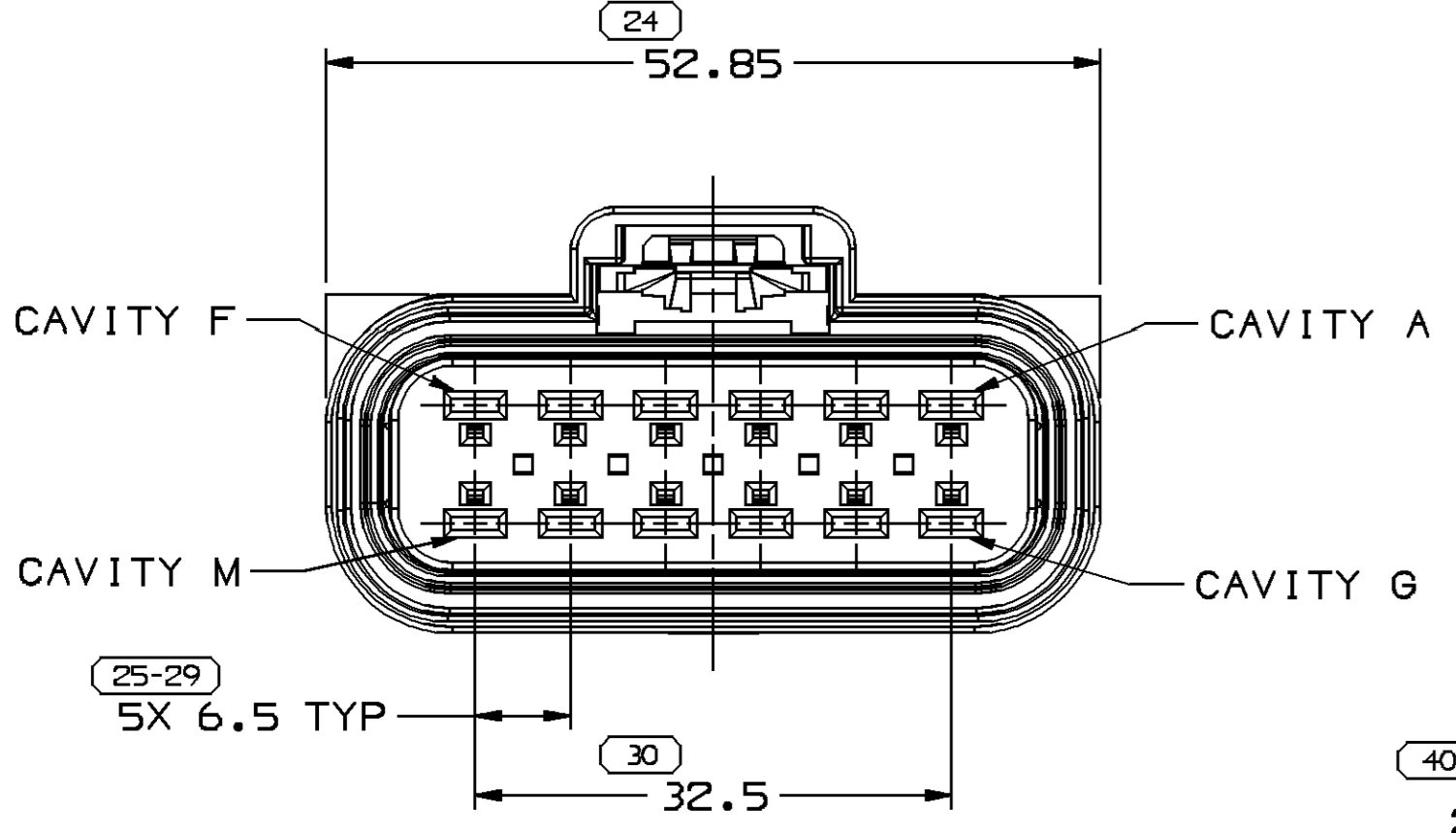
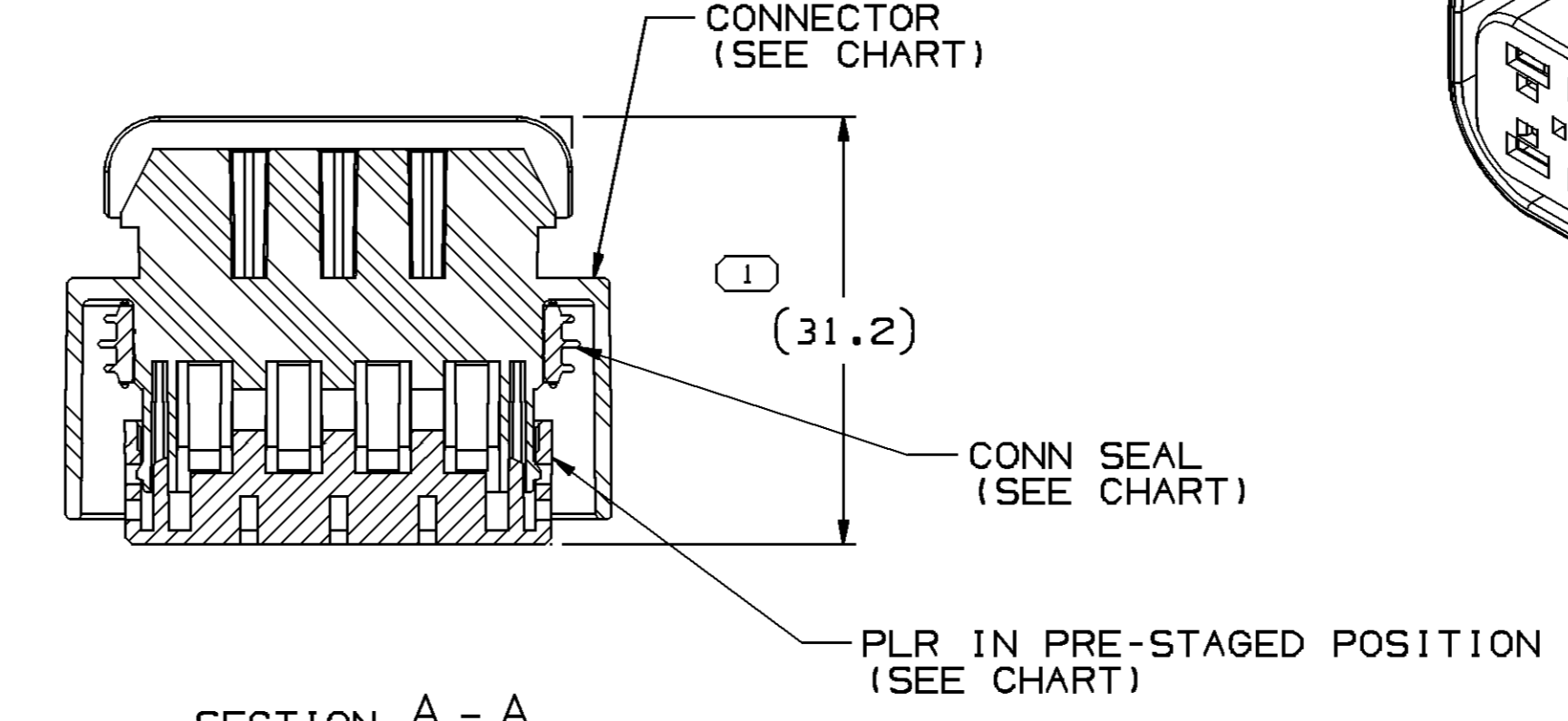
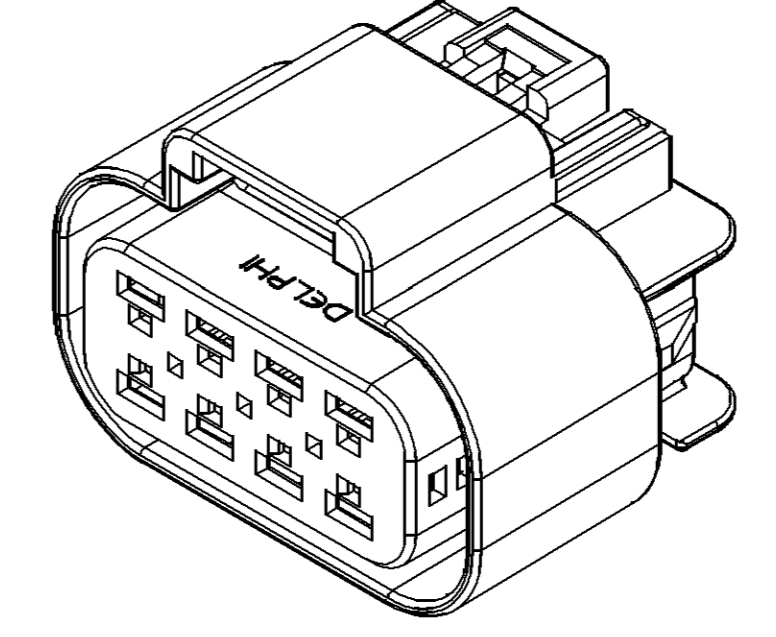
TYPE 110
SAME AS TYPE 108
EXCEPT AS SHOWN



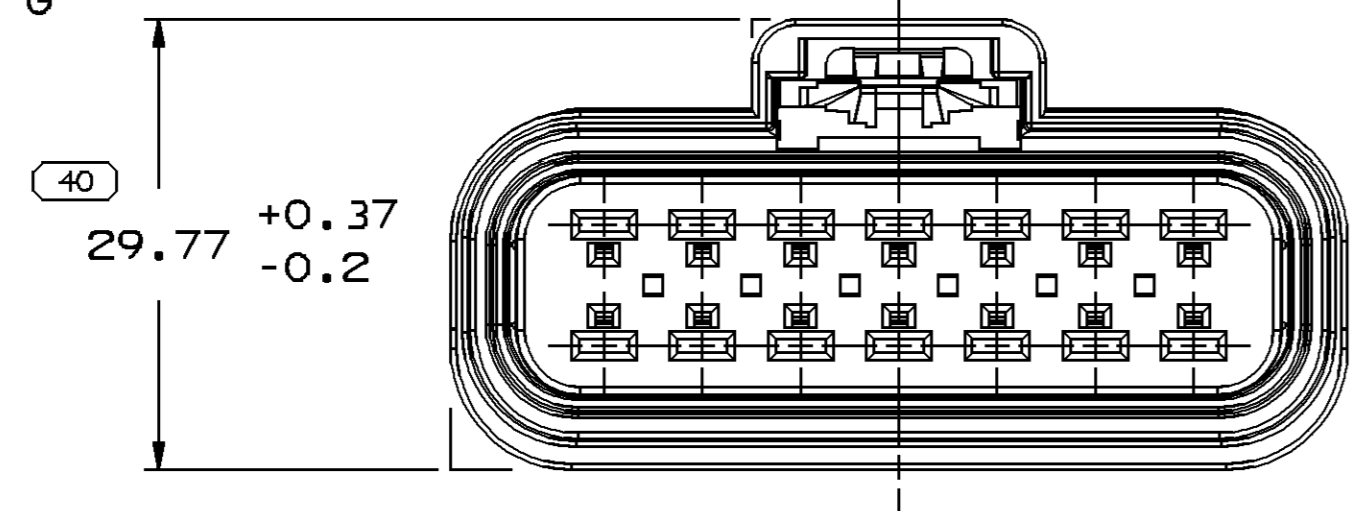
TYPE 208
SAME AS TYPE 108
EXCEPT AS SHOWN



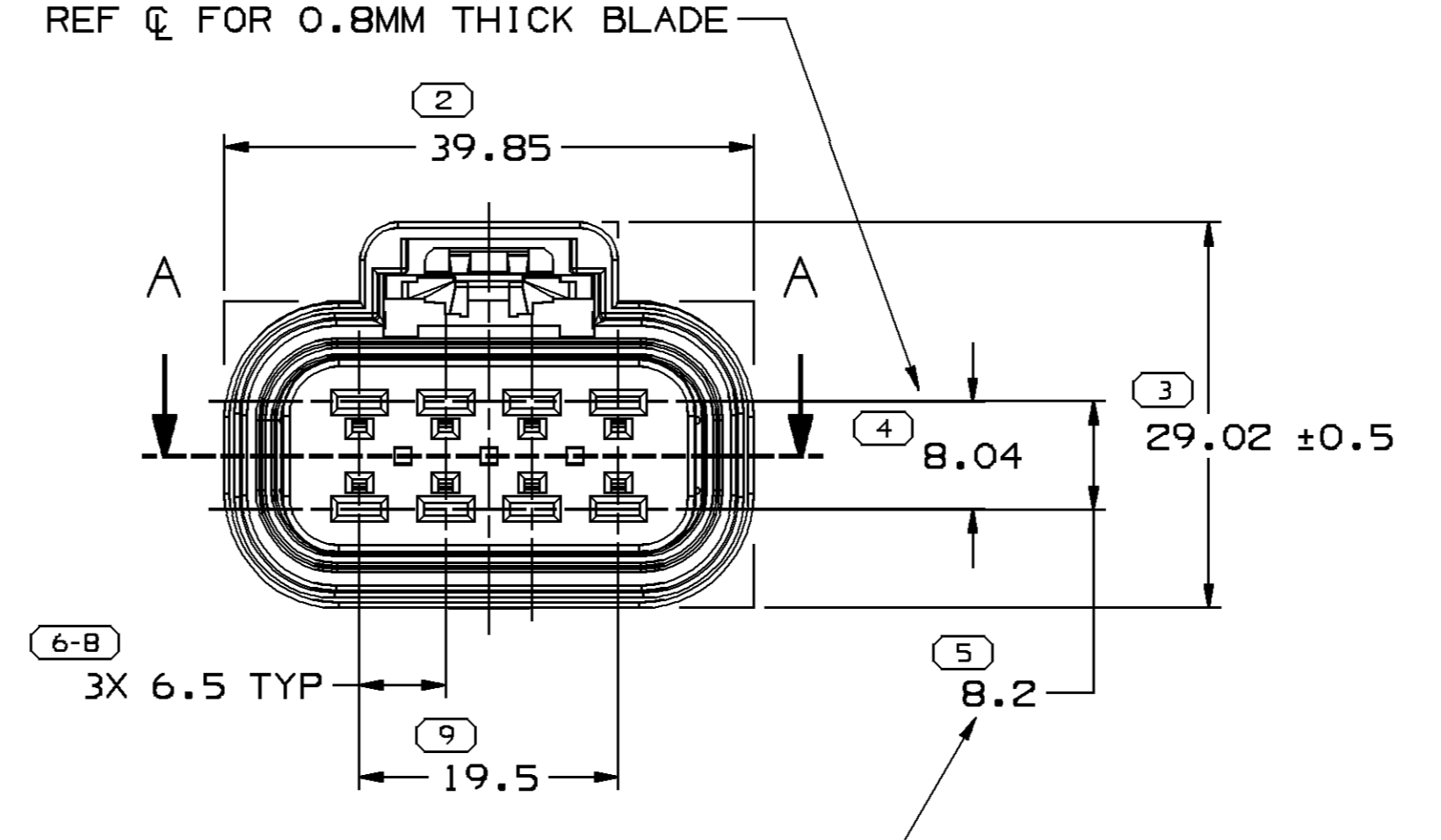
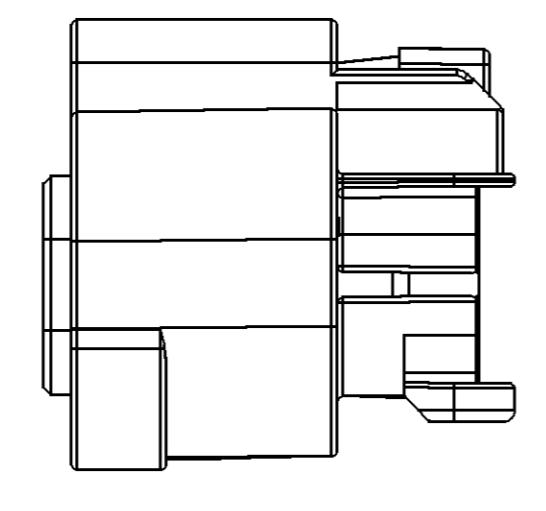
SECTION A-A



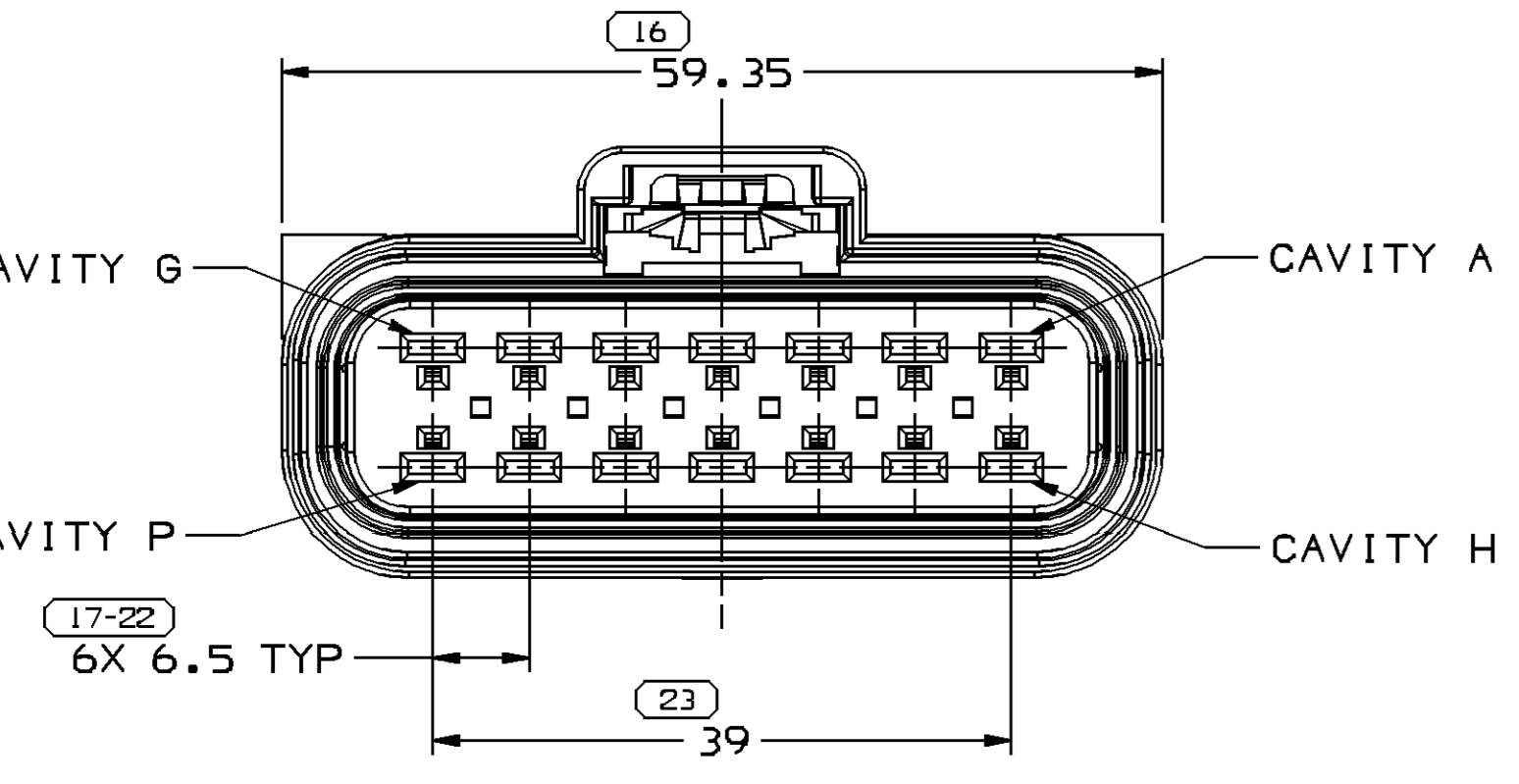
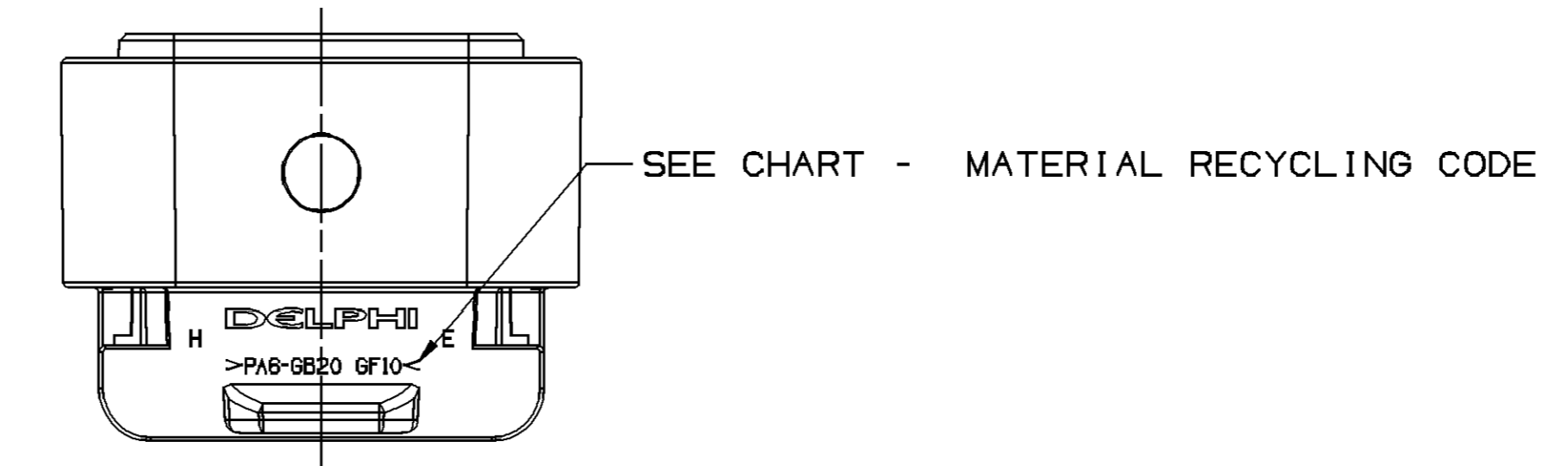
TYPE 112
SAME AS TYPE 108
EXCEPT AS SHOWN



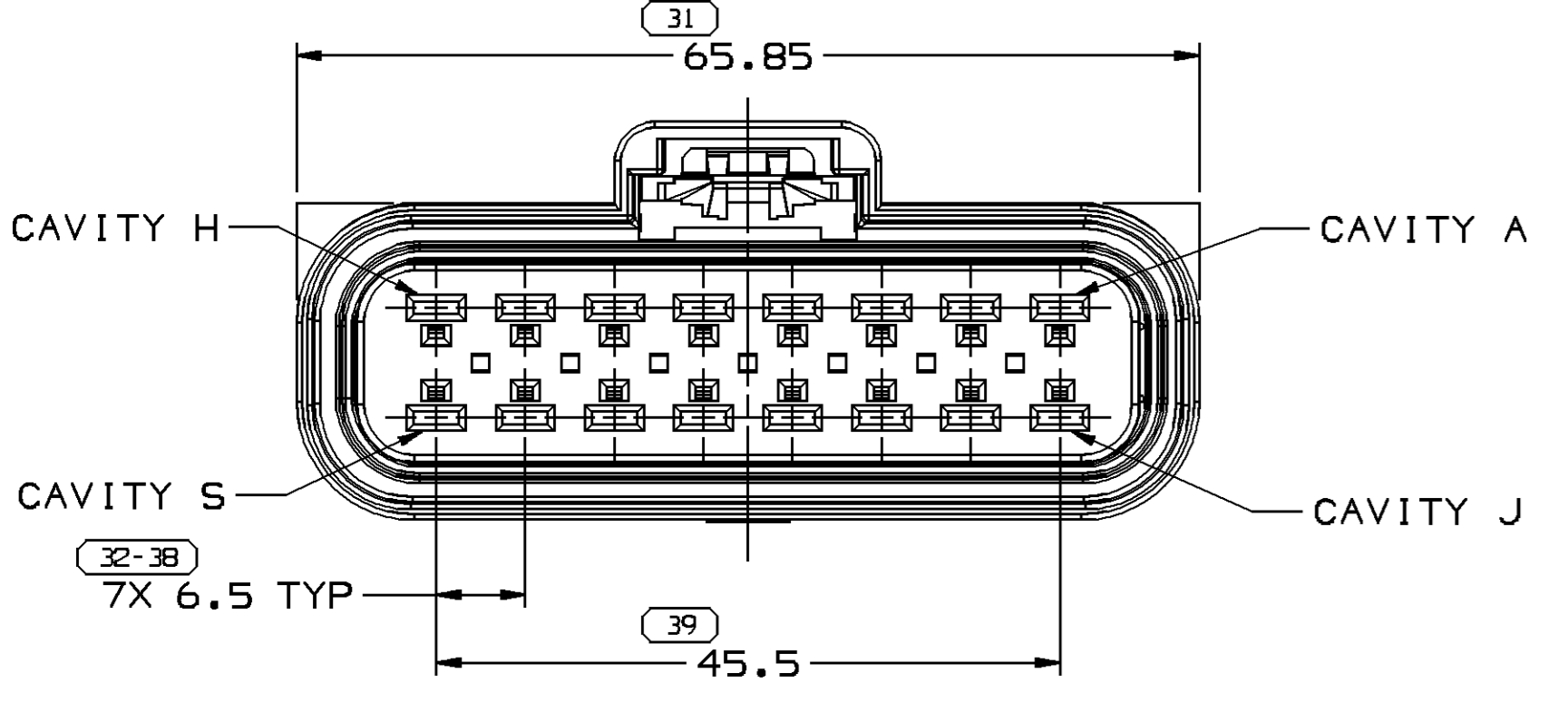
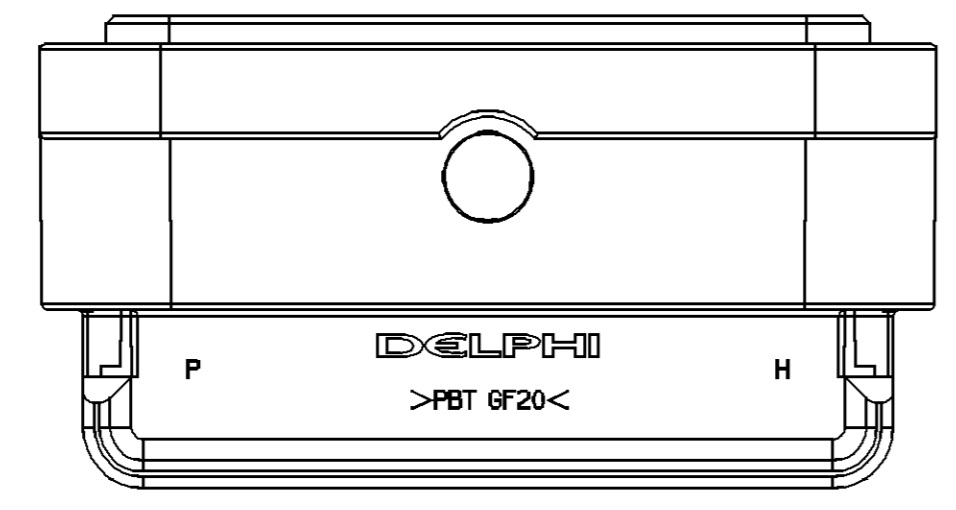
TYPE 214
SAME AS TYPE 114
EXCEPT AS SHOWN



TYPE 108



TYPE 114
SAME AS TYPE 108
EXCEPT AS SHOWN



TYPE 116
SAME AS TYPE 108
EXCEPT AS SHOWN

NOTES

- UNLESS OTHERWISE SPECIFIED AND/OR INDICATED: DIMENSIONS ARE TO FACE OF VIEW SHOWN AND AUTOMATICALLY ROUNDED BY COMPUTER FOR INSPECTION. (SEE MATH MODEL FOR PRECISE DIMENSIONS.) FOR ALL OTHER DIMENSIONS NOT SHOWN BUT REQUIRED FOR TOOL BUILD, SEE MATH MODEL FOR PRECISE TOOL PATH DATA.
- REFERENCE MATING COMPONENTS OR EQUIVALENT: ASSEMBLY CONNECTOR SEE CHART
- THIS PART ACCEPTS THE FOLLOWING COMPONENTS OR EQUIVALENT:
 - TERMINAL 15304720
 - CABLE SEAL 15366067
 - CONNECTOR POSITION ASSURANCE LOCK 15317832
 - CONNECTOR SYTEM ENVIRONMENTAL TEST FLOWCHART (PRESSURE/VACUUM AND SUBMERSTION).
 - TERMINAL POSITION ASSURANCE LOCK SEE CHART
- FOR MATING CONFIGURATION REQUIREMENTS SEE CHART
- SEALING CODE 4 - DESIGN WILL MEET REQUIREMENTS OF SAE/USCAR-2 CONNECTOR SYTEM ENVIRONMENTAL TEST FLOWCHART (PRESSURE/VACUUM AND SUBMERSTION).
- ALL ASSEMBLIES WILL EXCEED BON MATING FORCE.

PART NO	REV	N/P	STATUS	TYPE	CONN	MATERIAL RECYCLING CODE	COLOR	PLR	CONN SEAL	MATING CONN ASM	MATING TPA	CONFIG REQ INFORMATION	REPLACED BY
13540547	01	AB		214	13540546	PBT-0F20	BLACK		15326919 / ID406343	15326920 / ID406344	15326922 / ID406342		15336319
13538370	01	AA		208	13534968	PBT-0F20	BLACK		15326652 / ID406319	15326653 / ID406320	15326655 / ID406321	15430896	15336316
15326917 / ID406341	02	AC		114	15326916 / ID406345	PA6-GB20 GF10	BLACK		15326919 / ID406343	15326920 / ID406344	15326922 / ID406342		15336319
15326910 / ID406335	02	AC		112	15326909 / ID406339	PA6-GB20 GF10	BLACK		15326912 / ID406337	15326913 / ID406338	15326915 / ID406336		15336318
15326666 / ID406349	02	AC		116	15326662 / ID406350	PA6-GB20 GF10	BLACK		15326664 / ID406352	15326665 / ID406353	15326667 / ID406347		15336320
15326660 / ID406334	02	AC		110	15326656 / ID406328	PA6-GB20 GF10	BLACK		15326658 / ID406330	15326659 / ID406332	15326661 / ID406329	15430900	15336317
15326654 / ID406322	02	AD	RESTRICTED	108	15326650 / ID406317	PA6-GB20 GF10	BLACK		15326652 / ID406319	15326653 / ID406320	15326655 / ID406321	15430896	15336316
													13538370

DIMENSIONAL RANGE (MM)		TOLERANCE	
FROM	TO	±	ANGULAR TOLERANCE 2°
> 0	> 30	±0.15	
> 30	> 70	±0.2	
> 70	> 100	±0.3	
> 100	> 150	±0.4	
> 150	> 200	±0.5	
> 200	> 250	±0.6	
> 250	> 300	±0.7	
> 300	> 400	±0.8	

DELPHI
DELPHI PACKARD ELECTRIC SYSTEMS
WARREN, OH

DR B. NAGY	DATE 09JL97
APV01 M. MCCALL	09JL97
APV02 M. MCCALL	09JL97
APV03 G.A. NORLING	03OC97
APV04	
SUBSTANCES OF CONCERN AND RECYCLED CONTENT PER DELPHI 10949001	

DRAWING NAME: TAXI ASM CONN F 6T 2B0 SLD
DRAWING NUMBER: 15326672

SCALE: 2:1
SHEET NO: 1 OF 1
REV: 1 R 08