



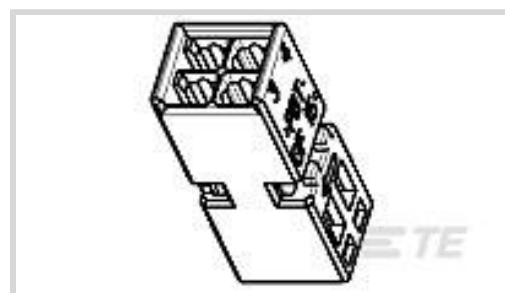
AMP | MQS

TE Internal #: 1394007-1

Housing for Female Terminals, Wire-to-Device / Wire-to-Board / Wire-to-Wire, 4 Position, .1 in [2.54 mm] Centerline, Black, Signal, MQS

[View on TE.com >](#)

Connectors > Automotive Connectors > Connector Housings > MQS, CONNECTOR HOUSING



Connector & Housing Type: **Housing for Female Terminals**

Mating Tab Width: **.63 mm [.025 in, .059 in]**

Connector System: **Wire-to-Board, Wire-to-Device, Wire-to-Wire**

Number of Positions: **4**

Centerline (Pitch): **2.54 mm [.1 in]**

[All MQS, CONNECTOR HOUSING \(557\)](#)

Features

Product Type Features

Connector & Housing Shape	Rectangular
Connector & Housing Type	Housing for Female Terminals
Connector System	Wire-to-Board, Wire-to-Device, Wire-to-Wire
Sealable	No
Hybrid Connector	No
Primary Locking Feature	On the Terminal

Configuration Features

Number of Positions	4
Number of Rows	2

Body Features

Cable Exit Angle	180°
Body Material	PBT GF
Primary Product Color	Black

Contact Features

Contact Size	.63mm
Contact Type	Receptacle



Mating Tab Width	.63 mm[.025 in][.059 in]
------------------	--------------------------

Mechanical Attachment

Mounting Feature	Without
Terminal Position Assurance	Yes
Strain Relief	Without
Mating Alignment Type	Polarized
Mating Alignment	With
Connector Mounting Type	Cable Mount (Free-Hanging)

Housing Features

Centerline (Pitch)	2.54 mm[.1 in]
--------------------	----------------

Dimensions

Product Width	7 mm[.276 in]
Product Length	5.95 mm[.234 in]
Product Height	16.9 mm[.665 in]
Row-to-Row Spacing	5.5 mm[.217 in]

Operation/Application

Circuit Application	Signal
---------------------	--------

Packaging Features

Packaging Method	Box
------------------	-----

Other

Serviceable	No
Connector Position Assurance Capable	No

Product Compliance

[For compliance documentation, visit the product page on TE.com>](#)

EU RoHS Directive 2011/65/EU	Compliant
EU ELV Directive 2000/53/EC	Compliant
China RoHS 2 Directive MIIT Order No 32, 2016	No Restricted Materials Above Threshold
EU REACH Regulation (EC) No. 1907/2006	Current ECHA Candidate List: JAN 2022 (223) Candidate List Declared Against: JAN 2022 (223) Does not contain REACH SVHC



Halogen Content	Low Halogen - Br, Cl, F, I < 900 ppm per homogenous material. Also BFR/CFR/PVC Free
Solder Process Capability	Not applicable for solder process capability


Product Compliance Disclaimer

This information is provided based on reasonable inquiry of our suppliers and represents our current actual knowledge based on the information they provided. This information is subject to change. The part numbers that TE has identified as EU RoHS compliant have a maximum concentration of 0.1% by weight in homogenous materials for lead, hexavalent chromium, mercury, PBB, PBDE, DBP, BBP, DEHP, DIBP, and 0.01% for cadmium, or qualify for an exemption to these limits as defined in the Annexes of Directive 2011/65/EU (RoHS2). Finished electrical and electronic equipment products will be CE marked as required by Directive 2011/65/EU. Components may not be CE marked. Additionally, the part numbers that TE has identified as EU ELV compliant have a maximum concentration of 0.1% by weight in homogenous materials for lead, hexavalent chromium, and mercury, and 0.01% for cadmium, or qualify for an exemption to these limits as defined in the Annexes of Directive 2000/53/EC (ELV). Regarding the REACH Regulation, the information TE provides on SVHC in articles for this part number is based on the latest European Chemicals Agency (ECHA) 'Guidance on requirements for substances in articles' posted at this URL: <https://echa.europa.eu/guidance-documents/guidance-on-reach>


Compatible Parts



TE Part # CAT-M8793-T273
MQS, RECEPTACLE AND TAB



TE Part # 1-1355639-1
LWL/MQS SCHUTZKAPPE




TE Part # 2-1355639-1
LWL/MQS SCHUTZKAPPE

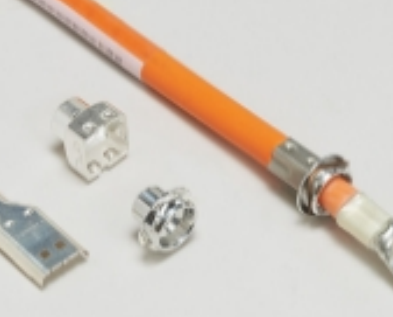


TE Part # 9-1355639-1
LWL/MQS SCHUTZKAPPE

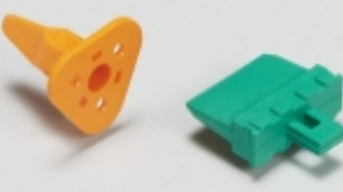
Also in the Series | MQS




Automotive Connector Caps & Covers (131)



Automotive Connector EMC Shielding (2)




Automotive Connector Locks & Position Assurance(29)




Automotive Housings(489)




Automotive Seals & Cavity Plugs(26)



Automotive Terminals(96)



Insertion & Extraction Tools(42)

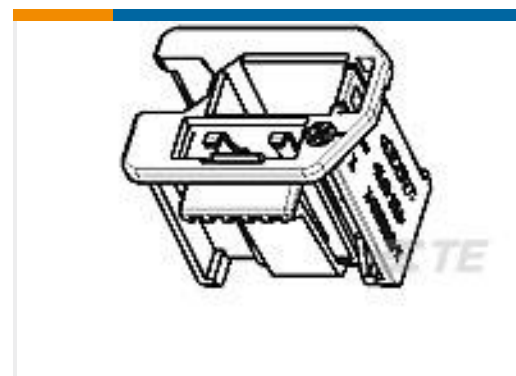


Other Automotive Connector Accessories(13)



PCB Headers & Receptacles(207)

Customers Also Bought

TE Part #1452299-1
FEM HSG INLI.ASY12PTE Part #282106-1
AMP SUPERSEAL 1.5MM,
CONNECTOR HOUSINGTE Part #1743354-2
TIMER, CONNECTOR HOUSINGTE Part #282404-1
AMP SUPERSEAL 1.5MM,
RECEPTACLE AND TABTE Part #1062-16-0122
SOC, SF, SIZE 16, 14-18, NI/SNTE Part #1355734-1
INLINE CONNECTORTE Part #1-1355639-1
LWL/MQS SCHUTZKAPPE

Documents

Product Drawings

4POS MQS REC

English

CAD Files

3D PDF

English

Customer View Model

[ENG_CVM_1394007-1_B1.2d_dxf.zip](#)

English

Customer View Model

[ENG_CVM_1394007-1_B1.3d_igs.zip](#)

English

Customer View Model

[ENG_CVM_1394007-1_B1.3d_stp.zip](#)

English

By downloading the CAD file I accept and agree to the [Terms and Conditions](#) of use.



Datasheets & Catalog Pages

[Micro Quadlok Interconnection System \(MQS\)](#)

English

Product Specifications

[Connector with optical contacts \(MOST\) and electrical contacts](#)

English

[Application Specification](#)

English