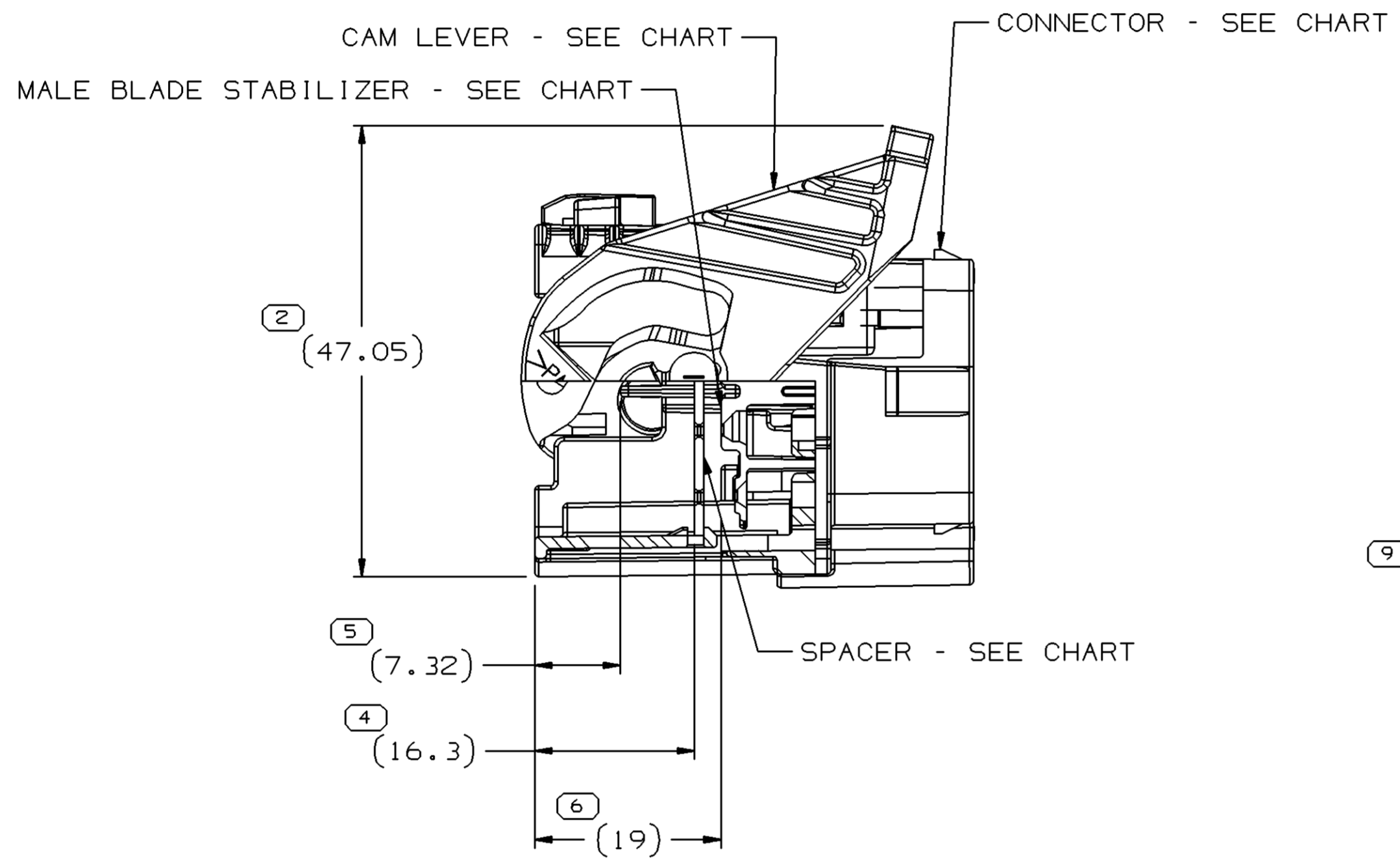
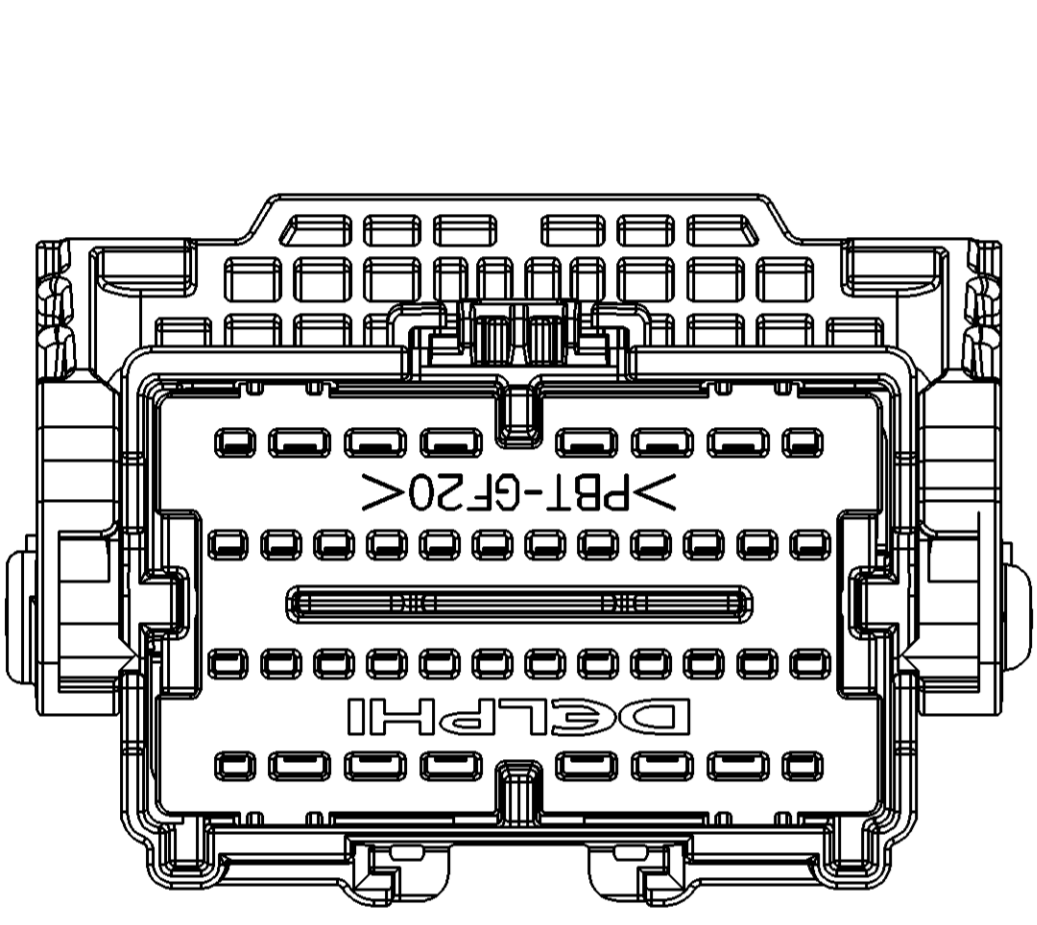
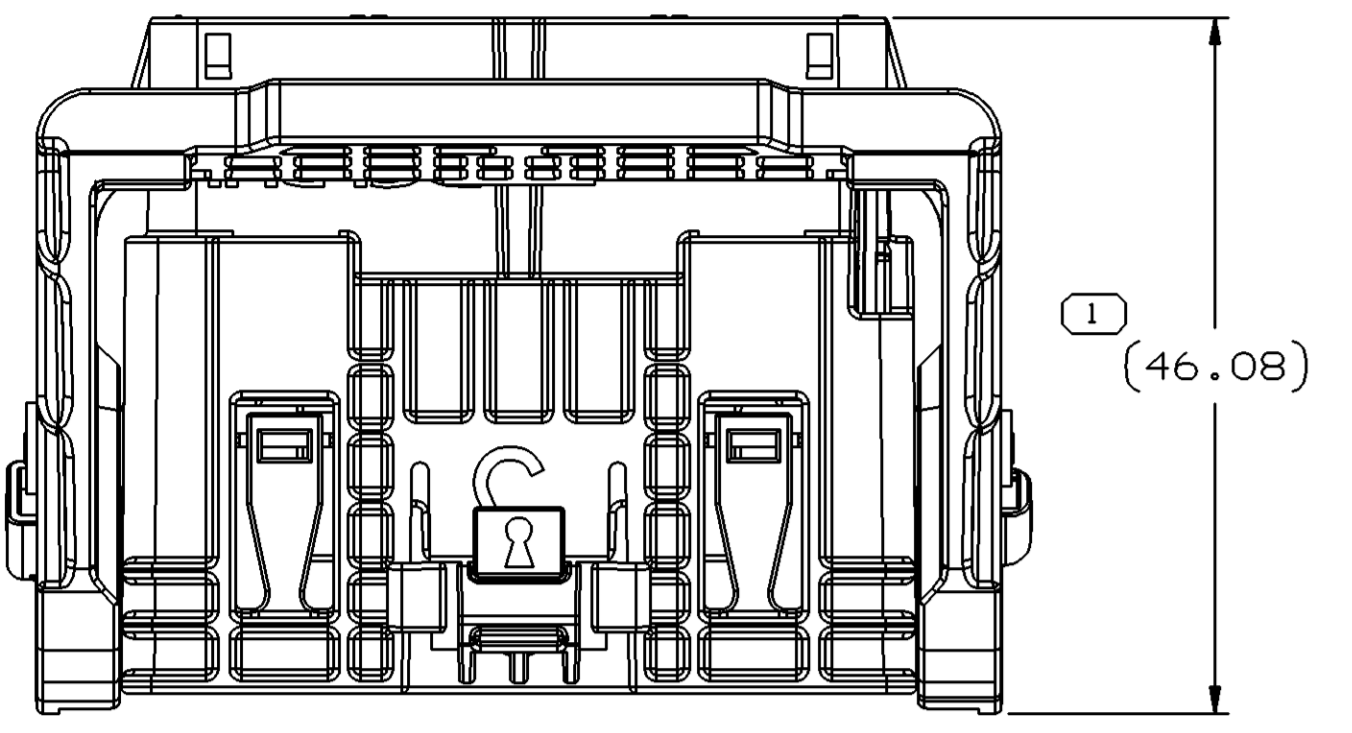
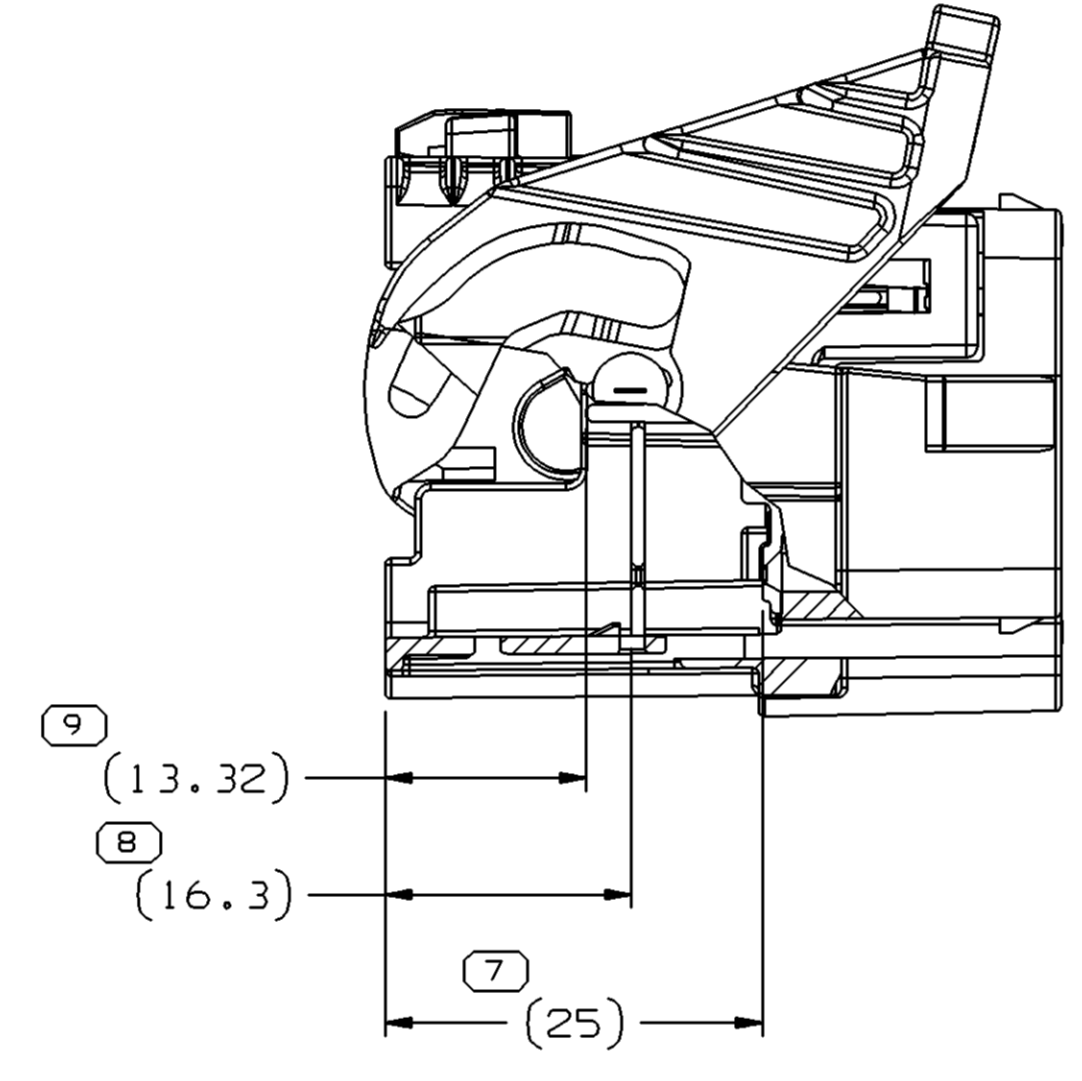


SYMBOL DEFINITION		MISSING SYMBOLS	
A DIMENSION WITHOUT AN INSPECTION REPORT SYMBOL DOES NOT REQUIRE INSPECTION. IT MAY BE CONTROLLED ON THE INDIVIDUAL COMPONENT DRAWING.	TOTAL NO OF INSPECTIONS REQUIRED	NO MISSING SYMBOL NUMBER	
	89		
	LAST NO. USED	33	

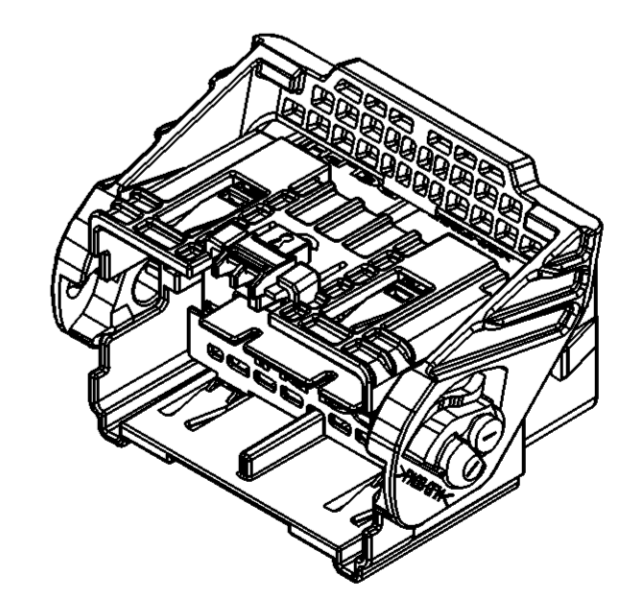
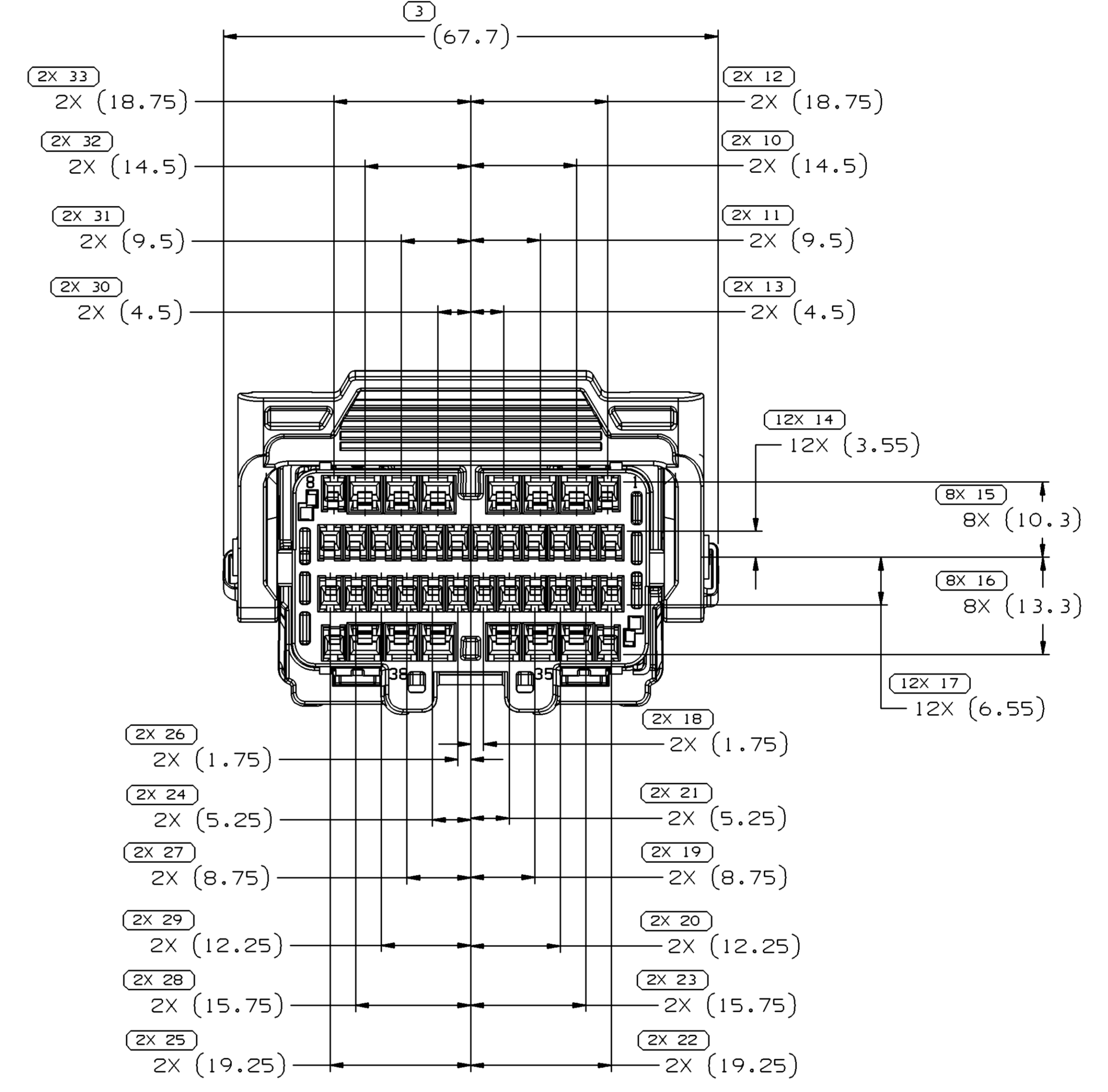
DWO STATUS					REVISION HISTORY			AUTH	DR	APVD	APVD
DATE	STG	REV	W/P	CHG	ZONE						
17FE05	R	01	-	-		RELEASED		263908	HAM	HAM	MDM
18MY05	R	01	AA	-		UPDATED POM ATTRIBUTES		268308	HAM	HAM	MDM



DELIVERY CONDITION TO WIRE ASSEMBLY PLANT
SPACER PRE-STAGED POSITION BEFORE TERMINALS



DELIVERY CONDITION TO VEHICLE PLANT
SPACER FINAL POSITION AFTER TERMINALS



- NOTES
- UNLESS OTHERWISE SPECIFIED AND/OR INDICATED:
DIMENSIONS ARE TO FACE OF VIEW SHOWN AND AUTOMATICALLY ROUNDED BY COMPUTER FOR INSPECTION (SEE MATH MODEL FOR PRECISE DIMENSIONS). FOR ALL OTHER DIMENSIONS NOT SHOWN BUT REQUIRED FOR TOOL BUILD, SEE MATH MODEL FOR PRECISE TOOL PATH DATA.
 - SEALING CODE 0 - UNSEALED
 - THIS PART ACCEPTS THE FOLLOWING COMPONENTS OR EQUIVALENT:
ASSEMBLY 13521076
CAVITIES 1,8,9-33 & 40 TO ACCEPT 15324953 (YAZAKI P/N 7114-4100-02) TERMINAL OR EQUIVALENT.
MAX INSULATION CRIMP MUST BE LESS THAN 2.9MM HIGH AND 2.9MM WIDE.
MAX CONDUCTOR (CORE) CRIMP SIZE MUST BE LESS THAN 1.7MM HIGH AND 2.55MM WIDE.
CAVITIES 2-7 & 33-39 TO ACCEPT 15409758 (TYCO/AMP P/N 1326029-3) TERMINAL OR EQUIVALENT.
MAX INSULATION CRIMP MUST BE LESS THAN 4MM HIGH AND 4MM WIDE.
MAX CONDUCTOR (CORE) CRIMP SIZE MUST BE LESS THAN 2MM HIGH AND 3.55MM WIDE.

13521075	13521013	15489505	15489507	15489504
PART NO	CONNECTOR	SPACER	LEVER	STABILIZER

DIMENSIONAL RANGE (MM)		CHART ET	
FROM	TO	1	2
> 0	> 20	> 70	> 100
> 20	> 30	> 100	> 150
> 30	> 40	> 150	> 200
> 40	> 50	> 200	> 250
> 50	> 60	> 250	> 300
> 60	> 70	> 300	> 400
TOLERANCE UNLESS OTHERWISE SPECIFIED		ANGULAR TOLERANCE 12°	
±0.15	±0.2	±0.3	±0.4
±0.5	±0.6	±0.8	±1
±1	±1.2		

DWO TYPE		PART DRAWING	
STYLE		DISTR CODE	D
VOLUME (CM³)			
UNLESS OTHERWISE SPECIFIED			
THIS DOCUMENT IS IN ACCORDANCE WITH ASME Y14.5M-1994 AS MODIFIED BY THE ON-SIGNAL DIMENSIONING AND TOLERANCING ADDENDUM (2003). SEPARATE PATTERNS OF FEATURES MAY BE OBTAINED SEPARATELY. REWORK OF DATUM REFERENCES.			
ALL DIMENSIONS ARE IN MILLIMETERS			
REFERENCE	15437379		
THIRD ANGLE PROJECTION	DO NOT SCALE		
USE MATH DATA	UNGRAPHS		

DELPHI
DELPHI PACKARD ELECTRIC SYSTEMS
WARREN, OH

DR	DATE
APVD1 HOLLY A. MEEKER	17FE05
APVD2 HOLLY A. MEEKER	17FE05
APVD3 M.D. MCFOWEN	18FE05
APVD4	
APVD5	

SUBSTANCES OF CONCERN AND RECYCLED CONTENT PER DELPHI 10949001

DRAWING NAME: ASM CONN 40 M NAT

DRAWING NUMBER: 13521075

SIZE A0 SCALE 2:1 FRAME NO 1 OF 1 SHEET NO 1 OF 1 STG REV W/P 1 R 01 AA