

1318985-3 ✓ ACTIVE

[Dynamic Series](#) | [Dynamic 5000 Series](#)

TE Internal #: 1318985-3

Connector Contact, Receptacle, Component-to-Wire, 20 – 16 AWG

Wire Size, .5 – 1.42 mm<sup>2</sup> Wire Size, Gold, Reel & Box, Wire & Cable,

Dynamic 5000 Series

[View on TE.com >](#)



[Connectors](#) > [PCB Connectors](#) > [Wire-to-Board Connectors](#) > [Wire-to-Board Connector Contacts](#) >

Contact: [Component To Wire ; 20-45A](#) › [20-8 wire size](#)



Contact Type: **Receptacle**

Connector System: **Component-to-Wire**

Wire Size: **.5 – 1.42 mm<sup>2</sup>**

Contact Mating Area Plating Material: **Gold**

[All Contact: Component To Wire ; 20-45A › 20-8 wire size \(43\)](#)

## Features

### Product Type Features

Connector System	Component-to-Wire
Connector & Contact Terminates To	Wire & Cable

### Contact Features

Mating Tab Width	6.4 mm[.25 in]
Mating Tab Thickness	1 mm[.039 in]
Contact Type	Receptacle
Contact Mating Area Plating Material	Gold
Contact Current Rating (Max)	30 A

### Dimensions

Wire Size	.5 – 1.42 mm <sup>2</sup>
-----------	---------------------------

### Usage Conditions

Operating Temperature Range	-55 – 105 °C[-67 – 221 °F]
-----------------------------	----------------------------

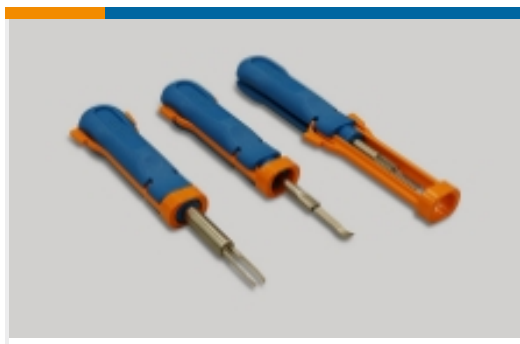
### Operation/Application

Circuit Application	Power
---------------------	-------

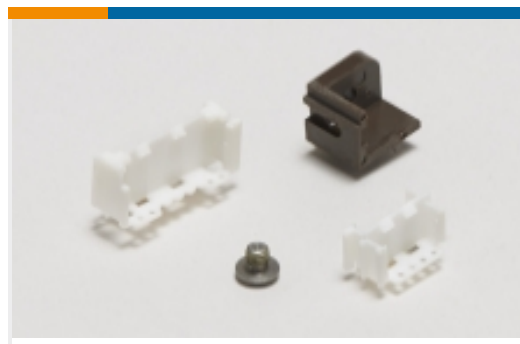
### Packaging Features

--	--

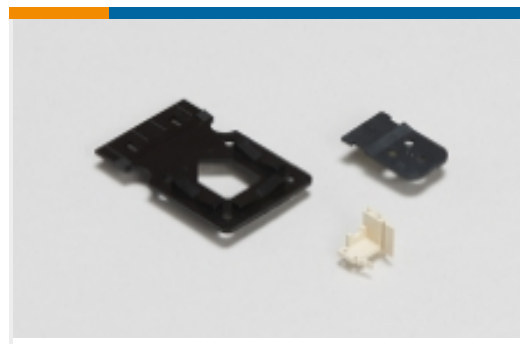




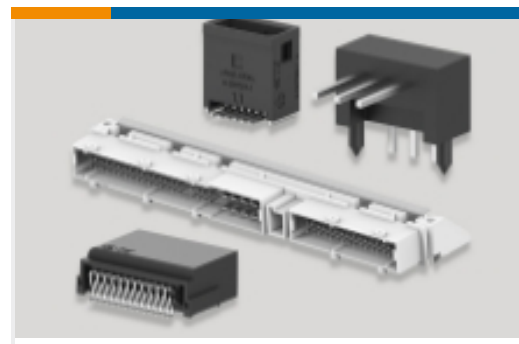
Insertion & Extraction Tools(1)



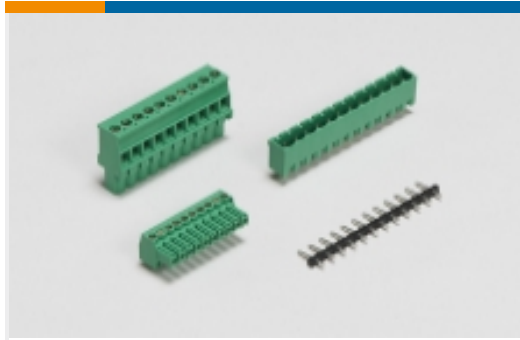
PCB Connector Mounting(3)



PCB Connector Strain Relief(2)



PCB Headers & Receptacles(59)



PCB Terminal Blocks(6)



Wire-to-Board Connector Assemblies & Housings(71)

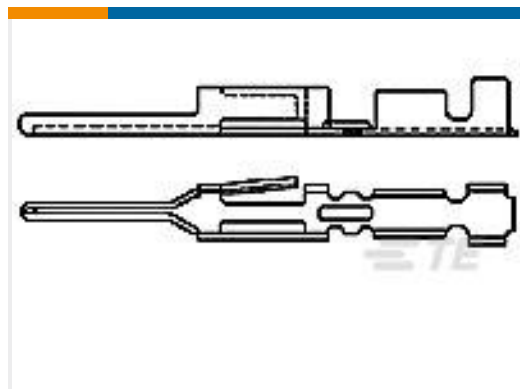


Wire-to-Board Connector Contacts(43)

## Customers Also Bought



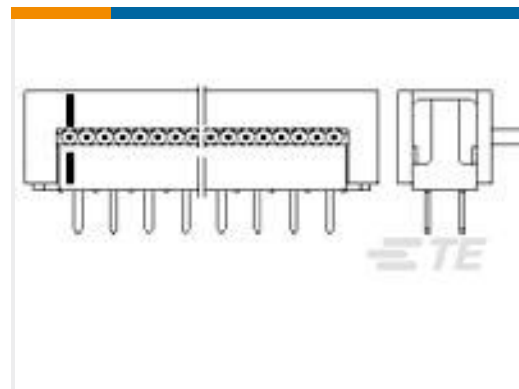
TE Part #969047-3  
MODU CRIMP CONTACT



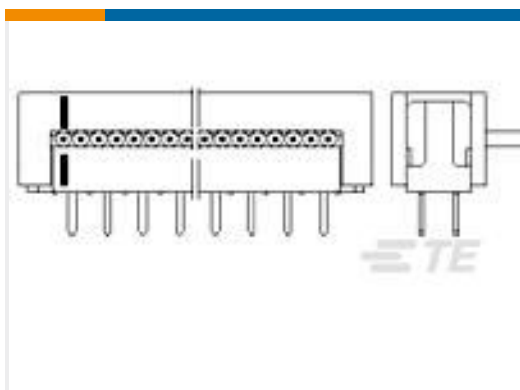
TE Part #163618-1  
CIS COSI PIN POST



TE Part #1991234-1  
SHIELD BODY & WAVE SPRING ASSY



TE Part #6-216791-0  
AMP LATCH D/P ASSY



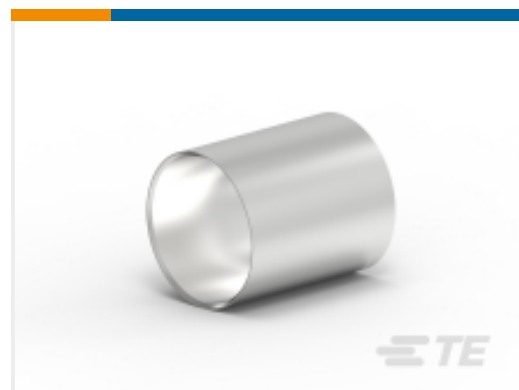
TE Part #6-216792-4  
AMP LATCH ASSY



TE Part #964976-6  
MODU2MM BU-GEH 2X6P



TE Part #964976-7  
MODU2MM BU-GEH 2X7P



TE Part #1991231-2  
EMC CRIMP SLEEVE. IPT 16-50mms



TE Part #5750340-1  
Mini DIN, 8 pos, Vertical, Shield

## Documents



## Product Drawings

### DYNAMIC D-5 REC CONT SS FORM A

English

---

## CAD Files

### 3D PDF

3D

### Customer View Model

[ENG\\_CVM\\_CVM\\_1318985-3\\_H.2d\\_dxf.zip](#)

English

### Customer View Model

[ENG\\_CVM\\_CVM\\_1318985-3\\_H.3d\\_igs.zip](#)

English

### Customer View Model

[ENG\\_CVM\\_CVM\\_1318985-3\\_H.3d\\_stp.zip](#)

English

By downloading the CAD file I accept and agree to the [Terms and Conditions](#) of use.

---

## Datasheets & Catalog Pages

### 1-1773732-4\_DYNAMIC\_SERIES\_CATALOG\_ENGLISH

Japanese

### 1-1773732-4\_DYNAMIC\_SERIES\_CATALOG\_ENGLISH

English

---

## Product Specifications

### Application Specification

English

---

## Instruction Sheets

### Instruction Sheet (non U.S.)

English

### Extraction Tool for AMP Dynamic D-5000 Series

English

### Instruction Sheet (non U.S.)

Japanese

---

## Agency Approvals

### TUV Certificate

English

### TUV Certificate

English