

1394522-2 ✓ ACTIVE

AMP | Timer Connector System

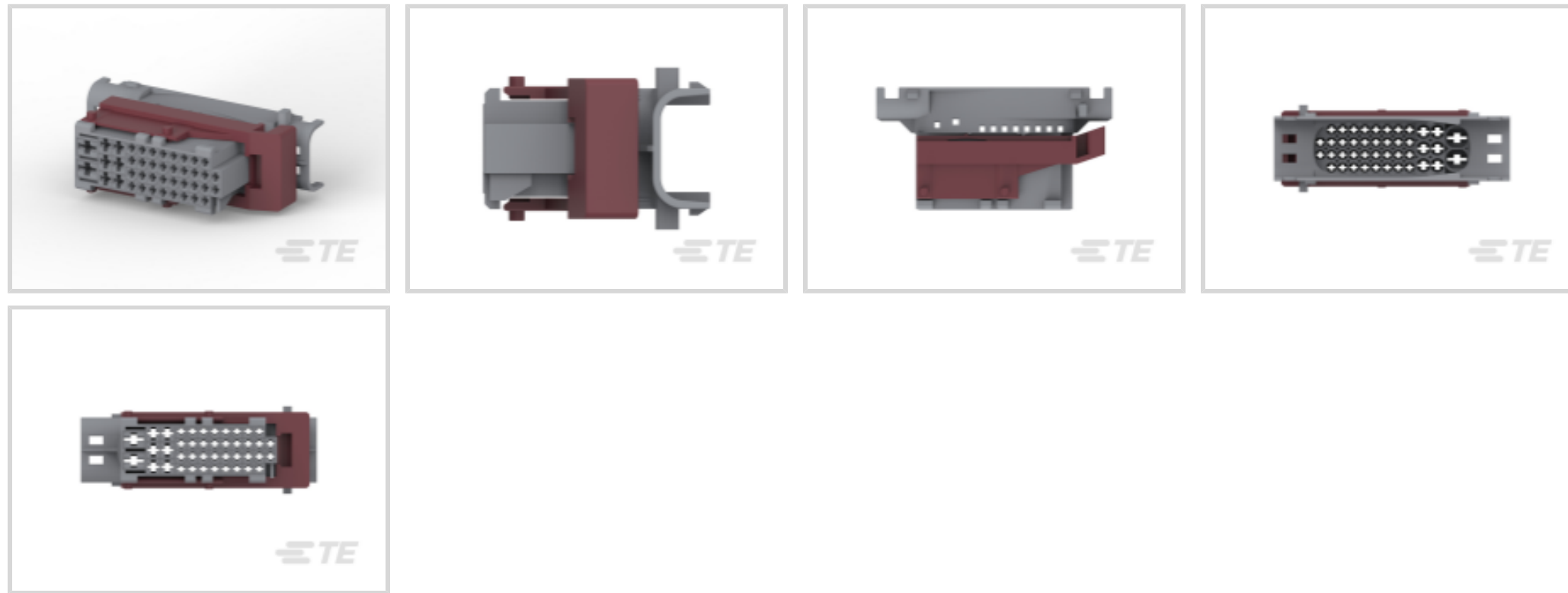
TE Internal #: 1394522-2

Housing for Female Terminals, Wire-to-Wire, 42 Position, .157 in [4 mm] Centerline, Sealable, Gray, Signal, Timer Connector System

[View on TE.com >](#)



Connectors > Automotive Connectors > Connector Housings > TIMER, CONNECTOR HOUSING



Connector & Housing Type: **Housing for Female Terminals**

Mating Tab Width: **1.6 mm, 2.8 mm, 5.8 mm [ .063 in, .11 in, .228 in ]**

Connector System: **Wire-to-Wire**

Number of Positions: **42**

Centerline (Pitch): **4 mm [ .157 in ]**

[All TIMER, CONNECTOR HOUSING \(543\)](#)

## Features

### Product Type Features

Connector & Housing Shape	Rectangular
Connector & Housing Type	Housing for Female Terminals
Connector System	Wire-to-Wire
Sealable	Yes
Hybrid Connector	Yes
Primary Locking Feature	On the Terminal

### Configuration Features

Number of Positions	42
---------------------	----

### Body Features

Cable Exit Angle	90°
Body Material	PBT GF
Primary Product Color	Gray
Connector Code	2



### Contact Features

Contact Size	1.6mm, 2.8mm, 5.8mm
Contact Type	Receptacle
Mating Tab Width	1.6 mm, 2.8 mm, 5.8 mm [.063 in][.11 in][.228 in]

### Mechanical Attachment

Mounting Feature	Without
Terminal Position Assurance	Yes
Strain Relief	With
Mating Alignment Type	Keyed
Mating Alignment	With
Connector Mounting Type	Cable Mount (Free-Hanging)

### Housing Features

Centerline (Pitch)	4 mm [.157 in]
--------------------	----------------

### Dimensions

Product Width	43.5 mm [1.712 in]
Product Length	101.55 mm [3.996 in]
Product Height	27.8 mm [1.094 in]
Row-to-Row Spacing	5.5 mm [.217 in]

### Usage Conditions

Operating Temperature (Max)	70 °C, 75 °C, 80 °C, 85 °C [158 °F][167 °F][176 °F][185 °F]
Operating Temperature Range	-40 – 85 °C [-40 – 185 °F]

### Operation/Application

Circuit Application	Signal
---------------------	--------

### Industry Standards

Degree of Protection	IP67
UL Flammability Rating	UL 94HB

### Packaging Features

Packaging Method	Carton
------------------	--------

### Other

Serviceable	Yes
-------------	-----



Connector Position Assurance Capable

No

### Product Compliance

[For compliance documentation, visit the product page on TE.com>](#)

EU RoHS Directive 2011/65/EU	Compliant
EU ELV Directive 2000/53/EC	Compliant
China RoHS 2 Directive MIIT Order No 32, 2016	No Restricted Materials Above Threshold
EU REACH Regulation (EC) No. 1907/2006	Current ECHA Candidate List: JAN 2022 (223) Candidate List Declared Against: JAN 2022 (223) Does not contain REACH SVHC
Halogen Content	BFR/CFR/PVC Free, but Br/Cl >900 ppm in other sources.
Solder Process Capability	Not applicable for solder process capability

#### Product Compliance Disclaimer

This information is provided based on reasonable inquiry of our suppliers and represents our current actual knowledge based on the information they provided. This information is subject to change. The part numbers that TE has identified as EU RoHS compliant have a maximum concentration of 0.1% by weight in homogenous materials for lead, hexavalent chromium, mercury, PBB, PBDE, DBP, BBP, DEHP, DIBP, and 0.01% for cadmium, or qualify for an exemption to these limits as defined in the Annexes of Directive 2011/65/EU (RoHS2). Finished electrical and electronic equipment products will be CE marked as required by Directive 2011/65/EU. Components may not be CE marked. Additionally, the part numbers that TE has identified as EU ELV compliant have a maximum concentration of 0.1% by weight in homogenous materials for lead, hexavalent chromium, and mercury, and 0.01% for cadmium, or qualify for an exemption to these limits as defined in the Annexes of Directive 2000/53/EC (ELV). Regarding the REACH Regulation, the information TE provides on SVHC in articles for this part number is based on the latest European Chemicals Agency (ECHA) 'Guidance on requirements for substances in articles' posted at this URL: <https://echa.europa.eu/guidance-documents/guidance-on-reach>

### Compatible Parts



TE Part # CAT-T4827-T273  
TIMER, RECEPTACLE AND TAB



TE Part # 1355469-2  
1,6/2,8/5,8TAB-GH42



TE Part # 2-928966-2  
STD PW TIMER CONTACT

### Also in the Series | [Timer Connector System](#)



Automotive Connector Caps & Covers (11)



Automotive Connector Locks & Position Assurance(16)



Automotive Housings(219)



Automotive Seals & Cavity Plugs(31)



Automotive Terminals(140)



Crimp Terminal Housings(13)



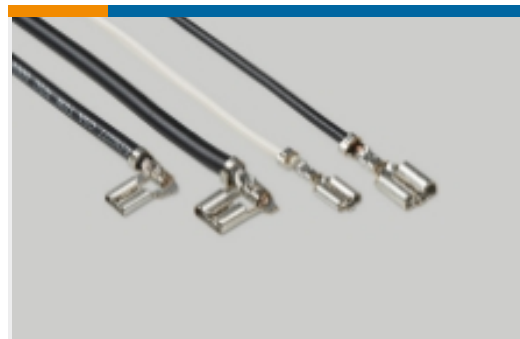
Insertion & Extraction Tools(20)



Other Automotive Connector Accessories(1)



PCB Headers & Receptacles(78)



Quick Disconnects(4)

## Customers Also Bought



TE Part #1011-331-0205  
BKSHL, 2P, BLK, PLG, RA, NW 8.5/10



TE Part #160917-2  
FF 250 REC 1-2.5MM2 TPBR



TE Part #170037-1  
187 FASTON,REC.,20-16 AWG,BR



TE Part #1028-005-0305  
BKSHL, 3P, BLK, PLG, ST, NW 8.5



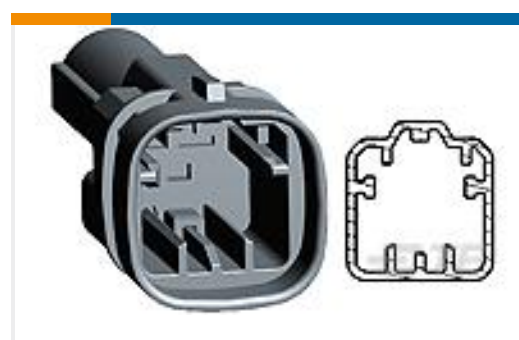
TE Part #DTM04-2P-EE03  
DEUTSCH DTM HOUSINGS



TE Part #DTHD06-1-4S-E003  
PLG, 1P, BLK, N, SIZE 4, CAP



TE Part #DT06-08SB-CE06  
PLG, 8P, BLK, E, SEAL RET, B



TE Part #1544606-1  
TAB HOUSING, 8MM NG1, 1 WAY



## Documents

### Product Drawings

[MIXED SOCKET HOUSING, 42POS. ,](#)

English

### CAD Files

Customer View Model

[ENG\\_CVM\\_CVM\\_1394522-2\\_E.2d\\_dxf.zip](#)

English

[3D PDF](#)

3D

Customer View Model

[ENG\\_CVM\\_CVM\\_1394522-2\\_E.3d\\_igs.zip](#)

English

Customer View Model

[ENG\\_CVM\\_CVM\\_1394522-2\\_E.3d\\_stp.zip](#)

English

By downloading the CAD file I accept and agree to the [Terms and Conditions](#) of use.

### Datasheets & Catalog Pages

[Timer Interconnection System](#)

English

### Product Specifications

[INTERFACE DRAWING FOR 2 POS. CONNECTOR WITH TAB 6.3x0.8](#)

English

[Application Specification](#)

English