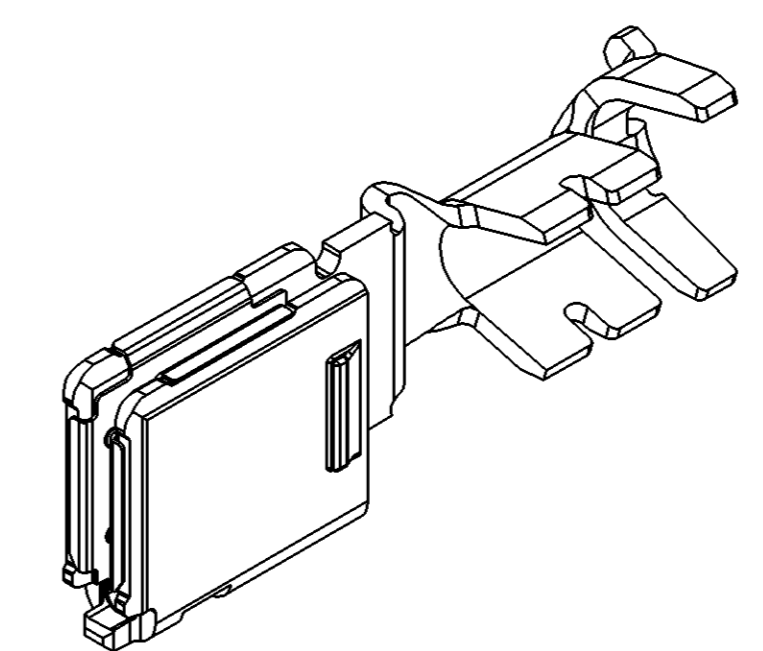
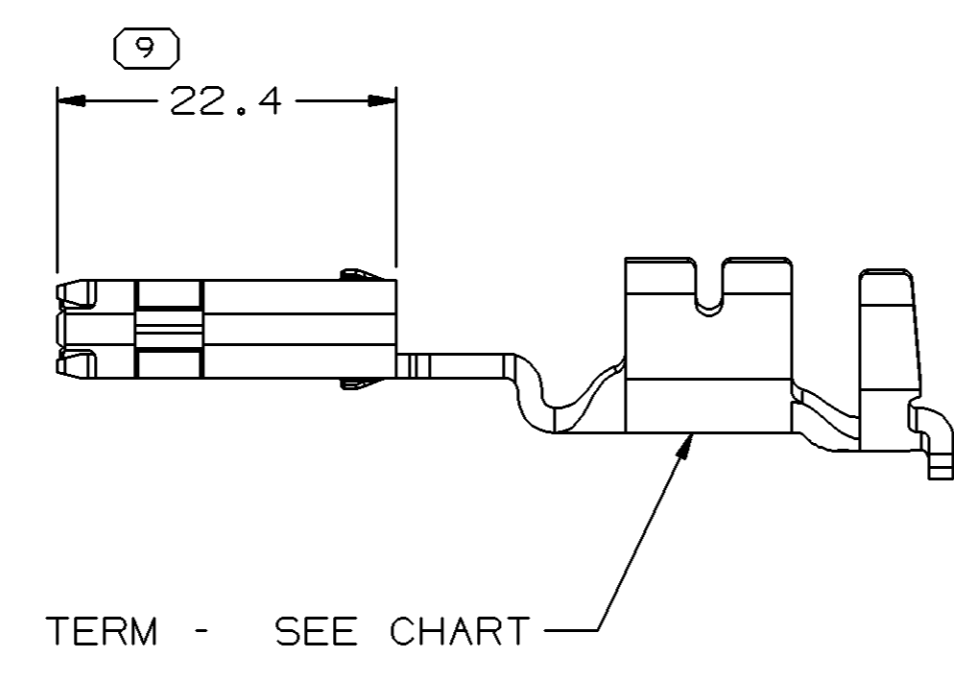
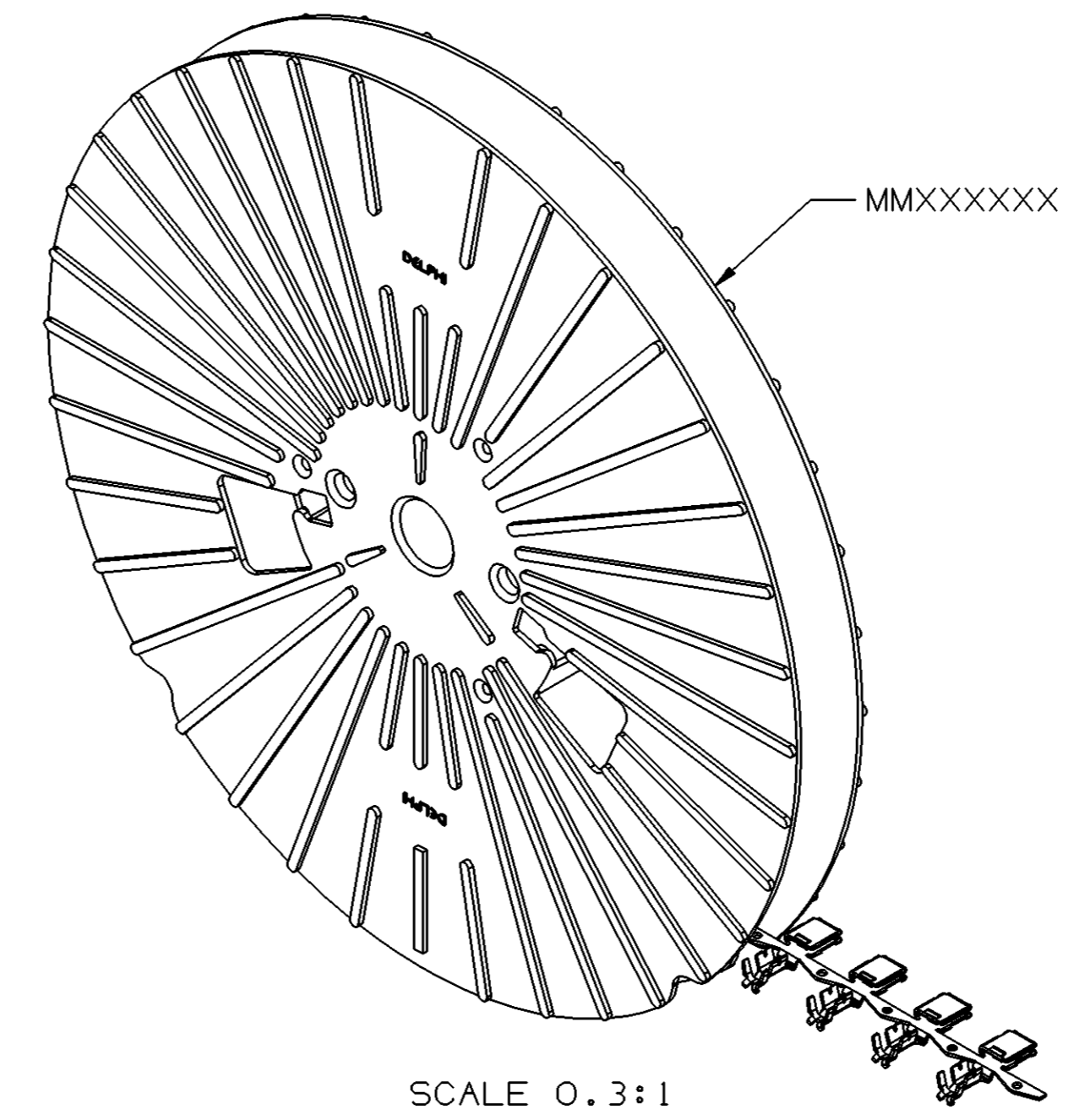
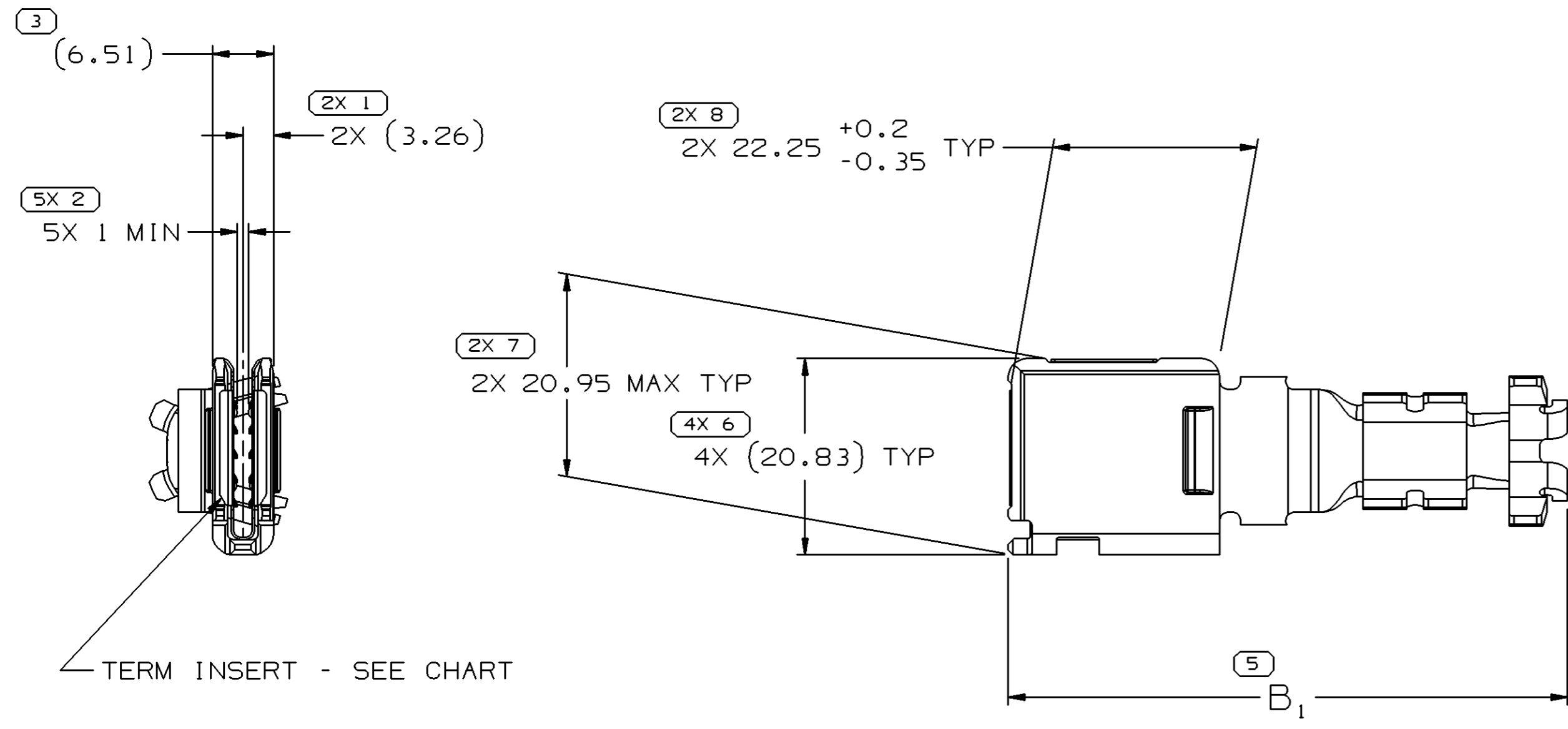


SYMBOL DEFINITION		MISSING SYMBOLS	
A DIMENSION WITHOUT AN INSPECTION REPORT SYMBOL () DOES NOT REQUIRE INSPECTION. IT MAY BE CONTROLLED ON THE INDIVIDUAL COMPONENT DRAWING.	TOTAL NO OF INSPECTIONS REQUIRED	18	4
	LAST NO. USED	9	

DWG STATUS					ZONE	REVISION HISTORY	AUTH	DR	APVD 1	APVD 2
DATE	STG	REV	N/P	CHG						
04MR05	R	01	-	-		13520912 WAS PE133030 AND RELEASED 13523152 WAS PE141866 AND RELEASED 13523153 WAS PE141867 AND RELEASED 13523154 WAS PE141868 AND RELEASED	264699	BRB	BRB	GD
04AU05	R	02	-	-		ALL PARTS - REVISED TERMINAL INSERT GRAPHICS TO LATEST REVISION	271006	RH	RH	GD
05AU05	R	03	-	-		ALL PARTS - DIM 2X 22.25 +0.2/-0.35 TYP WAS 2X 22.25 TYP, 2X 20.95 MAX TYP WAS 2X 20.73 MAX TYP, 4X (20.83) TYP WAS 4X (20.83) TYP; ADDED DIM 'B'; REMOVED DIM 5X 22.4 TYP	271100	RH	RH	GD
11N005	R	04	-	-		ALL PARTS - REVISED TERMINAL AND INSERT GRAPHICS TO LATEST REVISION	274648	MAK	MAK	GD



NOTES

- UNLESS OTHERWISE SPECIFIED AND/OR INDICATED:
DIMENSIONS ARE TO FACE OF VIEW SHOWN AND AUTOMATICALLY ROUNDED BY COMPUTER FOR INSPECTION (SEE MATH MODEL FOR PRECISE DIMENSIONS). FOR ALL OTHER DIMENSIONS NOT SHOWN BUT REQUIRED FOR TOOL BUILD, SEE MATH MODEL FOR PRECISE TOOL PATH DATA.
- REFERENCE MATING COMPONENTS OR EQUIVALENT:
TERMINAL 13520914
- DO NOT PROBE, TEST OR OTHERWISE CONTACT THE INTERIOR REGION (THE SPRING OR ANY MOVING PART) OF THIS TERMINAL. SEVERE DAMAGE CAN OCCUR, COMPROMISING THE PERFORMANCE OF THE ELECTRICAL INTERFACE.

ASM PART NO	REV	N/P	TERM	TERM INSERT	SIZE (MM ²)	ID	DIA	CONNECTOR MATE DIRECTION	B ₁
13523154	03	-	13513035	13520913	62	00	14.71 ±0.41	IN-LINE	(59.25)
13523153	03	-	13513034	13520913	40 TO 50	0	13.61 ±0.41	IN-LINE	(57.75)
13523152	03	-	13513033	13520913	32	2	10.75 ±0.41	IN-LINE	(57.75)
13520912	03	-	15496200	13520913	13 TO 19	5	8.43 ±0.41	IN-LINE	(57.25)

(9)	PROCESS SENSITIVE DIMENSION
DIMENSIONS ENCLOSED IN () INDICATE REFERENCE DIMENSIONS AND NO TOLERANCE LIMITS ARE ESTABLISHED	
DIMENSIONAL RANGE (MM)	CHART D
FROM 0 TO 12	>12
TOLERANCE UNLESS OTHERWISE SPECIFIED ±0.1 ±0.2	
ANGULAR TOLERANCE ±2°	

DWG TYPE PART DRAWING	
STYLE	
VOLUME (CM ³)	DISTR CODE D
UNLESS OTHERWISE SPECIFIED THIS DOCUMENT IS IN ACCORDANCE WITH ASME Y14.5M-1994 AS AMENDED BY THE GM GLOBAL DIMENSIONING AND TOLERANCING ADDENDUM-2001. SEPARATE PATTERNS OF FEATURES MAY BE GAGED SEPARATELY REGARDLESS OF DATUM REFERENCES.	
ALL DIMENSIONS ARE IN MILLIMETERS	
REFERENCE	
THIRD ANGLE PROJECTION	DO NOT SCALE
USE MATH DATA	UNIGRAPHICS

DELPHI
DELPHI PACKARD ELECTRIC SYSTEMS
WARREN, OH

DR	DATE
APVD1 BARRY BURNS	04MR05
APVD2 BARRY BURNS	04MR05
APVD3 GARY DETTER	07MR05
APVD4	
APVD5	

SUBSTANCES OF CONCERN AND RECYCLED CONTENT PER DELPHI 10949001

MATERIAL SEE DRAWINGS

DRAWING NAME
TAXI ASM TERM PWR PACK 2000 SEALED

DRAWING NUMBER
13523155

SIZE A1	SCALE 2:1	FRAME NO 1 OF 1	SHEET NO 1 OF 1	STG R	REV 04	N/P -
------------	--------------	--------------------	--------------------	----------	-----------	----------