

1326028-6 ✓ ACTIVE

AMP 0.64 Connector System

TE Internal #: 1326028-6

Automotive Terminals, Receptacle, Mating Tab Width .8 mm [.031 in], Tab Thickness .025 in [.64 mm], 22 AWG Wire Size, AMP 0.64 Connector System

[View on TE.com >](#)



Terminals & Splices > Automotive Terminals



Terminal Type: **Receptacle**

Mating Tab Width: **.8 mm [ .031 in ]**

Mating Tab Thickness: **.64 mm [ .025 in ]**

Terminal Transmits: **0 – 24 A (Low Power)**

Wire Size: **22 AWG**

### Features

#### Product Type Features

Receptacle Style	180°
Sealable	No

#### Contact Features

Contact Size	.64mm
Contact Fabrication	Stamped & Formed
Typical Current Rating	7.7 A
Crimp Type	F-Crimp
Terminal Type	Receptacle
Mating Tab Width	.8 mm[.031 in]
Mating Tab Thickness	.64 mm[.025 in]
Interface Plating	Gold (Au)
Contact Termination Area Plating Material	Gold (Au)

#### Termination Features

Termination Method to Wire & Cable	Crimp
------------------------------------	-------



Product Terminates To

Wire

### Dimensions

Wire Size

.3 mm<sup>2</sup>

Wire Size Search

22 AWG

Wire Insulation Diameter

1.2 – 1.75 mm [.047 – .068 in]

### Usage Conditions

Insulation Option

Uninsulated

Operating Temperature (Max)

80 °C, 85 °C, 90 °C, 100 °C, 105 °C, 110 °C,  
120 °C, 125 °C [176 °F] [185 °F] [194 °F] [212 °F]  
[221 °F] [230 °F] [248 °F] [257 °F]

Operating Temperature Range

-40 – 125 °C [-40 – 257 °F]

### Operation/Application

Compatible With Wire Base Material

Copper

### Industry Standards

Agency/Standard

SAE/USCAR-2

### Packaging Features

Packaging Method

Reel

Packaging Quantity

7000

### Other

Terminal Transmits

0 – 24 A (Low Power)

## Product Compliance

For compliance documentation, visit the product page on [TE.com](https://www.te.com)>

EU RoHS Directive 2011/65/EU

Compliant

EU ELV Directive 2000/53/EC

Compliant

China RoHS 2 Directive MIIT Order No 32, 2016

No Restricted Materials Above Threshold

EU REACH Regulation (EC) No. 1907/2006

Current ECHA Candidate List: JAN 2022  
(223)  
Candidate List Declared Against: JAN 2022  
(223)  
Does not contain REACH SVHC

Halogen Content

Low Halogen - Br, Cl, F, I < 900 ppm per  
homogenous material. Also BFR/CFR/PVC  
Free

Solder Process Capability

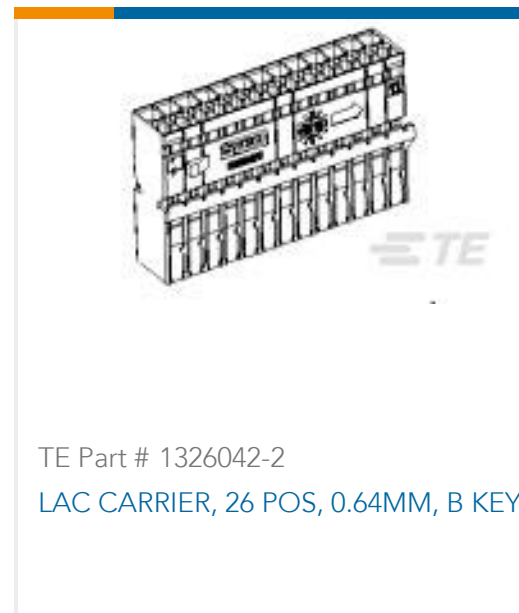
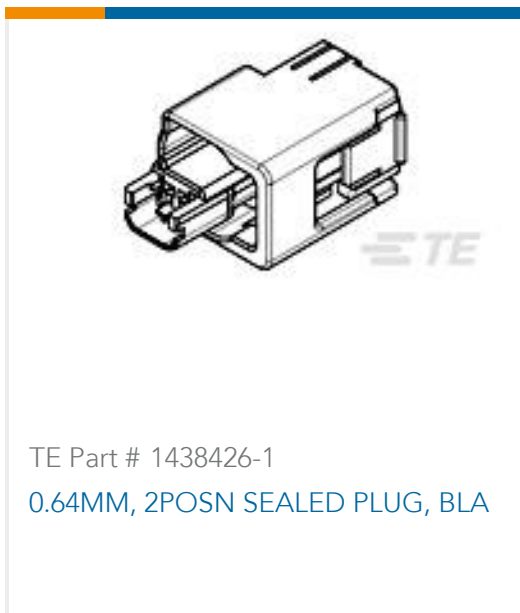
Not applicable for solder process capability

## Product Compliance Disclaimer

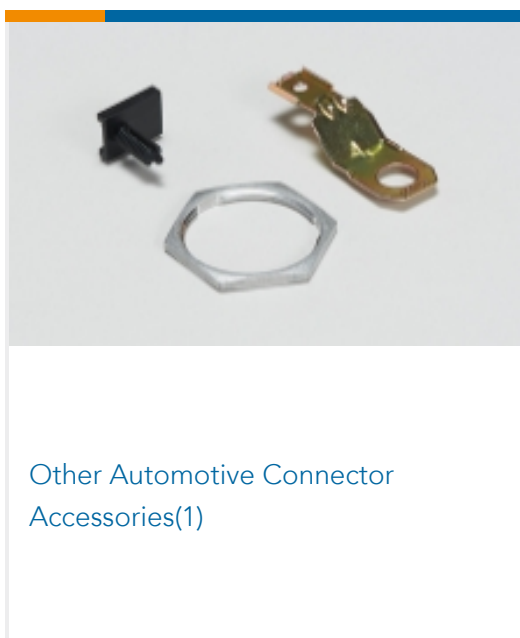
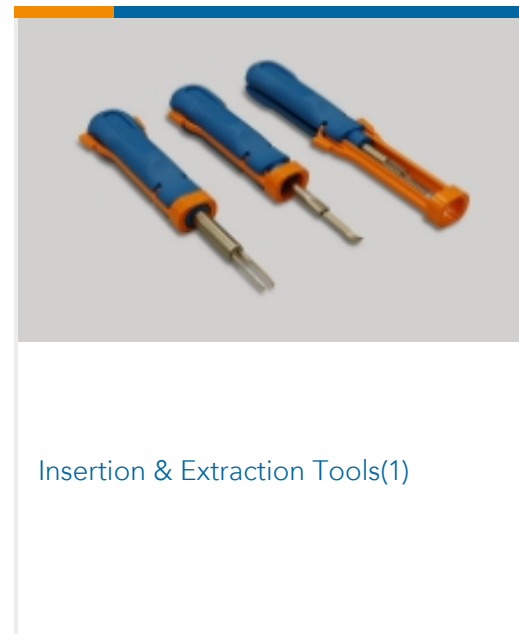
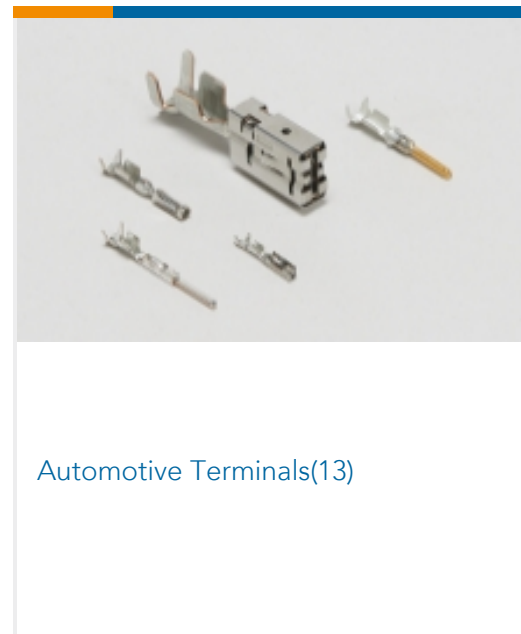
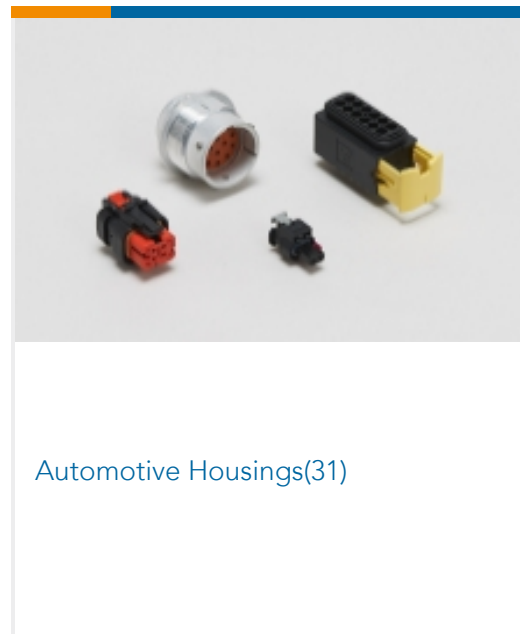
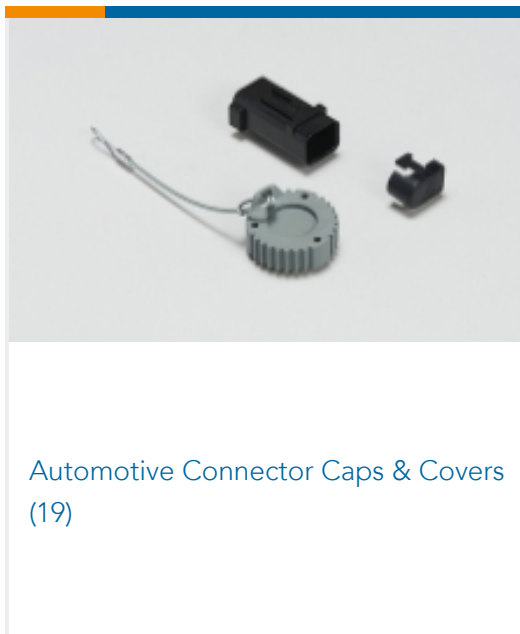
This information is provided based on reasonable inquiry of our suppliers and represents our current actual knowledge based on the information they provided. This information is subject to change. The part numbers that TE has identified as EU RoHS compliant have a maximum concentration of 0.1% by weight in homogenous materials for lead, hexavalent chromium, mercury, PBB, PBDE, DBP, BBP, DEHP, DIBP, and 0.01% for cadmium, or qualify for an exemption to these limits as defined in the Annexes of Directive 2011/65/EU (RoHS2). Finished electrical and electronic equipment products will be CE marked as required by Directive 2011/65/EU. Components may not be CE marked. Additionally, the part numbers that TE has identified as EU ELV compliant have a maximum concentration of 0.1% by weight in homogenous materials for lead, hexavalent chromium, and mercury, and 0.01% for cadmium, or qualify for an exemption to these limits as defined in the Annexes of Directive 2000/53/EC (ELV). Regarding the REACH Regulation, the information TE provides on SVHC in articles for this part number is based on the latest European Chemicals Agency (ECHA) 'Guidance on requirements for substances in articles' posted at this URL: <https://echa.europa.eu/guidance-documents/guidance-on-reach>

## Compatible Parts

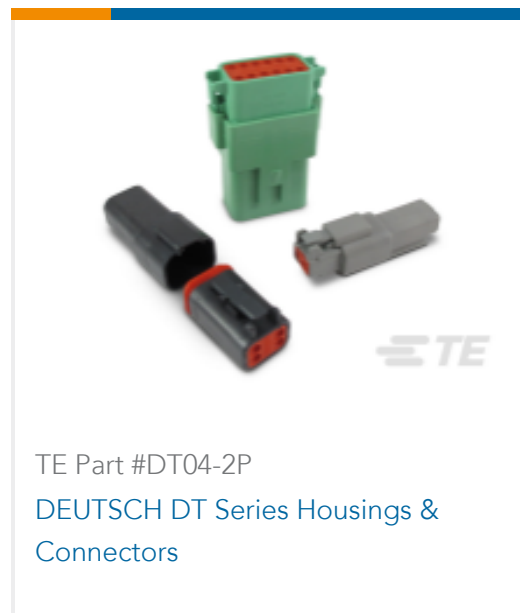
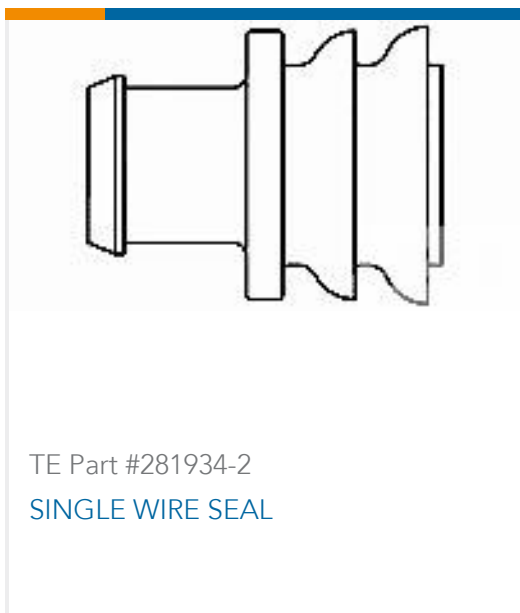
 <p>TE Part # 2005097-1 025 RECEPTACLE CONTACT</p>	 <p>TE Part # 1326017-9 0.64MM AIRBAG HEADER ASSEMBLY</p>	 <p>TE Part # 1326141-1 32WAY LAC RECEPTACLE CARRIER H</p>	 <p>TE Part # 1326042-1 LAC CARRIER, 26 POS, 0.64MM, A KEY</p>
 <p>TE Part # 1438454-1 0.64MM,3 POSN SEALED PLUG ASSY</p>	 <p>TE Part # 1326133-1 RECEPTACLE HOUSING, 18 POSITIO</p>	 <p>TE Part # 638394-4 ASSY,12P PLUG "D" KEY, W/O CPA</p>	 <p>TE Part # 638393-5 10P PLUG ASSY A KEY -W/ CPA</p>
 <p>TE Part # 1438426-3 0.64MM, 2POSN SEALED PLUG, GRA</p>	 <p>TE Part # 2031221-1 PRO-CRIMPER TOOL &amp; DIE</p>	 <p>TE Part # 2031221-2 PRO-CRIMPER DIE SET</p>	 <p>TE Part # 638394-1 ASSY,12P PLUG "A" KEY, W/O CPA</p>



## Also in the Series | AMP 0.64 Connector System



## Customers Also Bought





## Documents

### Product Drawings

[0.64MM FEMALE CONTACT,AU,22AWG](#)

English

### CAD Files

Customer View Model

[ENG\\_CVM\\_1326028-6\\_C.3d\\_igs.zip](#)

English

Customer View Model

[ENG\\_CVM\\_1326028-6\\_C.3d\\_stp.zip](#)

English

Customer View Model

[ENG\\_CVM\\_1326028-6\\_C.2d\\_dxf.zip](#)

English

### 3D PDF

English

By downloading the CAD file I accept and agree to the [Terms and Conditions](#) of use.

### Product Specifications

[Application Specification](#)

English

### Instruction Sheets

[Instruction Sheet \(U.S.\)](#)

English

[Instruction Sheet \(U.S.\)](#)

English

[Instruction Sheet \(U.S.\)](#)

English