

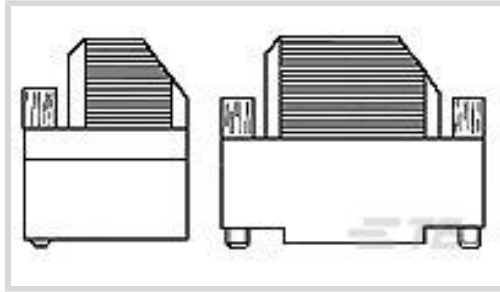
AMPLIMITE

TE Internal #: 1393738-2

D-Sub Backshells & Clamps, Backshell, Two-Piece RFI/EMI Shield, 15 Position, Size 2, Shielded, Cable Exit Angle 37.5°, Wire & Cable

[View on TE.com >](#)

Connectors > D-Shaped Connectors > D-Sub Accessories > D-Sub Backshells & Clamps

D-Shaped Connector Accessories: **Backshell**Cable Clamp Type: **Two-Piece RFI/EMI Shield**Number of Positions: **15**Compatible With Connector Shell Size: **2**Shielded: **Yes****Features****Product Type Features**

Grommets	Without
Slide Latch	Without
Product Type	Backshell/Cable Clamp
D-Shaped Connector Accessories	Backshell
Connector & Contact Terminates To	Wire & Cable

Configuration Features

Number of Positions	15
---------------------	----

Body Features

Shield Plating Material	Nickel over Copper
Cable Clamp Material	Thermoplastic with Shielding Plates
Color	Gray
Shield Plating Finish	Bright
Cable Clamp Type	Two-Piece RFI/EMI Shield
Cable Exit Angle	37.5°

Mechanical Attachment

Screw & Hole Thread Size	14702
--------------------------	-------

Dimensions

Cable Insulation Diameter Range	5 – 9 mm [.197 – .355 in]
---------------------------------	---------------------------



Operation/Application

Compatible With Connector Shell Size	2
Shielded	Yes

Packaging Features

Packaging Quantity	25
Packaging Method	Box & Tray, Tray

Other

Comment	Knurled screws, cable bushing (grommet) and contact tube must be ordered separately.
---------	--

Product Compliance

[For compliance documentation, visit the product page on TE.com>](#)

EU RoHS Directive 2011/65/EU	Compliant
EU ELV Directive 2000/53/EC	Compliant
China RoHS 2 Directive MIIT Order No 32, 2016	No Restricted Materials Above Threshold
EU REACH Regulation (EC) No. 1907/2006	Current ECHA Candidate List: JAN 2022 (223) Candidate List Declared Against: JAN 2022 (223) SVHC > Threshold: Perfluorobutane sulfonic acid (PFBS) and its salts (.16% in Component Part) Article Safe Usage Statements: Do not eat, drink or smoke when using this product. Wash thoroughly after handling. Recycle if possible and dispose of the article by following all applicable governmental regulations relevant to your geographic location.
Halogen Content	Low Halogen - Br, Cl, F, I < 900 ppm per homogenous material. Also BFR/CFR/PVC Free
Solder Process Capability	Not applicable for solder process capability

Product Compliance Disclaimer

This information is provided based on reasonable inquiry of our suppliers and represents our current actual knowledge based on the information they provided. This information is subject to change. The part numbers that TE has identified as EU RoHS compliant have a maximum concentration of 0.1% by weight in homogenous materials for lead, hexavalent chromium, mercury, PBB, PBDE, DBP, BBP, DEHP, DIBP, and 0.01% for cadmium, or qualify for an exemption to these limits as defined in the Annexes of Directive 2011/65/EU (RoHS2). Finished electrical and electronic equipment products will be CE marked as required by Directive 2011/65/EU. Components may not be CE marked. Additionally, the part numbers that TE has identified as EU ELV compliant have a maximum concentration of 0.1% by weight in homogenous materials for lead, hexavalent chromium, and mercury, and 0.01% for cadmium, or qualify for an exemption to these limits as defined in the Annexes of Directive 2000/53/EC (ELV). Regarding the REACH Regulation, the information TE provides on SVHC in articles for this part number is based on the latest European Chemicals Agency (ECHA) 'Guidance on requirements for substances in articles' posted at this URL: <https://echa.europa.eu/guidance-documents/guidance-on-reach>

Compatible Parts



TE Part # CAT-035-DCPPS201
D-Sub Crimp: Plug, Signal, 9 Posn, Pin Size 20, Shell Size 1



TE Part # CAT-AM7-248H3
IDC D-Sub: Plug Assembly, Wire to Wire, Signal, 2.77 mm



TE Part # CAT-AM7-248H8
IDC D-Sub: Receptacle Assembly, Wire to Wire, Signal, 2.74 mm



TE Part # CAT-038-DCRSS221
D-Sub Crimp Recpt Signal 15 Posn, Socket Size 22, Shell Size 1



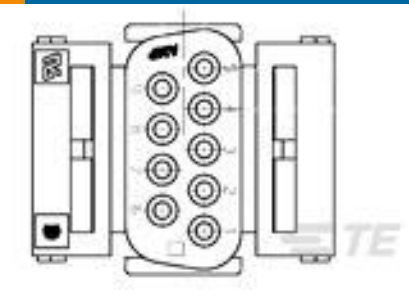
TE Part # CAT-035-DCRSS201
D-Sub Crimp Recpt Signal 9 Posn, Socket Size 20, Shell Size 1



TE Part # CAT-038-DCPPS221
D-Sub Crimp: Plug, Signal, 50 Posn, Pin Size 22, Shell Size 1



TE Part # 216164-1
15P.HDP22 REC.ASSY.



TE Part # 207752-3
9 CONTACT HSG



TE Part # 6-1393738-0
V42254A6004G115=SUB D GEHAEUSE



TE Part # 1658993-1
OVERMOLD,PLUG ASSY,HDP-22,15 POSN,W/CLIN



TE Part # 167292-2
09P.HDP20 PLUG ASSY



TE Part # 1888305-1
CRIMP SNAP RCPT ASSY,SIZE 1



TE Part # 1888306-1
15 HD22 CRIMP SNAP PLUG



TE Part # 1888308-1
CRIMP SNAP PLUG ASSY,SIZE 1



TE Part # 745202-1
09 HDE AP PLUG HSG

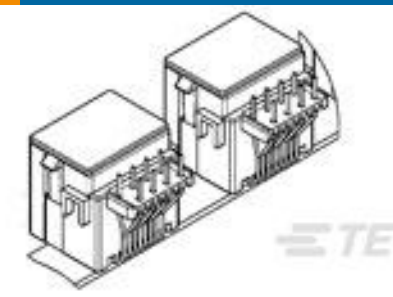
Customers Also Bought



TE Part # 2-2205133-3
CA MINI IO TYPE I IND RJ45



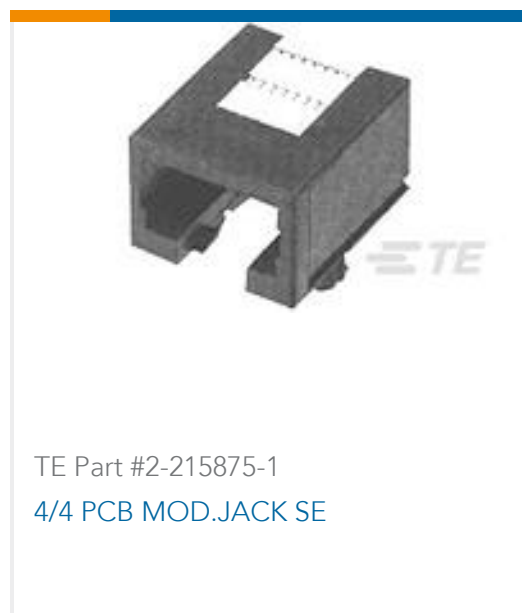
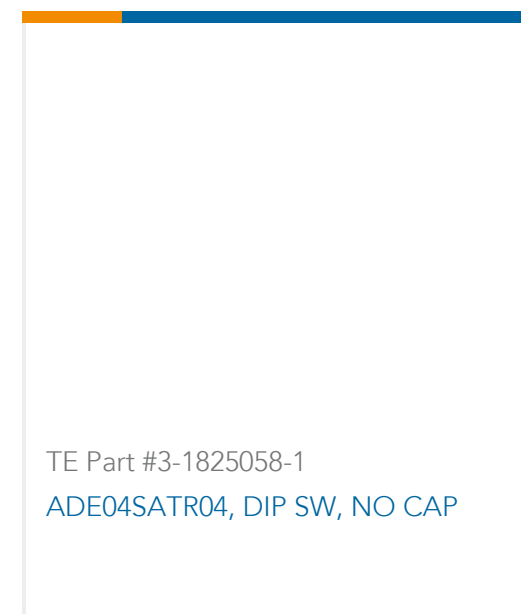
TE Part # 2-2205129-5
CA MINI IO TYPE I PIGTAIL



TE Part # 9-216444-9
SUBASSY FOR 4/4 PCB MOD.JACK B



TE Part # G-MRCO-037
CO KMT37 SO8 ANGLE ANALOG



Documents

Product Drawings

[V42254A6000G115=SUB D GEHAEUSE](#)

English

CAD Files

[3D PDF](#)

3D

Customer View Model

[ENG_CVM_CVM_1393738-2_B.2d_dxf.zip](#)

English

Customer View Model

[ENG_CVM_CVM_1393738-2_B.3d_igs.zip](#)

English

Customer View Model

[ENG_CVM_CVM_1393738-2_B.3d_stp.zip](#)

English

By downloading the CAD file I accept and agree to the [Terms and Conditions](#) of use.

Product Environmental Compliance

[TE Material Declaration](#)

English

Instruction Sheets

[mounting guideline for d-Sub housings](#)

English

[Instruction Sheet \(U.S.\)](#)

English

1393738-2

D-Sub Backshells & Clamps, Backshell, Two-Piece RFI/EMI Shield, 15 Position, Size 2, Shielded, Cable Exit Angle 37.5°, Wire & Cable

