

1411169-1 ✓ ACTIVE

AMP | [Get .64 Connector System](#)

TE Internal #: 1411169-1

Housing for Male Terminals, Wire-to-Wire, 8 Position, .1 in [2.54 mm] Centerline, Gray, Signal, Cable Mount (Free-Hanging), Get .64 Connector System

[View on TE.com >](#)



Connectors > Automotive Connectors > Connector Housings > GET .64 CONNECTOR SYSTEM, CONNECTOR HSG



Connector & Housing Type: **Housing for Male Terminals**

Mating Tab Width: **.64 mm [.025 in]**

Connector System: **Wire-to-Wire**

Number of Positions: **8**

Centerline (Pitch): **2.54 mm [.1 in]**

[All GET .64 CONNECTOR SYSTEM, CONNECTOR HSG \(106\)](#)

Features

Product Type Features

Connector & Housing Shape	Rectangular
Connector & Housing Type	Housing for Male Terminals
Connector System	Wire-to-Wire
Sealable	No
Hybrid Connector	No
Primary Locking Feature	Integrated in Housing

Configuration Features

Number of Positions	8
Number of Rows	2

Electrical Characteristics

Operating Voltage	14 VDC
Nominal Voltage Architecture	12 V

Body Features

Cable Exit Angle	180°
Body Material	PA GF
Primary Product Color	Gray
Connector Code	A



Contact Features

Contact Size	.64mm
Contact Type	Tab
Mating Tab Width	.64 mm[.025 in]

Mechanical Attachment

Mounting Feature	Without
Terminal Position Assurance	Yes
Strain Relief	Without
Mating Alignment Type	Keyed
Mating Alignment	With
Connector Mounting Type	Cable Mount (Free-Hanging)

Housing Features

Centerline (Pitch)	2.54 mm[.1 in]
--------------------	----------------

Dimensions

Product Width	34.95 mm[1.376 in]
Product Length	16.02 mm[.631 in]
Product Height	20.42 mm[.804 in]
Row-to-Row Spacing	5.5 mm[.217 in]

Usage Conditions

Operating Temperature (Max)	70 °C, 75 °C, 80 °C, 85 °C, 90 °C, 100 °C [158 °F][167 °F][176 °F][185 °F][194 °F][212 °F]
Operating Temperature Range	-40 – 100 °C[-40 – 212 °F]

Operation/Application

Circuit Application	Signal
---------------------	--------

Packaging Features

Packaging Quantity	1000
Packaging Method	Box

Other

Serviceable	Yes
Connector Position Assurance Capable	No

Product Compliance

[For compliance documentation, visit the product page on TE.com>](#)

EU RoHS Directive 2011/65/EU	Compliant
EU ELV Directive 2000/53/EC	Compliant
China RoHS 2 Directive MIIT Order No 32, 2016	No Restricted Materials Above Threshold
EU REACH Regulation (EC) No. 1907/2006	Current ECHA Candidate List: JAN 2022 (223) Candidate List Declared Against: JAN 2022 (223) Does not contain REACH SVHC
Halogen Content	Low Halogen - Br, Cl, F, I < 900 ppm per homogenous material. Also BFR/CFR/PVC Free
Solder Process Capability	Not applicable for solder process capability

Product Compliance Disclaimer

This information is provided based on reasonable inquiry of our suppliers and represents our current actual knowledge based on the information they provided. This information is subject to change. The part numbers that TE has identified as EU RoHS compliant have a maximum concentration of 0.1% by weight in homogenous materials for lead, hexavalent chromium, mercury, PBB, PBDE, DBP, BBP, DEHP, DIBP, and 0.01% for cadmium, or qualify for an exemption to these limits as defined in the Annexes of Directive 2011/65/EU (RoHS2). Finished electrical and electronic equipment products will be CE marked as required by Directive 2011/65/EU. Components may not be CE marked. Additionally, the part numbers that TE has identified as EU ELV compliant have a maximum concentration of 0.1% by weight in homogenous materials for lead, hexavalent chromium, and mercury, and 0.01% for cadmium, or qualify for an exemption to these limits as defined in the Annexes of Directive 2000/53/EC (ELV). Regarding the REACH Regulation, the information TE provides on SVHC in articles for this part number is based on the latest European Chemicals Agency (ECHA) 'Guidance on requirements for substances in articles' posted at this URL: <https://echa.europa.eu/guidance-documents/guidance-on-reach>

Compatible Parts

 <p>TE Part # 1411168-1 MARKET2X4FEM.UNSEA</p>	 <p>TE Part # 1456987-1 2x4 Fem unsealed LP assy Key A</p>	 <p>TE Part # 2321456-1 L663 WIRING HARNESS HIGH SPEC</p>
---------------------------------------------------------------------------------------------------------------------------------------	---------------------------------------------------------------------------------------------------------------------------------------------------	----------------------------------------------------------------------------------------------------------------------------------------------------

Also in the Series | [Get .64 Connector System](#)



Automotive Connector Caps & Covers (7)



Automotive Housings(108)



Automotive Terminals(30)



Insertion & Extraction Tools(1)

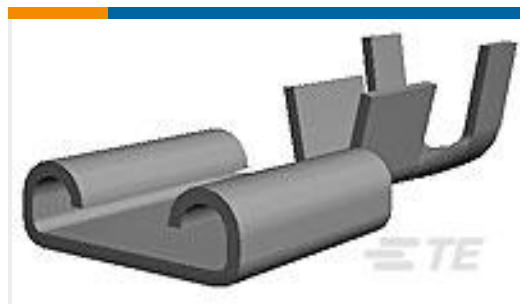


PCB Headers & Receptacles(1)

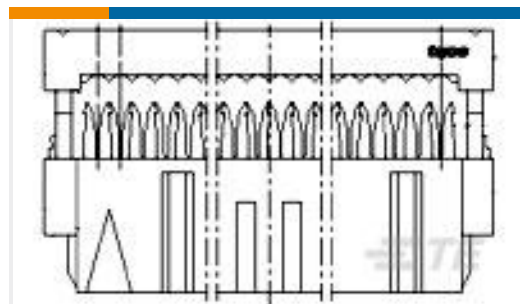
Customers Also Bought



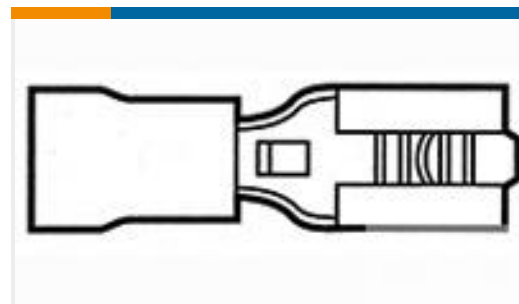
TE Part #180464-2
250 FASTON,FLAG,REC.,14-17AWG, LATON



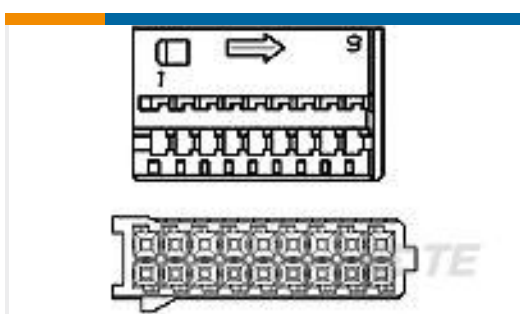
TE Part #5-160432-4
250 FASTON REC 20-16 AWG TPBR



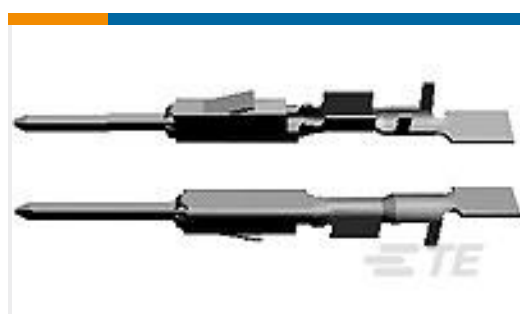
TE Part #2-215882-6
26 WAY GREY MK II RECP



TE Part #9-160481-1
4,8 PIDG FASTON REC



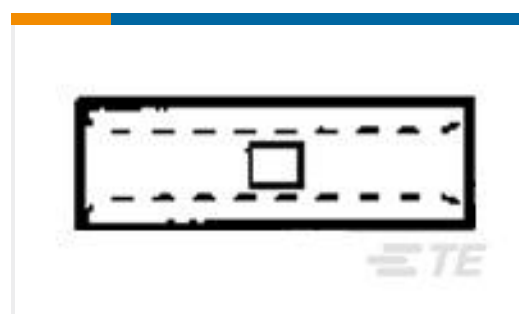
TE Part #1355348-1
18POS MQS REC



TE Part #5-963716-1
MQS0,63 Sn tab LL unseal. 0,5-0,75



TE Part #6-1419166-2
1X4MALE IL ASSY "B"



TE Part #323796
SOLIS BUTT HR 22-16COM22-18MIL



TE Part #280050-2
250 FASTON,FLAG,REC.,16-20 AWG, TPBR



TE Part #3257456002
RBK-VWS-125-NR2-X-50MM

Documents



Product Drawings

MARKET2X4MAL UNSEAL

English

CAD Files

Customer View Model

[ENG_CVM_CVM_1411169-1_D.2d_dxf.zip](#)

English

3D PDF

3D

Customer View Model

[ENG_CVM_CVM_1411169-1_D.3d_igs.zip](#)

English

Customer View Model

[ENG_CVM_CVM_1411169-1_D.3d_stp.zip](#)

English

By downloading the CAD file I accept and agree to the [Terms and Conditions](#) of use.

Datasheets & Catalog Pages

GET 0.64 Interconnection System

English

Instruction Sheets

Instruction Sheet (U.S.)

English