

1379324-1 ✓ ACTIVE

AMP | Timer Connector System

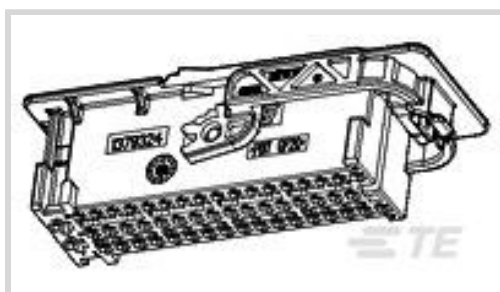
TE Internal #: 1379324-1

Housing for Female Terminals, Wire-to-Wire, 52 Position, .138 in [3.5 mm] Centerline, Black, Signal, Timer Connector System

[View on TE.com >](#)



Connectors > Automotive Connectors > Connector Housings > TIMER, CONNECTOR HOUSING



Connector & Housing Type: **Housing for Female Terminals**

Mating Tab Width: **1.6 mm, 2.8 mm [.063 in, .11 in]**

Connector System: **Wire-to-Wire**

Number of Positions: **52**

Centerline (Pitch): **3.5 mm [.138 in]**

[All TIMER, CONNECTOR HOUSING \(543\)](#)

Features

Product Type Features

Connector & Housing Shape	Rectangular
Connector & Housing Type	Housing for Female Terminals
Connector System	Wire-to-Wire
Sealable	No
Hybrid Connector	Yes
Primary Locking Feature	On the Terminal

Configuration Features

Number of Positions	52
Number of Rows	2

Electrical Characteristics

Operating Voltage	16 VDC
Nominal Voltage Architecture	12 V

Body Features

Cable Exit Angle	180°
Body Material	PBT GF
Primary Product Color	Black

Contact Features



Contact Size	1.5mm, 2.8mm
Contact Type	Receptacle
Mating Tab Width	1.6 mm, 2.8 mm [.063 in] [.11 in]

Mechanical Attachment

Mounting Feature	Without
Terminal Position Assurance	No
Strain Relief	Add By Accessory
Mating Alignment Type	Keyed
Mating Alignment	With
Connector Mounting Type	Cable Mount (Free-Hanging)

Housing Features

Centerline (Pitch)	3.5 mm [.138 in]
--------------------	------------------

Dimensions

Product Width	23.5 mm [.925 in]
Product Length	83 mm [3.268 in]
Product Height	30.4 mm [1.197 in]
Row-to-Row Spacing	5.5 mm, 7.6 mm [.217 in] [.299 in]

Usage Conditions

Operating Temperature (Max)	70 °C [158 °F]
Operating Temperature Range	-40 – 70 °C [-40 – 158 °F]

Operation/Application

Circuit Application	Signal
---------------------	--------

Industry Standards

UL Flammability Rating	UL 94HB
------------------------	---------

Packaging Features

Packaging Method	Box
------------------	-----

Other

Serviceable	No
Connector Position Assurance Capable	No

Product Compliance

[For compliance documentation, visit the product page on TE.com>](#)



EU RoHS Directive 2011/65/EU	Compliant
EU ELV Directive 2000/53/EC	Compliant
China RoHS 2 Directive MIIT Order No 32, 2016	No Restricted Materials Above Threshold
EU REACH Regulation (EC) No. 1907/2006	Current ECHA Candidate List: JAN 2022 (223) Candidate List Declared Against: JAN 2022 (223) Does not contain REACH SVHC
Halogen Content	BFR/CFR/PVC Free, but Br/Cl >900 ppm in other sources.
Solder Process Capability	Not reviewed for solder process capability

Product Compliance Disclaimer

This information is provided based on reasonable inquiry of our suppliers and represents our current actual knowledge based on the information they provided. This information is subject to change. The part numbers that TE has identified as EU RoHS compliant have a maximum concentration of 0.1% by weight in homogenous materials for lead, hexavalent chromium, mercury, PBB, PBDE, DBP, BBP, DEHP, DIBP, and 0.01% for cadmium, or qualify for an exemption to these limits as defined in the Annexes of Directive 2011/65/EU (RoHS2). Finished electrical and electronic equipment products will be CE marked as required by Directive 2011/65/EU. Components may not be CE marked. Additionally, the part numbers that TE has identified as EU ELV compliant have a maximum concentration of 0.1% by weight in homogenous materials for lead, hexavalent chromium, and mercury, and 0.01% for cadmium, or qualify for an exemption to these limits as defined in the Annexes of Directive 2000/53/EC (ELV). Regarding the REACH Regulation, the information TE provides on SVHC in articles for this part number is based on the latest European Chemicals Agency (ECHA) 'Guidance on requirements for substances in articles' posted at this URL: <https://echa.europa.eu/guidance-documents/guidance-on-reach>

Compatible Parts



TE Part # CAT-T4827-T273
TIMER, RECEPTACLE AND TAB



TE Part # 1379325-1
52W HYB TAB HSG BLACK



TE Part # 144432-1
JPT F REC 2.8 Contact SRC Sn



TE Part # 1379326-1
COVER FOR 52W HYB CONNECT


Also in the Series | Timer Connector System




Automotive Connector Caps & Covers (11)



Automotive Connector Locks & Position Assurance(16)



Automotive Housings(219)



Automotive Seals & Cavity Plugs(31)



Automotive Terminals(140)



Crimp Terminal Housings(13)



Insertion & Extraction Tools(20)



Other Automotive Connector Accessories(1)



PCB Headers & Receptacles(78)



Quick Disconnects(4)

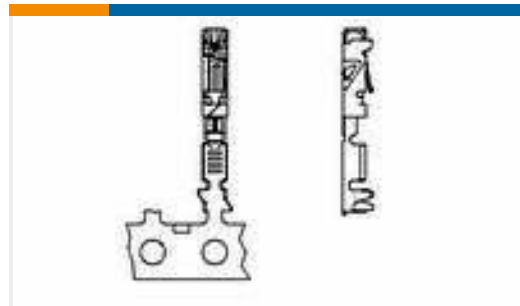
Customers Also Bought



TE Part #1379671-1
TH/.025 CONNECTOR SYSTEM,
HOUSING



TE Part #282788-6
SPLASH-PROOF CONN W.S.L. 2P TY



TE Part #1-1411552-1
ELOSTD M5300Y55



TE Part #1544650-1
PC 2V 8NG1 NOIR JT



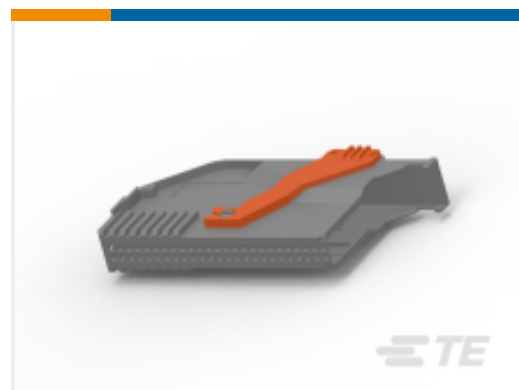
TE Part #1801433-1
RCPT CONT, 8MM NG1+, MAXIFUSE,
7-10 MM2



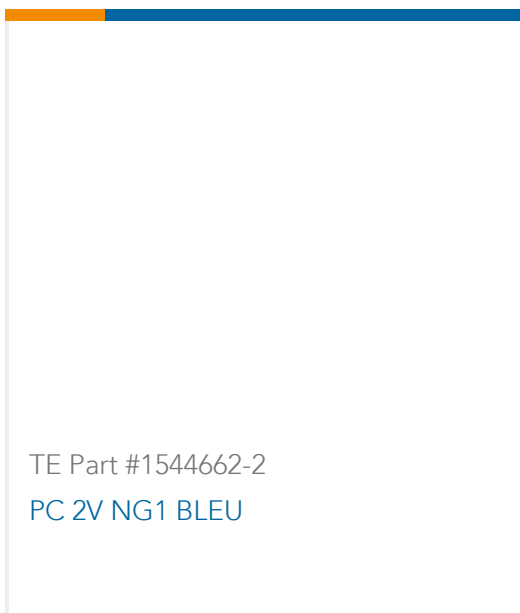
TE Part #1801764-1
FUSES AND RELAYS HOLDER, 36
MINIFUSES V2



TE Part #3-1393387-2
BUCHSENGEH 50P



TE Part #7-1393448-7
50P COVER CAP



TE Part #1544662-2
PC 2V NG1 BLEU

Documents



Product Drawings

52W HYB REC HSG ASSY BLAC

English

CAD Files

Customer View Model

[ENG_CVM_CVM_1379324-1_D.2d_dxf.zip](#)

English

3D PDF

3D

Customer View Model

[ENG_CVM_CVM_1379324-1_D.3d_igs.zip](#)

English

Customer View Model

[ENG_CVM_CVM_1379324-1_D.3d_stp.zip](#)

English

By downloading the CAD file I accept and agree to the [Terms and Conditions](#) of use.

Datasheets & Catalog Pages

Timer Interconnection System

English

Product Specifications

Product Specification

French

Product Environmental Compliance

Product Compliance

English

Product Compliance

English

Instruction Sheets

Instruction Sheet (non U.S.)

English