

SINGLE ROW VERTICAL SOCKET HEADER



1378 SERIES. 1.27 mm (0.050") pitch.

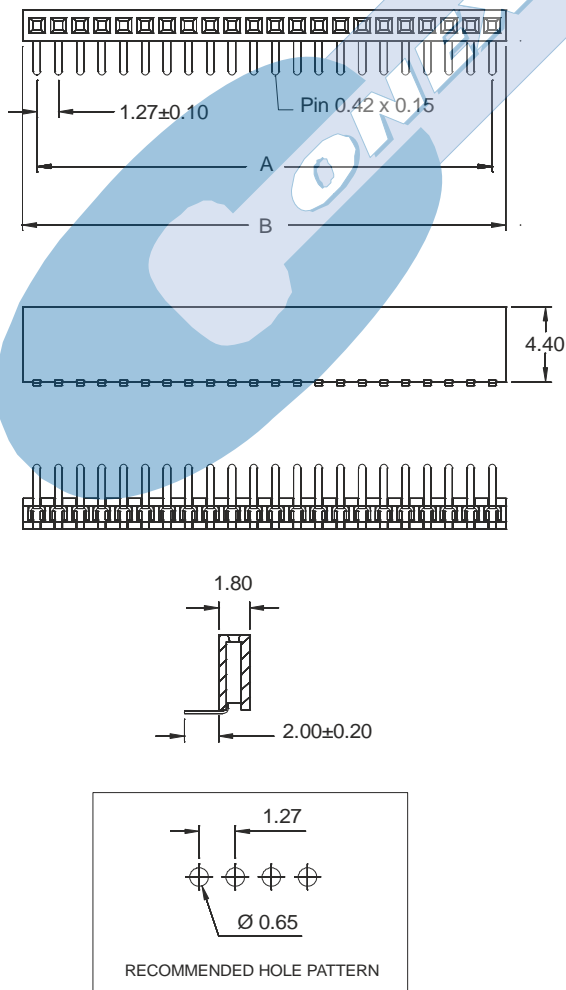
General Features

- Available in 2 through 40 circuits
- Mates with pin headers 1.27 mm pitch, 1350, 1351, 1352, 1353 and 1374 series
- Accept 0.40 square pin
- Low profile 1.80 mm high
- Dual beam contact with different plating

Materials

- Insulator: Polyester LCP UL 94 V-0
- Contact: Phosphor bronze
- Operating temperature: -40°C to +105°C
- RoHS compliant

Dimension Information

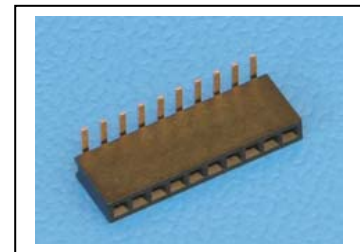


Electrical Features

- Voltage rating: < 100V
- Current rating: < 1 A
- Contact resistance: < 20 mΩ
- Dielectric withstanding Voltage: 300 V AC/minute
- Insulation resistance: >1000 MΩ
- Capacitance: < 2 pF at 1 KHz

Mechanical Features

- Insertion force receptacle/plug: < 0,20 Kgf/pin
- Unmating force receptacle/plug: > 0,015 Kgf/pin
- Contact retention force to housing: > 0,15 Kgf/pin
- Durability: 50 cycles



Ordering Information:

1378 - T- XX- 1
 1 2 3

1. Connector Series

2. (T) Contact Plating

- T = 2. Tin plated
- T = 3. Gold flash over nickel
Recommended Finish
- T = 5. 15μ" gold over nickel
- T = 6. 30μ" gold over nickel

3. (XX) Circuit Size

- Available in 2 through 40 circuits

Dimensions: (In mm.)

A = 1.27 x (XX*-1)

B = 1.27 x (XX)+0.35

* XX (Number of circuits per row)