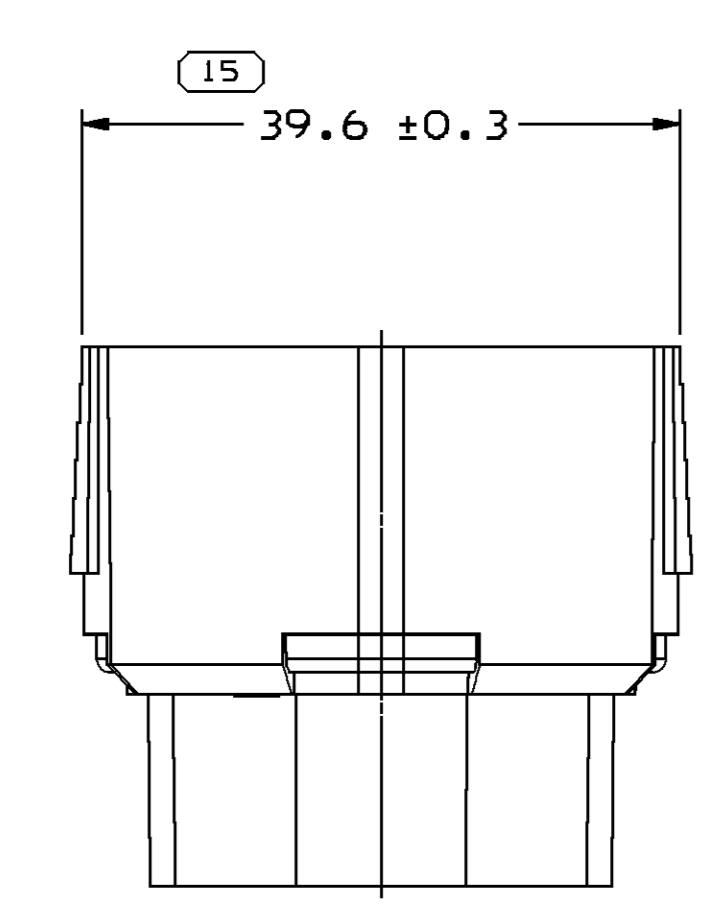
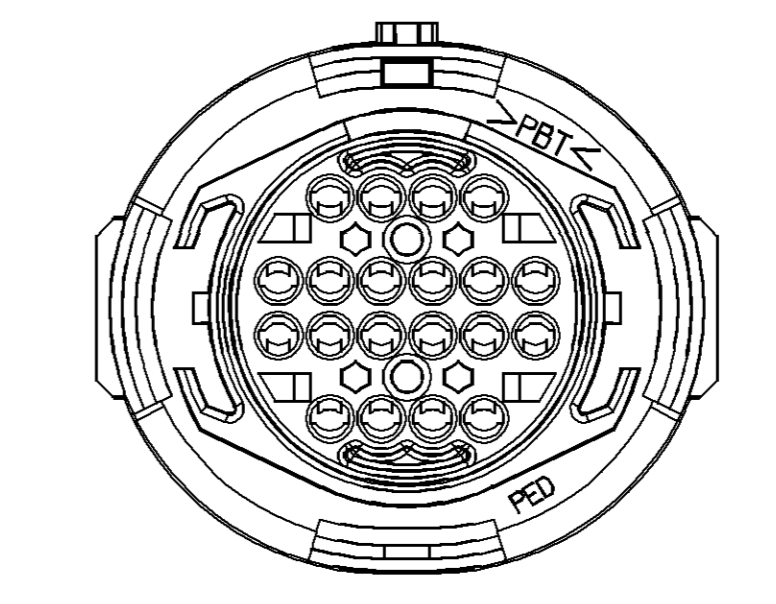
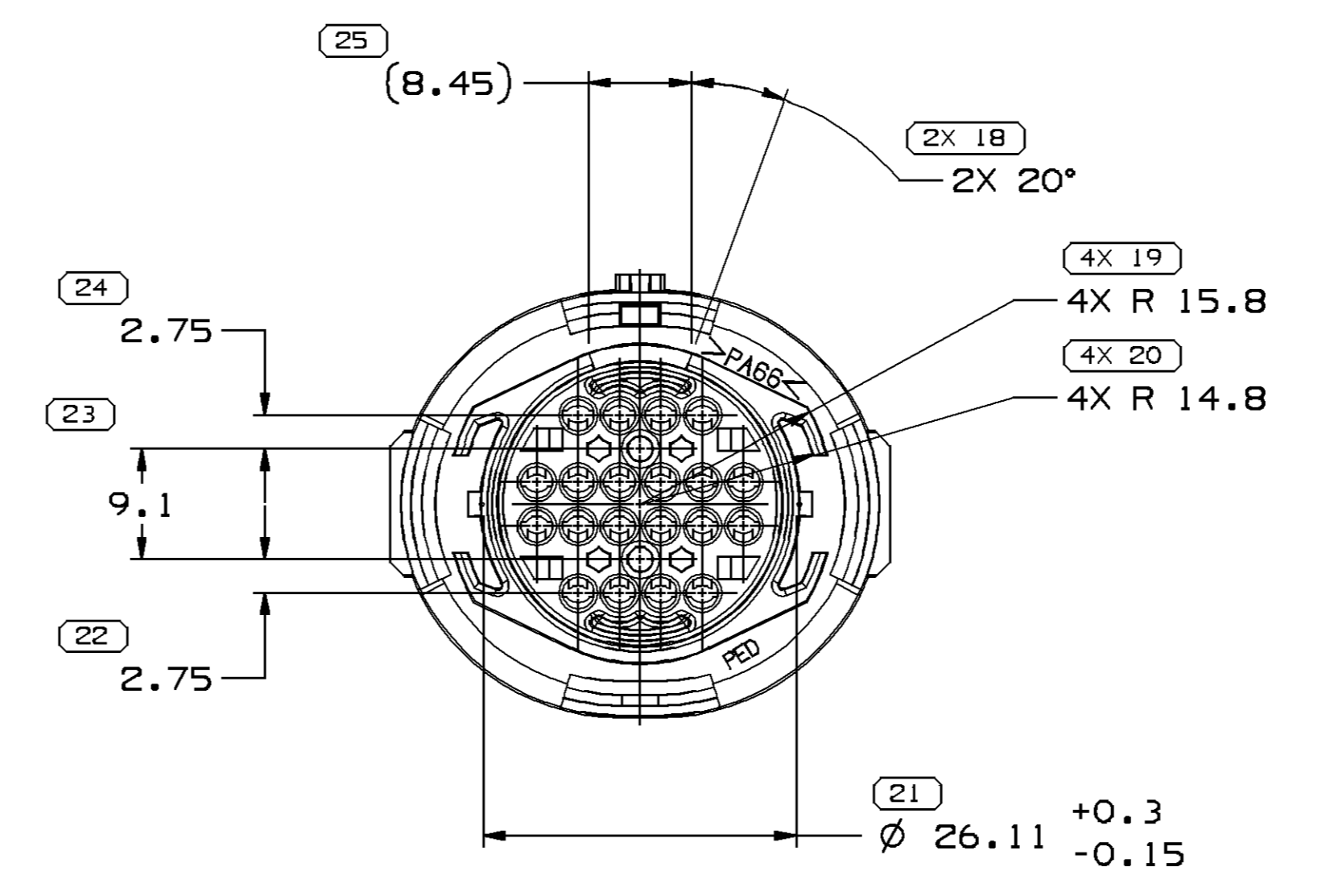
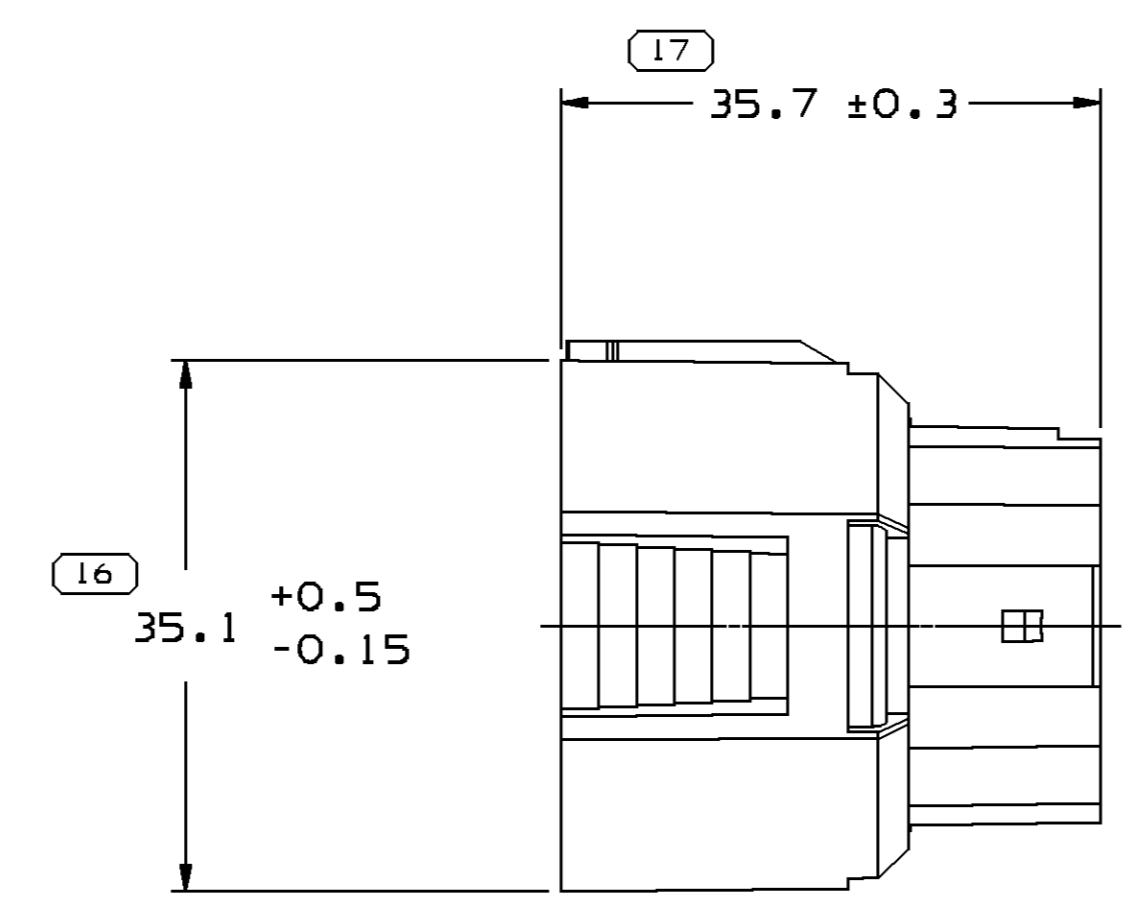
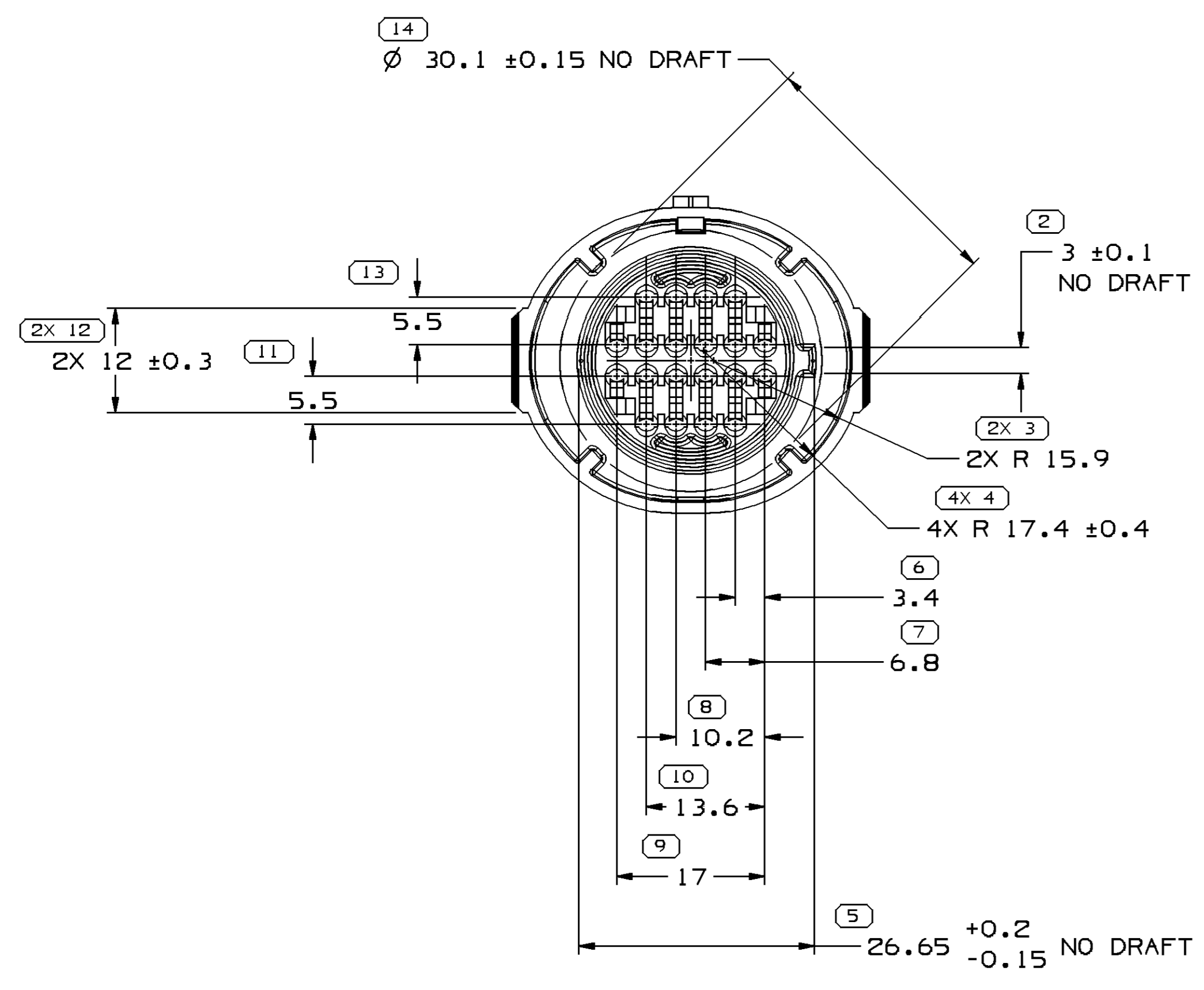
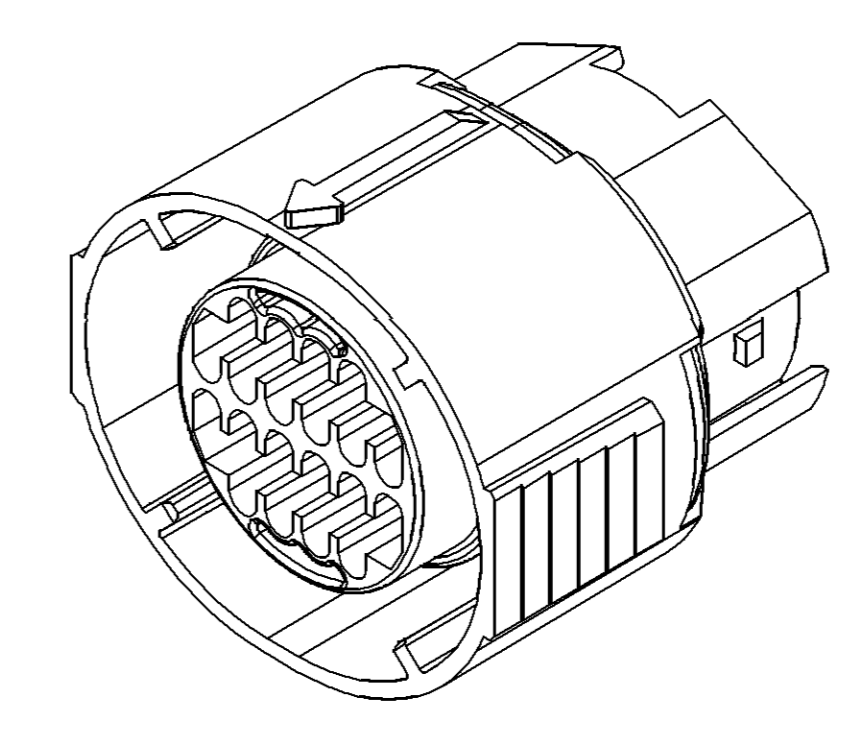
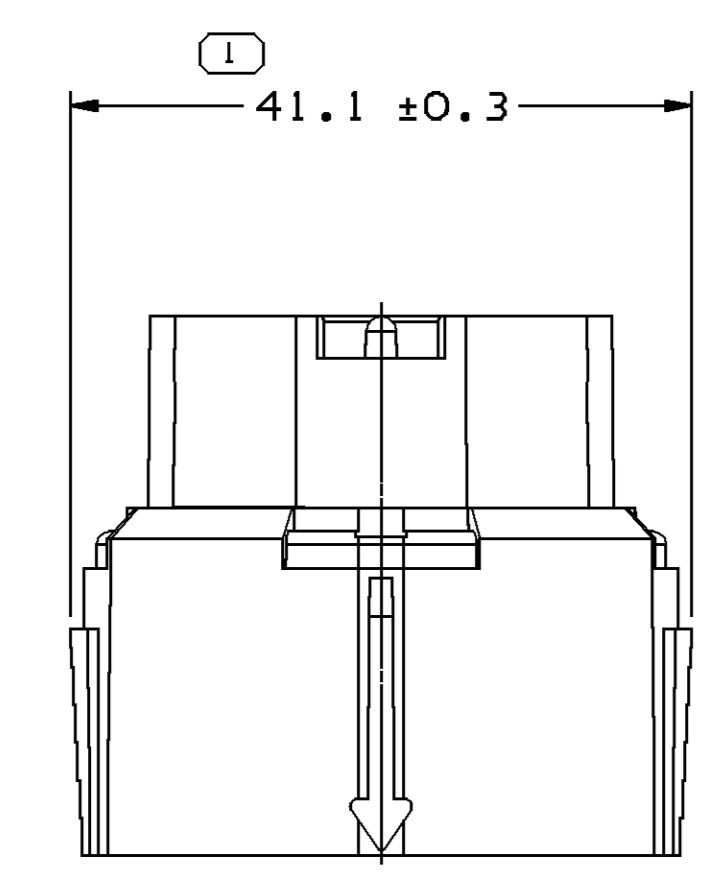


SYMBOL DEFINITION		TOTAL NO OF INSPECTIONS REQUIRED	37
A DIMENSION WITHOUT AN INSPECTION REPORT SYMBOL () DOES NOT REQUIRE INSPECTION. IT MAY BE CONTROLLED ON THE INDIVIDUAL COMPONENT DRAWING.		LAST NO. USED	25

MISSING SYMBOLS		NO MISSING SYMBOL NUMBER	
DATE	STG	REV	N/P
26JL06	R	01	-
22AU06	R	02	-
18JA07	R	03	-
07JN07	R	04	-



- NOTES
- UNLESS OTHERWISE SPECIFIED AND/OR INDICATED: DIMENSIONS ARE TO FACE OF VIEW SHOWN AND AUTOMATICALLY ROUNDED BY COMPUTER FOR INSPECTION (SEE MATH MODEL FOR PRECISE DIMENSIONS). FOR ALL OTHER DIMENSIONS NOT SHOWN BUT REQUIRED FOR TOOL BUILD, SEE MATH MODEL FOR PRECISE TOOL PATH DATA.
 - PARTS SHOWN ON THIS DRAWING USED IN ASSEMBLIES SHOWN ON TAXI 12160489 (SHEET 1).
 - MATERIAL RECYCLING CODE PER ISO 11469. (1.5)(X)(0.1) RAISED CHARACTERS AS SHOWN TO BE LOCATED ON ANY EXTERIOR SURFACE. OPTIONAL CONSTRUCTION TO BE NO MATERIAL RECYCLING CODE.
 - REFERENCE MATING COMPONENTS OR EQUIVALENT: CONNECTOR - 12160542 OR 12160781
 - THIS PART ACCEPTS THE FOLLOWING COMPONENTS OR EQUIVALENT: TERMINAL 12084912 MAX INSULATION CRIMP MUST BE LESS THAN 2.1 HIGH AND 2.3 WIDE. SECONDARY TERMINAL LOCK - 12160494 MAX CABLE O.D. 2.12 MM (0.8 TWL) CONDUIT CLIP - 12110725 OR 12176394 CABLE SEAL 12129324
 - (1.3)(X)(0.1) RAISED DELPHI CORPORATE BRAND TO BE LOCATED ON ANY EXTERIOR SURFACE, PREFERABLY VISIBLE AT FINAL ASSEMBLY. OPTIONAL CONSTRUCTION TO BE "PED" OR NO LOGO.
 - HYGROSCOPIC MATERIALS ABSORB AND RELEASE MOISTURE DEPENDING ON THE RELATIVE HUMIDITY OF THE ENVIRONMENT. HYGROSCOPIC POLYMERS SUCH AS PA6 AND PA66 INYLONS IN GENERAL) REQUIRE PROPER STORAGE AND PACKAGING. EVERY EFFORT IS MADE BY DELPHI PACKARD TO CORRECTLY PACKAGE THIS PRODUCT AT INITIAL SHIPMENT FROM THE DELPHI PRODUCING PLANT. FAILURE TO PROTECT COMPONENTS COMPOSED OF HYGROSCOPIC MATERIALS DURING SUBSEQUENT HANDLING, STORAGE AND PACKAGING, PARTICULARLY IN HIGH HUMIDITY ENVIRONMENTS CAN RESULT IN DIMENSIONAL CHANGE FOR WHICH DELPHI WILL NOT BE LIABLE.

PART NO	REV	N/P	STATUS	MATERIAL SPECIFICATION AND COLOR	TYPE	VOL (CM ³)
13595247	01	AC		M4695003 PBT HS IM GRA	102	13.295
12160280	A7	-		M3592025 PA66 HS GRA MD	101	13.295

DWG TYPE PART DRAWING		DISTR CODE D	
VOLUME (C/P) SEE CHART		UNLESS OTHERWISE SPECIFIED THIS DOCUMENT IS IN ACCORDANCE WITH ASME Y14.5M-1994 AS MODIFIED BY THE IN-SITU DIMENSIONING AND TOLERANCE ADDENDUM-001. SEPARATE WRITINGS OF FEATURES MAY BE BASED SEPARATELY PER-RELEASE OF DATUM REFERENCES.	
ALL DIMENSIONS ARE IN MILLIMETERS		THIRD ANGLE PROJECTION	
DO NOT SCALE		USE MATH DATA	
DIMENSIONAL RANGE (MM)		SHORT ET	
FROM	> 0	> 30	> 70
TO	20	70	100
	100	150	200
	200	250	300
	300	400	
TOLERANCE UNLESS OTHERWISE SPECIFIED		ANGULAR TOLERANCE 2°	
± 0.15	± 0.2	± 0.3	± 0.4
± 0.5	± 0.6	± 0.8	± 1.2

DELPHI
DELPHI PACKARD ELECTRICAL/ELECTRONIC ARCHITECTURE
WVREN, OH

DR	DATE
APV01 RICARDO MARTINEZ	26JL06
APV02 J. VILLAMIL	28JL06
APV03 CHRIS DEPROFIO	01AU06
APV04	
APV05	

WATERLAIN SEE CHART

DRAWING NAME
TAXI CONN F MIC/P 100W SLD

DRAWING NUMBER
13595416

SIZE AD 2:1

SCALE 2:1

FRAME NO 1 OF 1

SHEET NO 1 OF 1

REV N/P R 04